

Cooper Bussmann

- Homepage
- About Cooper Bussmann
- Contact Us
- Privacy
- Legal
- Cooper Bussmann® Brand
- Site Map



FNM-6

Time-Delay Supplementary Fuses, 13/32 x 1-1/2 Inches

Product Information

| | |
|------------------|-------------------------|
| Product Type: | Fuse |
| Product Family: | Electrical Power |
| Upgrade Product: | LP-CC-6 |
| Brand: | Cooper Bussmann |
| Sub-brand: | Fusetron |

Certifications

- [UL Listed](#)
- [CSA Certified](#)

Recommended Products

| | |
|-------------------------------|-------------------------------|
| Rec. Fuse Block: | BM603 Series |
| Rec. Inline Fuse Holder: | HPS |
| Rec. Panel-mount Fuse Holder: | HEB Series |
| Rec. Modular Fuse Holder: | OPM-NG-SM3 |
| Rec. Fuse Clips: | 5960 Series |
| Rec. Cover: | SAMI-7 Series |

Electrical Properties

| | |
|--------------------------|--|
| Maximum AC Voltage: | 250 |
| Amperage Rating: | 6 |
| AC Interrupting Ratings: | <ul style="list-style-type: none"> • 10000 at 125V • 200 at 250V |
| Time Delay: | Yes |

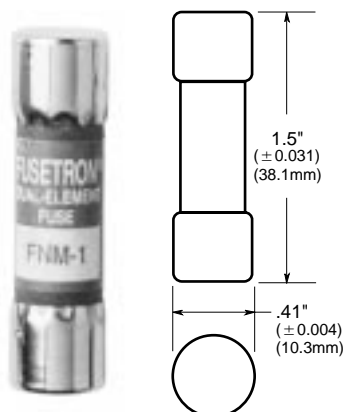
Physical Properties

| | |
|-------------|----------------------------------|
| Dimensions: | 1.5in.(L) × 0.41in.(W) × 0in.(H) |
|-------------|----------------------------------|


Time-Delay Ferrule Fuse

FNM

13/32" x 1-1/2"



- Fibre tube.
- For circuits with high inrush currents.
- Formerly designated 5AB.
- Fusetron® Dual-Element fuse.



Recommended fuseblocks/fuseholders for 13/32" x 1-1/2" fuses
See Data Sheets listed below

- Open fuseblocks - 1104, 2104
- Finger-safe fuseholders - 1109, 1102, 1103, 1151
- Panel-mount fuseholders - 2114, 2113, 2108, 2112, 2109, 2140
- In-line fuseholders - 2127, 2126

Catalog Symbol: FNM

TIME-DELAY

1/10 TO 30A

Interrupting Rating - SEE CHART BELOW

UL Listed: STD. 248-14, 0-10/250Vac; 12-15/125Vac

FILE #E19180, GUIDE #JDYX

CSA Certified: 1-10/250Vac; CLASS 1422-01,

12-15/125Vac; FILE 53787

Electrical Ratings (Catalog Symbol and Amperes)

| 250Vac IR | 250Vac IR | 250Vac IR | 125Vac |
|-----------------|-------------------|------------------|-----------------|
| FNM-1/10 | FNM-1-1/8 | FNM-4 | FNM-12 10,000 |
| FNM-1/8 | FNM-1-1/4 | FNM-4-1/2 | FNM-15 @ 125Vac |
| FNM-15/100 | FNM-1-4/10 | FNM-5 | - |
| FNM-2/10 | FNM-1-1/2 | FNM-5-6/10 | - |
| FNM-1/4 35A @ | FNM-1-6/10 100A @ | FNM-6 | 32Vac |
| FNM-3/10 250Vac | FNM-1-8/10 250Vac | FNM-6-1/4 200A @ | FNM-20 250Vac |
| FNM-4/10 10,000 | FNM-2 10,000 | FNM-7 10,000 @ | FNM-25 125Vac |
| FNM-1/2 @ | FNM-2-1/4 @ | FNM-8 @ | FNM-30 |
| FNM-6/10 125Vac | FNM-2-1/2 125Vac | FNM-9 | - |
| FNM-3/4 | FNM-2-8/10 | FNM-10 | - |
| FNM-8/10 | FNM-3 | - | - |
| FNM-1 | FNM-3-2/10 | - | - |
| - | FNM-3-1/2 | - | - |

If 250Vac is needed for 12-30A, use FNW series.

Carton Quantity and Weight

| Ampere Ratings | Carton Qty | Weight | |
|----------------|------------|--------|------|
| | | Lbs. | Kg. |
| 0-30 | 10 | .125 | .057 |

CE