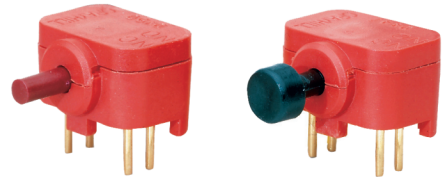


SERIES 39
SPST and SPDT, 1/4 Amp

FEATURES

- Fully Protected During Flux Cleaning Operations

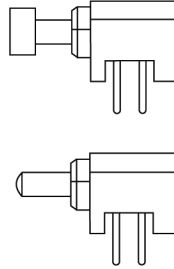
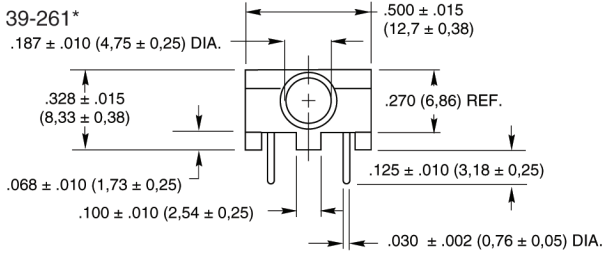


DIMENSIONS In Inches (and millimeters)

SPDT-PC Mount
Large Button Style

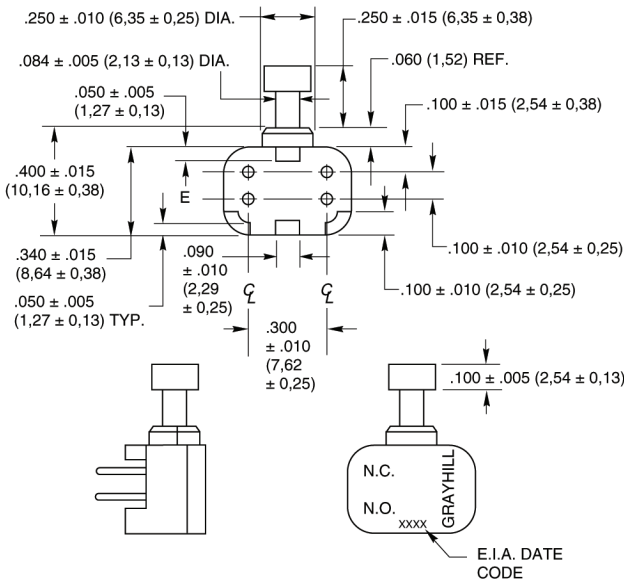
39-261*

.187 ± .010 (4,75 ± 0,25) DIA.



Rating at 28 Vdc Resistive	Rating at 115 Vac Resistive	Rating at 220 Vac Resistive	Operations at Rated Load	Partial Part Number
150 mA	1/4 Amp	1/8 Amp	500,000	39-251* 39-261*

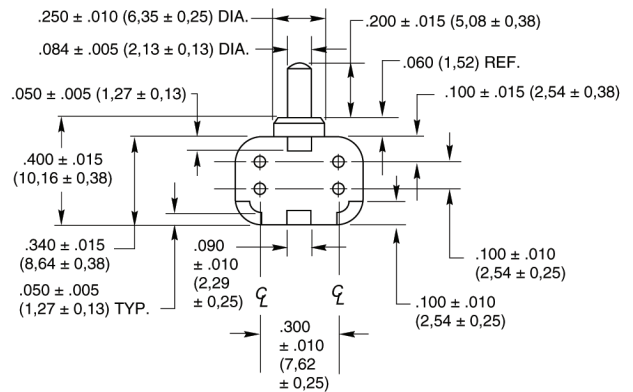
Action	Total Travel	Actuating Force (oz.)
Momentary	.090 + .010 / - .015 (2,29 + 0,25 / - 0,38)	10 ± 3 oz.



Small Button Style

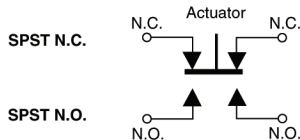
39-251*

END OF BUTTON HAS A .200 (5,08) SPHERICAL RADIUS

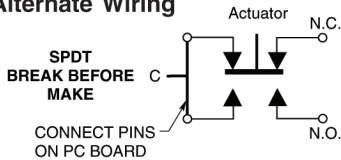


CIRCUITRY

2 Circuits Per Switch



Alternate Wiring



SPECIFICATIONS

Rating Criteria

Contact Resistance: 25 milliohms maximum on a new switch

Voltage Breakdown: 1,000 Vac between mutually insulated parts

Insulation Resistance: 1,000 megohms minimum

Operating Temperature: -40°C to +125°C

Materials and Finishes

Button: Nylon

Base and Cover: Polyester, red in color

Shorting Bar: Phosphor bronze, gold-plated over nickel

Terminals: Brass, gold-plated over nickel

Spring: Tinned music wire

O-Ring: Fluorosilicone

ORDERING INFORMATION

*Complete Part Number	Description
39-251 RED	Small Red Button, SPDT
39-251 BLK	Small Black Button, SPDT
39-261 RED	Large Red Button, SPDT
39-261 BLK	Large Black Button, SPDT

Pushbutton Switches