

Home > 24978683731504F

Part Number: **24978683731504F**

### General Description

|                            |                                   |
|----------------------------|-----------------------------------|
| Color                      | Red                               |
| Series                     | 249                               |
| Description                | LED PANEL IND.                    |
| Housing                    | Black Anodized                    |
| Mounting Method            | Nut and Washer                    |
| Compliance                 | Front or Rear of Panel, UL-E15584 |
| Termination                | 3/8-32 Solder                     |
| Terminal Type              | TURRET                            |
| Terminal Other             | 249 SERIES (RED LED)              |
| Mounting Hole Size         | 3/8"                              |
| Cap Material And Shape     | Short Stovepipe, fresnel, plastic |
| Cap Finish Description     | Unfrosted or Transparent          |
| Metal Finish Desc          | Black Anodized                    |
| Built In Resistor Desc     | None                              |
| Hardware Desc              | Aluminum                          |
| Panel Thickness            | .031"                             |
| Lens Style                 | Stovepipe                         |
| Luminous Intensity Typical | 170 mcd                           |
| Forward Current mA         | 20 mA                             |
| Voltage                    | 5 VDC                             |
| Operating Temperature      | -20 +71                           |
| Storage Temperature        | -40 +71                           |

# Dialight

## 249 Series

### LED Panel Mount Indicators for 3/8" Mounting Hole



#### FEATURES / BENEFITS

- ▲ RoHS Compliant
- ▲ Long life – typically 100K hours
- ▲ Low power consumption – uses up to 90% less energy than an incandescent indicator
- ▲ Front or rear panel mounting
- ▲ Available in either cylindrical or stovepipe lens, unique internal fresnel design provides uniform illumination
- ▲ Aluminum black anodized housing enhances contrast
- ▲ No heat generate
- ▲ Resistant to shock and vibration
- ▲ Colors include – red, green, yellow and blue
- ▲ Polarity indication by terminal (+) denotes anode

#### APPLICATIONS

Dialight's 249 series LED panel mount indicator is available with a variety of LEDs as well as neon for 120 VAC operation. Typical applications for the 249 series include:

- Main and remote power indication
- Maintenance and warning indication
- Process Control
- Status indication
- Instrumentation
- .....and many more!

#### SPECIFICATIONS

- ▲ Voltage requirements: 3.6, 5, 10, 14 and 28 VDC\*  
(No current limiting resistor required)
  - ▲ Electrical connection: Turret terminals for wire wrapping
  - ▲ Mounting hole size: 0.375" (9.53 mm)
  - ▲ Operating temperature: -20° to +71°C
  - ▲ Storage temperature: -40° to +71°C
  - ▲ Max Panel thickness: 0.312" (7.92 mm)
  - ▲ Mounts with knurled flange nut, lock washer and nut.
- \* Dialight recommends tolerance of 5% of specified voltage range

#### STOVEPIPE LENS

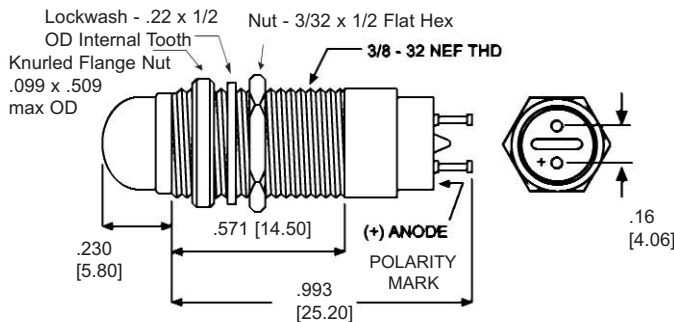


Figure 1

#### NOTES:

1. Dimensions in inches [mm]
2. All measurements are typical
3. Hardware includes knurled ring, lock washer & hex nut

#### CYLINDRICAL LENS 1

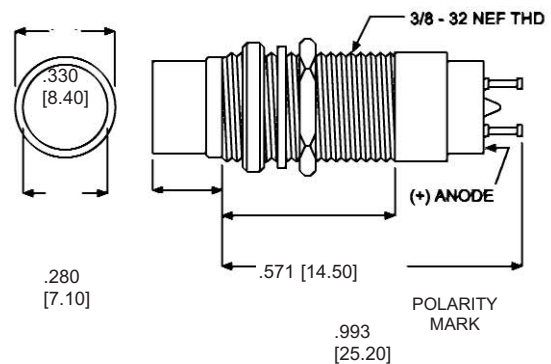


Figure 2

1. Cylindrical lens will provide wider viewing angle.



## MATERIALS / FINISH

| Description        | Material        | Finish              |
|--------------------|-----------------|---------------------|
| Mounting Body      | Aluminum        | Black Anodize       |
| Terminals          | Phosphor Bronze | Fused Tin           |
| Knurled Flange Nut | Aluminum        | Black Anodize       |
| Lock Washer        | Phosphor Bronze | White Nickel Plated |
| Nut                | Brass           | White Nickel Plated |

## STOVEPIPE CAP

## CYLINDRICAL CAP

| PART NUMBER        | COLOR  | VOLTAGE (VDC)* | CURRENT (mA) | INTENSITY TYP (mcd) | FIGURE |
|--------------------|--------|----------------|--------------|---------------------|--------|
| 249-4162-3734-504F | Blue   | 3.5**          | 10           | 1500                | 1      |
| 249-7867-3731-504F | Red    | 3.6            | 20           | 170                 | 1      |
| 249-7967-3732-504F | Green  | 3.6            | 20           | 100                 | 1      |
| 249-8067-3733-504F | Yellow | 3.6            | 20           | 150                 | 1      |
| 249-4164-3734-504F | Blue   | 5              | 10           | 1500                | 1      |
| 249-7868-3731-504F | Red    | 5              | 20           | 170                 | 1      |
| 249-7968-3732-504F | Green  | 5              | 20           | 100                 | 1      |
| 249-8068-3733-504F | Yellow | 5              | 20           | 150                 | 1      |
| 249-4166-3734-504F | Blue   | 10             | 10           | 1500                | 1      |
| 249-7870-3731-504F | Red    | 10             | 20           | 170                 | 1      |
| 249-7970-3732-504F | Green  | 10             | 20           | 100                 | 1      |
| 249-8070-3733-504F | Yellow | 10             | 20           | 150                 | 1      |
| 249-4167-3734-504F | Blue   | 14             | 10           | 1500                | 1      |
| 249-7871-3731-504F | Red    | 14             | 20           | 170                 | 1      |
| 249-7971-3732-504F | Green  | 14             | 20           | 100                 | 1      |
| 249-8071-3733-504F | Yellow | 14             | 20           | 150                 | 1      |
| 249-4168-3734-504F | Blue   | 28             | 10           | 1500                | 1      |
| 249-7872-3731-504F | Red    | 28             | 20           | 170                 | 1      |
| 249-7972-3732-504F | Green  | 28             | 20           | 100                 | 1      |
| 249-8072-3733-504F | Yellow | 28             | 20           | 150                 | 1      |

| PART NUMBER        | COLOR  | VOLTAGE (VDC)* | CURRENT (mA) | INTENSITY TYP (mcd) | FIGURE |
|--------------------|--------|----------------|--------------|---------------------|--------|
| 249-4162-3334-504F | Blue   | 3.5**          | 10           | 700                 | 2      |
| 249-7867-3331-504F | Red    | 3.6            | 20           | 55                  | 2      |
| 249-7967-3332-504F | Green  | 3.6            | 20           | 40                  | 2      |
| 249-8067-3333-504F | Yellow | 3.6            | 20           | 75                  | 2      |
| 249-4164-3334-504F | Blue   | 5              | 10           | 700                 | 2      |
| 249-7868-3331-504F | Red    | 5              | 20           | 55                  | 2      |
| 249-7968-3332-504F | Green  | 5              | 20           | 40                  | 2      |
| 249-8068-3333-504F | Yellow | 5              | 20           | 75                  | 2      |
| 249-4166-3334-504F | Blue   | 10             | 10           | 700                 | 2      |
| 249-7870-3331-504F | Red    | 10             | 20           | 55                  | 2      |
| 249-7970-3332-504F | Green  | 10             | 20           | 40                  | 2      |
| 249-8070-3333-504F | Yellow | 10             | 20           | 75                  | 2      |
| 249-4167-3334-504F | Blue   | 14             | 10           | 700                 | 2      |
| 249-7871-3331-504F | Red    | 14             | 20           | 55                  | 2      |
| 249-7971-3332-504F | Green  | 14             | 20           | 40                  | 2      |
| 249-8071-3333-504F | Yellow | 14             | 20           | 75                  | 2      |
| 249-4168-3334-504F | Blue   | 28             | 10           | 700                 | 2      |
| 249-7872-3331-504F | Red    | 28             | 20           | 55                  | 2      |
| 249-7972-3332-504F | Green  | 28             | 20           | 40                  | 2      |
| 249-8072-3333-504F | Yellow | 28             | 20           | 75                  | 2      |

\* Dialight recommends tolerance of 5% of specified voltage range

\*\* VF typical - Requires current limiting resistor

**Dialight reserves the right to make changes at any time in order to supply the best product possible.**

