

Please note that the data given here has been taken from the online catalog. For comprehensive information and data, please refer to the user documentation at <http://www.download.phoenixcontact.com>. The General Terms and Conditions of Use apply to Internet downloads.

► Extract from the online catalog

MCR 3-way isolating amplifier, for electrical isolation of analog signals, input signal: 0(4)..20 mA, output signal: 0(4)..20 mA

Order No.	2814508
Ord designation	MCR-C-I-I-00-DC
EAN	4017918156190
Pack	5 Pcs.
Customs tariff	85389091
Catalog page information	Page 268 (IF-2005)

► Technical data

Input data

Description of the input	Current input
Configurable/programmable	No
Current input signal	0 mA ... 20 mA
Current input signal	4 mA ... 20 mA
Max. input current	50 mA
Input resistance current input	50 Ohm

Output data

Output name	Current output
Configurable/programmable	No
Current output signal	0 mA ... 20 mA
Current output signal	4 mA ... 20 mA
Max. output voltage	15 V
Max. output current	30 mA
Load/output load current output	< 500 Ohm
Linear transmission range (in reference to the output range end value)	-5 % ... 105 %

Power supply

Range of supply voltages	20 V DC ... 30 V DC
Typical current consumption	< 15 mA (Without load)

Connection data

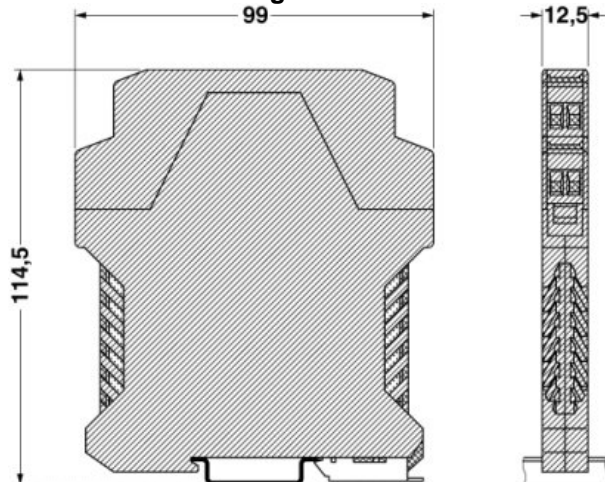
Type of connection	Pluggable COMBICON screw terminal block
Conductor cross section, rigid min.	0.2 mm ²
Conductor cross section, rigid max.	2.5 mm ²
Conductor cross section flexible min.	0.2 mm ²
Conductor cross section, flexible max.	2.5 mm ²
Conductor cross section AWG/kcmil min.	24
Conductor cross section AWG/kcmil max	14
Stripping length	8 mm
Screw thread	M 3

General data

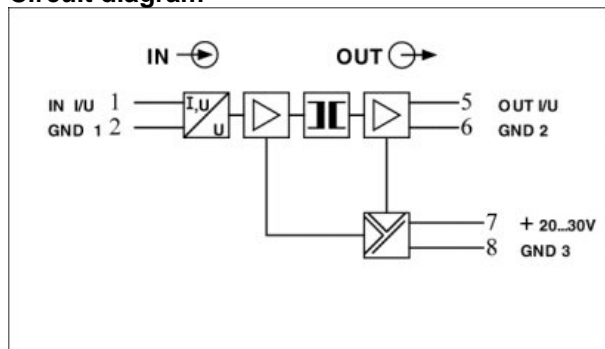
No. of channels	1
Length	99 mm
Width	12.5 mm
Height	114.5 mm
Transmission error, max.	< 0.2 % (Of end value)
Transmission error, typical	0.1 % (Of end value)
Temperature coefficient, max. (/K)	< 0.015 %
Cut-off frequency (3 dB)	30 Hz
Step response (10-90%)	11 ms
GRP test voltage	1.5 kV AC (50 Hz, 1 min)
Test voltage input/output	1.5 kV AC
Test voltage input/power supply	1.5 kV AC
Test voltage output/power supply	1.5 kV AC
Protective circuitry	Transient protection
Ambient temperature (operation)	-25 ° C ... 60 ° C
Electromagnetic compatibility	CE in compliance
Color	green
Housing material	Polyamide PA non-reinforced
Installation position	Any

► Drawings

Dimensioned drawing



Circuit diagram



► Accessories

Item	Designation	Description
Bridges		
2820916	DB 50- 90 BK	Wire bridge, 50-position, divisible, for bridging identical inputs and outputs, 0.5 mm ² , insulation: blue
2821180	DB 50- 90 BU	Wire bridge, 50-position, divisible, for bridging identical inputs and outputs, 0.5 mm ² , insulation: black
2820929	DB 50- 90 GY	Wire bridge, 50-position, divisible, for bridging identical inputs and outputs, 0.5 mm ² , insulation: gray

► Address

PHOENIX CONTACT GmbH & Co. KG
Flachsmarktstr. 8
32825 Blomberg
Germany
Phone +49 5235 3 00
Fax +49 5235 3 1200
<http://www.phoenixcontact.com>
Phoenix Contact
Technical modifications reserved;