

**Switch Language**

English

**Need Assistance?**

- [Contact Us](#)
- [Find a Distributor](#)
- [Order Samples](#)
- [Tech Library](#)

[Printer-friendly page](#)

[Email this page](#)

[Home](#)   [Datasheet](#)

**Part Number: 0191300006**

**Status: Active**

**Description:** BLOCK SPADE INSULKRIMP (A-234-08X)

**Documents:**

*Note - Please disable browser pop-up blockers for documents on www.molex.com*

[Drawing \(PDF\)](#)

**Order Products:**

[Check Distributor Inventory](#)   [Add to My Parts](#)

**Part Detail:** [\(show all\)](#)

[Physical](#)   [Electrical](#)   [Material Info](#)

Product Family   Molex Parts  
 Series   [19130](#)

**Physical**

Flammability   94-V2

**Electrical**

CSA   LR18689  
 UL   E32244

**Material Info**

Old Part Number   A-234-08X



**EU RoHS**

**ELV and RoHS Compliant**

**China RoHS**



**Need more information on product compliance?**

Email [productcompliance@molex.com](mailto:productcompliance@molex.com)

Please visit the [Contact Us](#) section for any non-product compliance questions.

**Search Parts in this Series**

[19130](#) Series

**NOTES:**

① MAT'L: COPPER

PLATING: ELECTRO-TIN (.0003 MIN.)

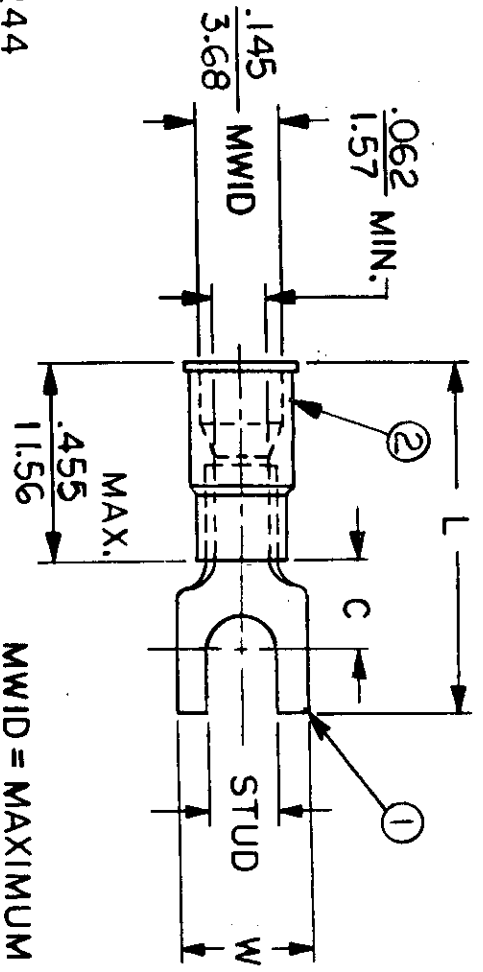
② INSULATION: MOLDED PVC (RED)

STUD SIZES: ( $\pm .005$ )

- 02 = .094
- 04 = .119
- 06 = .146
- 08 = .173
- 10 = .198
- 14 = .265
- 56 = .328
- 38 = .390

"UL" LISTING # E32244  
 "CSA" LISTING # 18689

ALL DIMENSIONS =  $\frac{\text{INCHES}}{\text{MM}}$



MWID = MAXIMUM WIRE  
 INSULATION DIAMETER  
 WIRE SIZE: 22-18 AWG  
 25-1.5 MM<sup>2</sup>

PART NUMBER	"W" ±.010	"C" MIN.	"L" MAX.	"ID" MIN	AVAILABLE STUD SIZES	STOCK THICKNESS	DIMENSIONAL TOLERANCES UNLESS OTHERWISE SPECIFIED	
							FRAC.	DEC.
A-234-	$\frac{.291}{7.39}$	$\frac{.207}{5.26}$	$\frac{.835}{21.21}$	$\frac{.062}{1.57}$	04X, 06X, 08X	$\frac{.028 \pm .001}{.71}$	±	±
A-238-	$\frac{.245}{6.22}$	$\frac{.207}{5.26}$	$\frac{.835}{21.21}$	$\frac{.062}{1.57}$	04X, 06X	$\frac{.028 \pm .001}{.71}$	±	±
A-291-	$\frac{.420}{10.67}$	$\frac{.235}{5.97}$	$\frac{.934}{23.72}$	$\frac{.054}{1.37}$	06X, 08X, 10X	$\frac{.031 \pm .001}{.79}$	±	±
A-294-	$\frac{.375}{9.53}$	$\frac{.235}{5.97}$	$\frac{.936}{23.77}$	$\frac{.054}{1.37}$	06X, 08X, 10X	$\frac{.031 \pm .001}{.79}$	±	±
A-297-	$\frac{.325}{8.26}$	$\frac{.235}{5.97}$	$\frac{.936}{23.77}$	$\frac{.054}{1.37}$	04X, 06X, 08X	$\frac{.031 \pm .001}{.79}$	±	±

TITLE: SPADE TONGUE TERMINAL INSULKRIMP 200-SERIES



DWG. NO. A CUSTOMER DWG.

SCALE: NTS  
 DRWN. BY: JJ  
 CHKD. BY: GZ  
 DATE: 10-29-84  
 APPRD. BY: