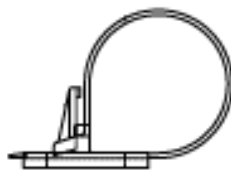
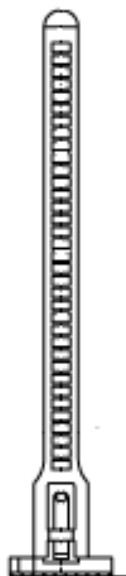
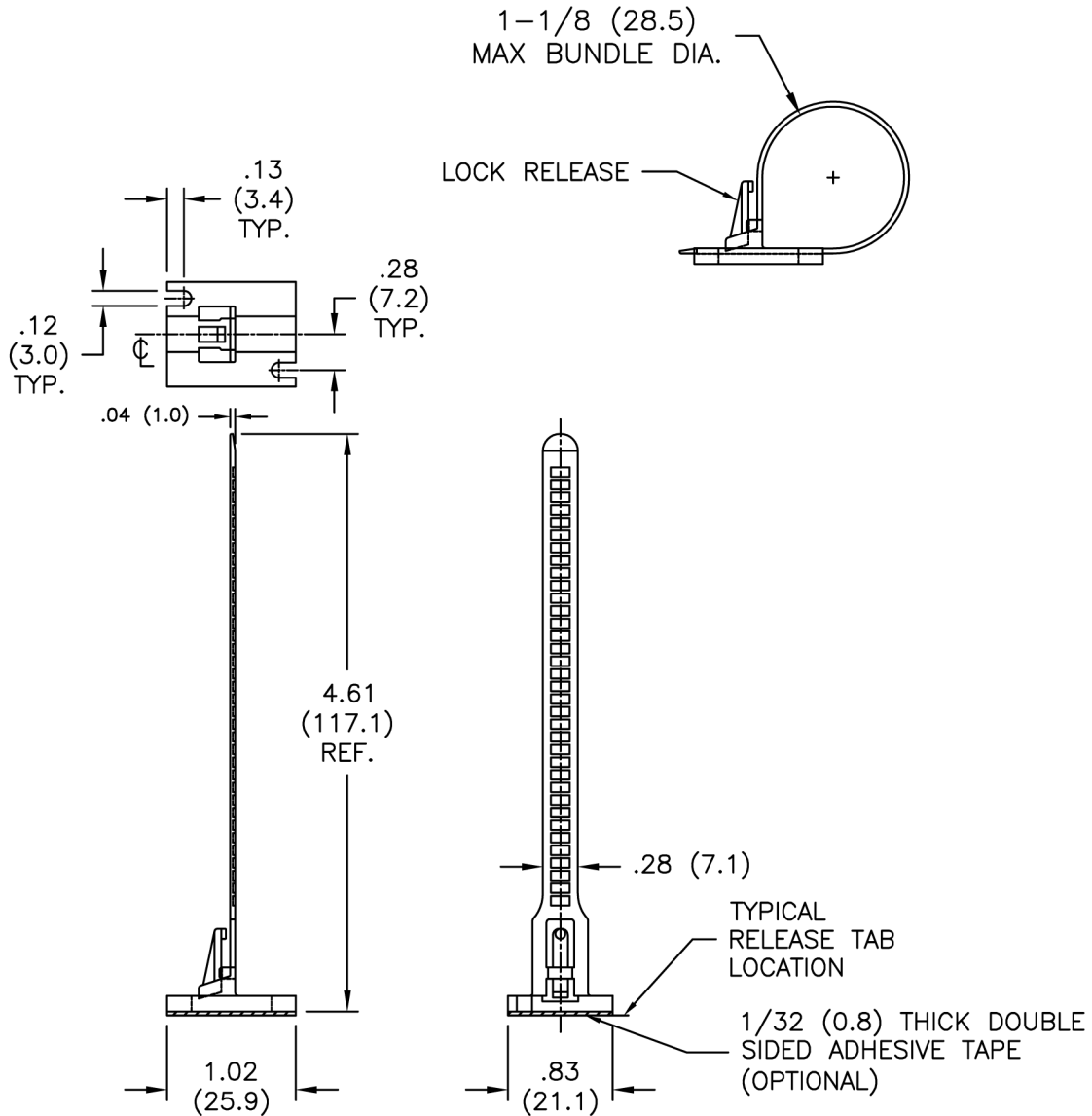


**See "Part Drawing" for Details**



Part Number	Description
<a href="#">TOBS-18-01A-RT</a>	Cable Tie,Adh Mnt,Blk,4.61" Lg,18Lb 

PART NO.	DESCRIPTION
TOBS-18-01	WITHOUT TAPE
TOBS-18-01A-RT	WITH TAPE



NOTES:

- MAT'L: NYLON 66 (RMS-01)  
COLOR: BLACK
- SLOTS TO ACCOMMODATE #4 SCREW.
- ACRYLIC ADHESIVE TAPE (RMS-15)

C	SEE CO 200067	SK 11.20.07
B	SEE ECN #951 FOR CHANGES	SK 02.25.05
A	SEE ECN #490 FOR CHANGES	SM 10.15.02
REV	DESCRIPTION	ENGR DATE

TITLE: TIE ON BASE, SCREW



DWG IN  
IN (MM)

FINAL

TOLERANCES UNLESS NOTED .XX=±.010 .XXX=±.005 FRAC=±1/64 ANG=±1°	FILE # TOBS-18	DWN: J.B.	APP:
	MAT'L: SEE NOTES	DT: 07-21-97	DT:
	RE: RICHCO, INC.	RICHCO INC.	

PART #  
SEE TABLE

PRINT  
TYPE  
CA