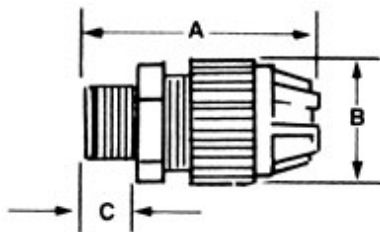


T&B® Fittings



T&B Catalog Number: 2671
UPC Number: 78621002671
Description: 3/8" Black Beauty; Liquidtight Cord Connector-Straight; Body and Gland material-Weather Stabilized Nylon; Bushing-Neoprene. Cord range-.125-.275.

Status: Active



Features

- Hand tightens-no tools needed for assembly.
- Segmented chuck provides high mechanical pullout performance-will not cut or damage cord jacket.
- Corrosion and weather resistant plastic is excellent for outdoor/indoor use.

Application

A liquidtight connector to connect flexible cord to a box or enclosure and provide adequate strain relief.

General

Material Nylon

Dimension Information

Hub Size (inches)	3/8
Dimension A (inches)	2.0
Dimension B (inches)	0.90
Dimension C (inches)	0.46
Cord Range (inches)	.125-.275
Throat Diameter (inches)	0.33

Packaging

T&B Inner Pack	25
Package in Units	250
T&B Sold in UOM	Each
T&B Weight Per UOM	3.38 lbs. per 100

Application Support

T&B Instruction Sheets	ta01320-tb2
Product Overview	Available on Website
Liquidtight Flexible Cord and Cable Connectors-Application and Features	Available on Website
Portable Cord Selection Table	Available on Website

Notes

- *Note Suitable for use in hazardous locations where general purpose equipment is specifically permitted by NEC. Class I, Div 2; Class II, Div 1 & 2; Class III, Div 1 & 2; NEC 501-4(b), 502-4(a)(b), 503-3(a)(b)
- **Note Meets Coast Guard CG293
- ***Note Temperature rating-34#176; C 105#176; C
- ****Note Remove sufficient outer covering of cable to permit conductors to pass thru connector body.

Certifications

RoHS Compliance	Yes
-----------------	-----

Certifications



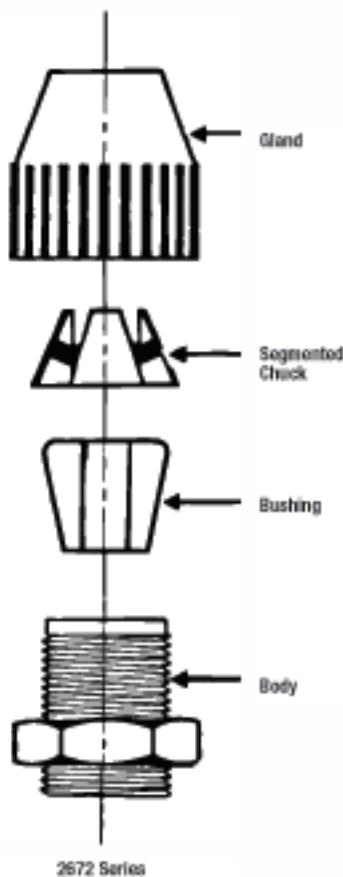
File Nbr:

E 13938

Flexible Cords and Cable Fittings — Non-Metallic



2672 Series



2672 Series

Liquidtight Flexible Cord Connectors — Black Beauty® Series

Application

- A liquidtight connector to connect flexible cord to a box or enclosure and provide adequate strain relief

Features

- Taper Thread hub seals in female hub (A)
- Neoprene bushing provides liquidtight installation (B)
- Hand tightens — no tools needed for assembly
- Segmented chuck provides high mechanical pullout performance — will not cut or damage cord jacket (C)
- Corrosion and weather resistant plastic is excellent for outdoor/indoor use
- Plastic parts improve dielectric strength and provide insulated throat (D)
- Wide range — reduces inventories

Listed/Certified by:

UL..... (UL File No. E-23018)
CSA..... LR-2884, LR-4484

Standard Material

Body, Gland & Segmented Chuck
Weather stabilized thermoplastic rated for -34° C
(-29° F) to 105° C (221° F) application.

Bushing..... Neoprene

Standard Finish

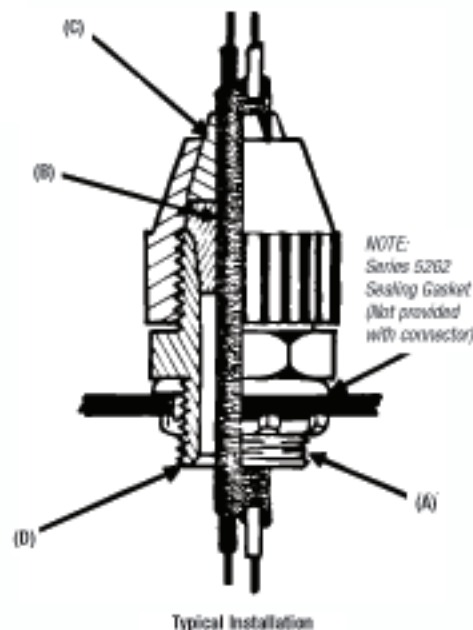
All parts as molded.

Range

.250 outside diameter to 1.020 outside
diameter..... Type S, S0, SV, ST, ST0,
..... SJ, SJO, SJT, SJTO,
..... SVTO, SVO, SVT Flexible
..... Cords & Cables

Conforms to

UL 514B
CSA C22.2 No. 18
NFPA 70-1999 (ANSI)
Federal Standard H-28 (Threads)



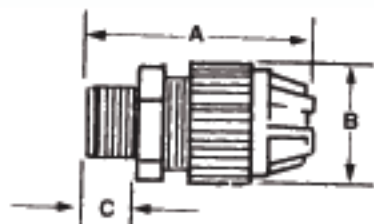
Flexible Cords and Cable Fittings — Non-Metallic

Rugged, weather-stabilized nylon construction!

Non-Metallic Liquidtight Strain Relief Connector — Straight



T&B Fittings



- UL 94-V2 flammability rated
- Temperature rating: -34° C to +105° C
- Meets Coast Guard CG293

CAT. NO.	TRADE OR HUB SIZE	THROAT DIAM. (IN.)	CORD RANGE (IN.)	DIMENSIONS (IN.)		
				A	B	C
2671	3/8"	0.33	.125-275	2.0	.90	.46
2690	1/2"	0.33	.125-275	2.3	.90	.60
2672	1/2"	0.55	.250-400	2.6	1.27	.60
2673*	1/2"	0.55	.400-560	2.6	1.27	.60
2691*	1/2"	0.54	.560-690	3.0	1.57	.60
2692*	1/2"	0.54	.660-780	3.0	1.57	.60
2693	3/4"	0.55	.250-400	2.7	1.27	.62
2694*	3/4"	0.55	.400-560	2.7	1.27	.62
2674	3/4"	0.79	.560-690	3.0	1.57	.62
2675	3/4"	0.79	.660-780	3.0	1.57	.62
2695*	3/4"	0.76	.770-895	3.2	1.89	.62
2676	1"	0.98	.660-780	3.3	1.89	.77
2677	1"	0.98	.770-895	3.3	1.89	.77
2678*	1"	0.98	.870-1.020	3.3	1.89	.77
2699	1"	0.98	.890-1.090	4.2	2.58	.77
2702	1 1/2"	1.25	.890-1.090	4.2	2.58	.90
2703	1 1/2"	1.25	1.080-1.280	4.0	2.58	.90
2704	1 1/2"	1.25	1.270-1.470	4.0	2.58	.90
2705-TB	1 1/2"	1.47	.890-1.150	4.2	2.95	.82
2706	1 1/2"	1.47	1.140-1.400	4.3	2.95	.82
2707	1 1/2"	1.47	1.390-1.650	4.3	2.95	.82
2708	2"	1.89	1.190-1.530	5.1	3.50	.84
2709	2"	1.89	1.520-1.860	4.9	3.50	.84
2710*	2"	1.89	1.850-2.190	4.9	3.50	.84

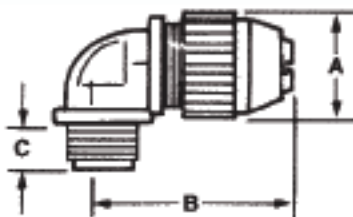
*Remove sufficient outer covering of cable to permit conductors to pass thru connector body.

UL File No. E 13838
CSA File No. 52391

All items shown on this page are suitable for use in hazardous locations where general purpose equipment is specifically permitted by the NEC, Class I, Div. 2, Class II, Div. 1 & 2, Class III, Div. 1 & 2, NEC 501-4(b), 502-4(a)(6), 503-3(a)(6).

90° angle with a standard-size body!

Non-Metallic Liquidtight Strain Relief Connector — 90° Elbow



- Weather-stabilized nylon construction
- UL 94-V2 flammability rated
- Temperature rating: -34° C to +105° C
- Meets Coast Guard CG293

CAT. NO.	TRADE OR HUB SIZE	THROAT DIAM. (IN.)	CORD RANGE (IN.)	DIMENSIONS (IN.)		
				A	B	C
2680	3/8"	.33	.125-275	3/4"	1 1/4"	.460
2681	1/2"	.55	.250-400	—	—	—
2682*	1/2"	.55	.400-560	—	—	—
2683	3/4"	.78	.560-690	—	—	—
2684	3/4"	.78	.660-780	—	—	—
2688	1"	.98	.560-690	1 1/2"	3 1/4"	.770
2685	1"	.98	.660-780	1 1/2"	3 1/4"	.770
2686	1"	.98	.770-895	1 1/2"	3 3/4"	.770
2687*	1"	.98	.870-1.020	1 1/2"	3	.770

*Remove sufficient outer covering of cable to permit conductors to pass thru connector body, 90° angle, standard size body.

UL File No. E 13838
CSA File No. 52391

All items shown on this page are suitable for use in hazardous locations where general purpose equipment is specifically permitted by the NEC, Class I, Div. 2, Class II, Div. 1 & 2, Class III, Div. 1 & 2, NEC 501-4(b), 502-4(a)(6), 503-3(a)(6).