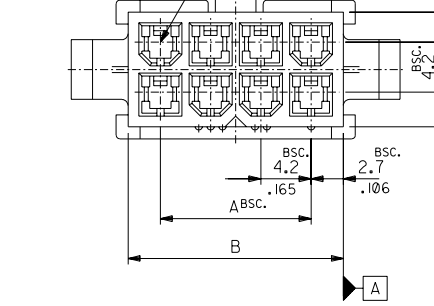
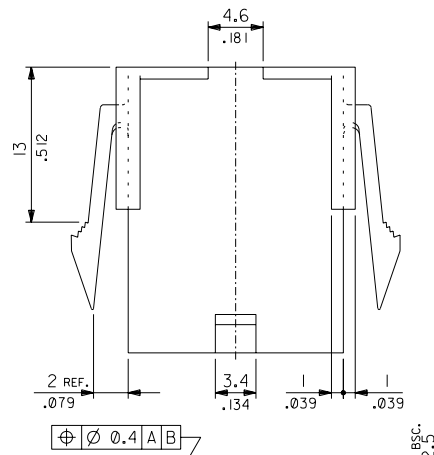
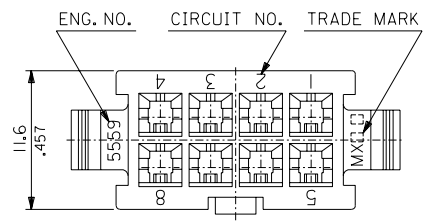


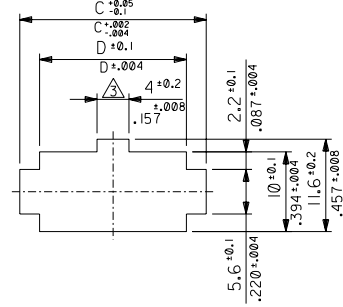
ENG. NO. SD-5559-NP-210
EDP NO. 39-01-2**6

ALL DIMENSIONS IN METRIC DO NOT SCALE DRAWING

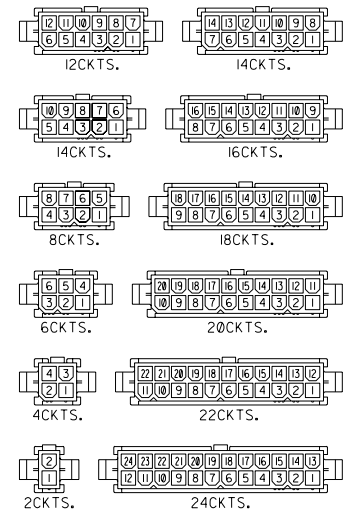


NOTES

1. TERMINAL : 5558 SERIES
2. MATES WITH : 5557-NR-210
3. THIS DIMENSION IS ALLOWABLE UP TO "D" DIMENSION IN CASE OF 2 CIRCUITS.
4. PANEL HOLE TO BE PUNCHED OUT IN THE SAME DIRECTION AS INSERTION INTO THE PANEL.



RECOMMENDED PANEL HOLE DIMENSION
(THICKNESS : 0.8-2.0 / .032-.079)



CIRCUIT SIZE LAYOUT (SCALE : 1-1)

52.1/2.051	57.0/2.244	51.6/2.031	46.2/1.819	39-01-2246	5559-24P-210	24
47.9/1.886	52.8/2.079	47.4/1.866	42.0/1.654	-2226	-22P-210	22
43.7/1.720	48.6/1.913	43.2/1.701	37.8/1.488	-2206	-20P-210	20
39.5/1.555	44.4/1.748	39.0/1.535	33.6/1.323	-2186	-18P-210	18
35.3/1.390	40.2/1.583	34.8/1.370	29.4/1.158	-2166	-16P-210	16
31.1/1.224	36.0/1.417	30.6/1.205	25.2/.992	-2146	-14P-210	14
26.8/1.055	31.8/1.252	26.4/1.039	21.0/.827	-2126	-12P-210	12
22.6/.890	27.6/1.087	22.2/.874	16.8/.661	-2106	-10P-210	10
18.4/.724	23.4/.921	18.0/.709	12.6/.496	-2086	-08P-210	8
14.2/.559	19.2/.756	13.8/.543	8.4/.331	-2066	-06P-210	6
10.0/.394	15.0/.591	9.6/.378	4.2/.165	-2046	-04P-210	4
5.8/.228	10.8/.425	5.4/.213	-	-	-	2
D	C	B	A	EDP NO.	ENG. NO.	CIRCUIT

材料 MATERIAL	NYLON 66, UL94V-0	MOLEX-JAPAN CO.,LTD. 日本モレックス株式会社
仕上げ FINISH	-	EDP. NO. 39-01-2**6
適用電線範囲 WIRE RANGE	-	ENG. NO. SD-5559-NP-210
被覆外径 INS. RANGE	-	REV C
DRAWN BY 30/10/H H.HIRAMOTO	CHK'D BY 30/10/H H.HIRAMOTO	TITLE 名称 NEW MINI. FIT CONNECTOR CRIMP PIN HOUSING
APP'D BY 30/10/H H.HIRAMOTO	SCALE 3-1	

THIS DRAWING CONTAINS INFORMATION THAT IS PROPRIETARY TO MOLEX/JAPAN AND SHOULD NOT BE USED WITHOUT WRITTEN PERMISSION
本図面は日本モレックス(株)の所有する情報を含むもので 当社の許可なく複製を禁止する。 MXJ-8