

# MICRO SWITCH

FREEPORT ILLINOIS, U.S.A  
A DIVISION OF HONEYWELL  
FED. MFG. CODE 91929

# ACTUATOR - SWITCH

CATALOG LISTING

# JS-5

JS-5

M

DRAWING NUMBER

ISSUE

1816

REPLACES

RELEASE NO. SR-1368

CHECK

REVISIONS

A	NEW DWG C035725	D B W 23 JUL 75
B	C038560	J A L 13 JUN 77
C	C047771	C J H 17 MAY 80
D	C079303	D L T 7 MAR 95

CHECK

25 JULY 75

CHECK

25 JULY 75

CHECK

25 JULY 75

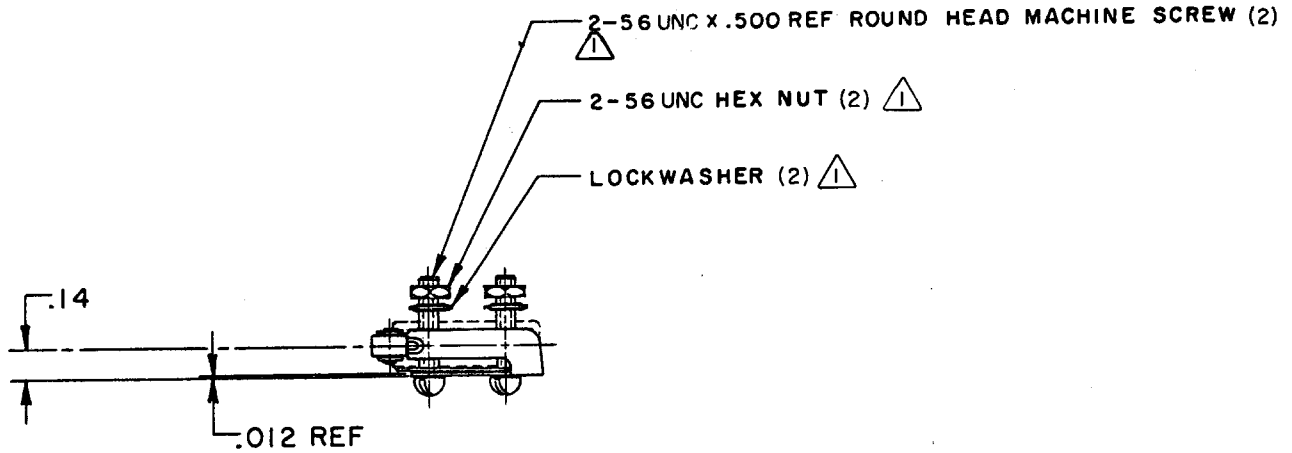
CHECK

25 JULY 75

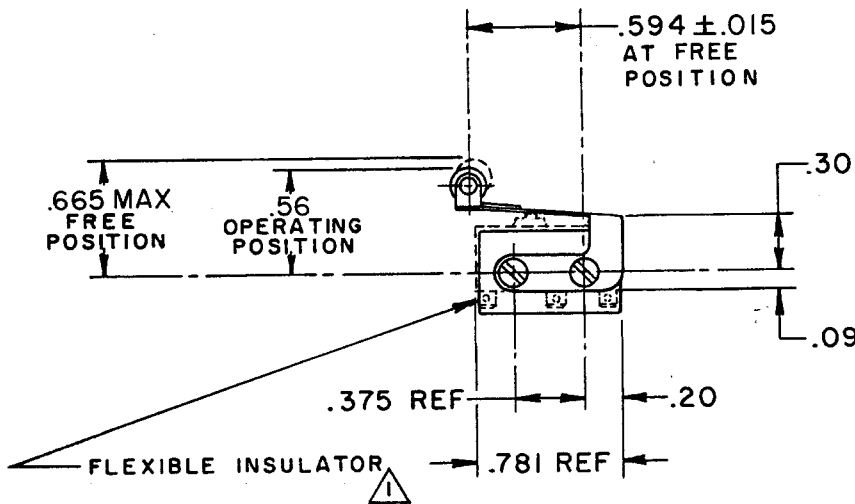
FO-52848-A

DRAWN

D B W 23 JUL 75



.19 DIA X .12 WIDE OIL BRONZE ROLLER  
(CONCENTRICITY .005 T. I. R.)

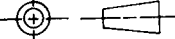


DOTTED LINES INDICATE BASIC SWITCH IN PLACE

NOTE -  
△ - FURNISHED UNASSEMBLED

THIS DRAWING COVERS A PROPRIETARY ITEM AND IS THE PROPERTY OF MICRO SWITCH, A DIVISION OF HONEYWELL. THIS DRAWING IS NOT TO BE COPIED OR USED WITHOUT THE APPROVAL OF MICRO SWITCH.

THIRD ANGLE PROJECTION



**CHARACTERISTICS WITH ISMI SWITCH INSTALLED**

OPERATING FORCE ----- 10 OZ MAX  
RELEASE FORCE ----- 2 OZ MIN  
PRETRAVEL ----- .078 MAX  
DIFFERENTIAL TRAVEL ----- .015 MAX  
OVERTRAVEL ----- .015 MIN

**ELECTRICAL DATA**

CONTACT ARRANGEMENT

SCALE FULL

DO NOT SCALE PRINT

**TOLERANCES**

APPLY TO DESIGN UNITS. CONVERSIONS ARE ONLY FOR REFERENCE. UNLESS NOTED, TOLERANCES ARE ±

DIM.	TOL.	DIM.	TOL.	
mm	mm/in	in	mm/in	
NO PLACES	X	1/.04	X X	0.8/.03
ONE PLACE	X.X	0.4/.018	X.XX	0.38/.015
TWO PLACES	X.XX	0.15/.006	X.XXX	0.13/.005
THREE PLACES	X.XXX			
ANGLES				2°

DESIGN UNITS  SI METRIC  US CUSTOMARY

WEIGHT