



Current refinements (click  to remove)

[Search Tips](#) 
 [Region](#)  [USA](#)
 [Product Family](#)  [Ring Terminal, Large Wire Non-Insulated](#)
 [Text Search: 'P6-14R-E'](#)
Your search criteria matched only one product, shown below.


- Designed for use with #8 - #2 AWG copper wire
- Ring tongue design assures a secure connection in high vibration applications
- Internal barrel serrations assure good wire contact and maximum tensile strength
- Brazed seam protects terminal barrel from splitting during the crimp process
- Barrel of terminal internally beveled to provide quick and easy wire insertion
- Maximum recommended operating temperature 302°F (150°C)

‡UL and CSA approved tooling/product combinations.

Part Number:	P6-14R-E
RoHS Compliancy Status:	Compliant
Part Description:	Ring terminal, large wire, 6 AWG, 1/4" stud size, non-insulated.
Product Type:	Terminals
CSA Certified:	Yes
UL Listed:	Yes
Length (In.):	1.21
Width (In.):	.47
Angle:	straight
Clearance:	.43
Stock:	.05
Stud Size:	1/4"
Tool:	CT-1701‡
Wire Range:	6 AWG
Wire Range (mm ²):	16
Min. Order UOM:	PC
Min. Order Qty.:	20

BOM Qty. (# of Pkgs.)

[Add to My Catalog](#)

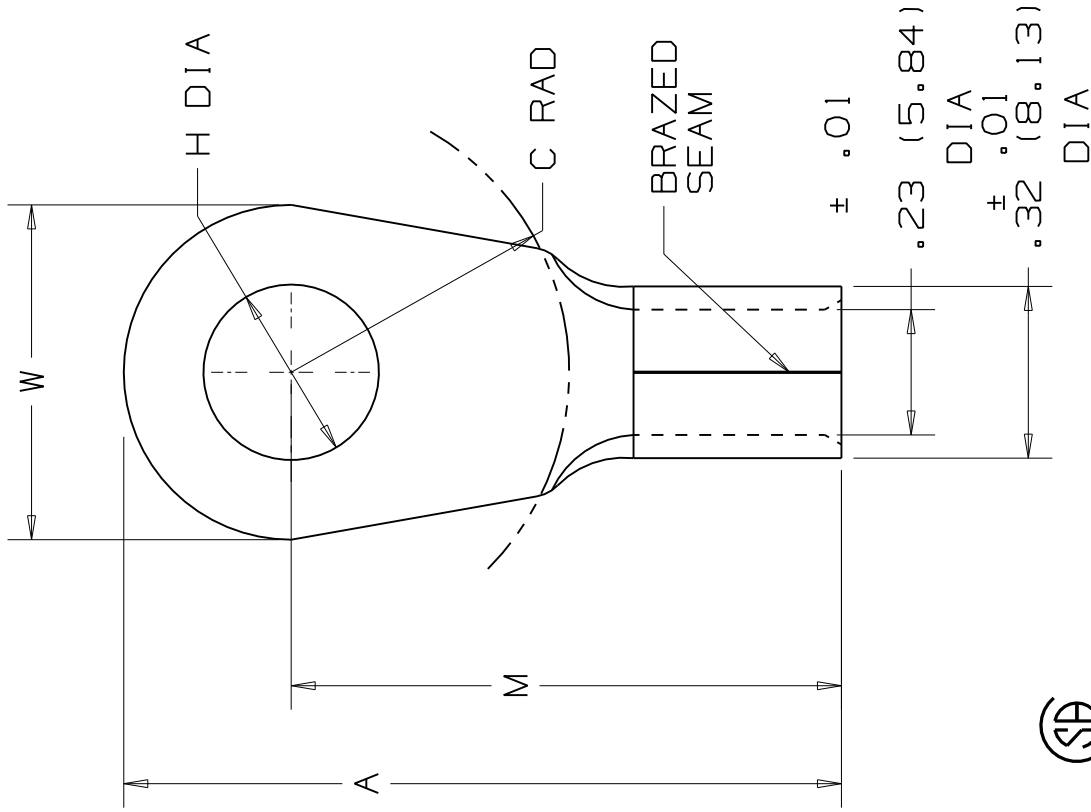
 Please [register](#) to utilize the 'Bill of Materials', 'Submit Quotes' and 'My Catalog' features.

THIS COPY IS PROVIDED ON A RESTRICTED BASIS AND IS NOT TO BE USED IN ANY WAY DETRIMENTAL TO THE INTERESTS OF PANDUIT CORP.

PANDUIT PART NUMBER	STUD SIZE	DIMENSIONS in.				
		A ±.03	W ±.01	C ±.02	M ±.03	H ±.01
P6-8R	#8	1.21 (30.73)	.47 (11.94)	.43 (10.92)	.97 (24.64)	.17 (4.32)
P6-10R	#10	1.21 (30.73)	.47 (11.94)	.43 (10.92)	.97 (24.64)	.20 (5.08)
P6-14R	1/4"	1.21 (30.73)	.47 (11.94)	.43 (10.92)	.97 (24.64)	.27 (6.86)
P6-56R	5/16"	1.33 (33.78)	.62 (15.75)	.51 (12.95)	1.02 (25.91)	.33 (8.38)
P6-38R	3/8"	1.33 (33.78)	.62 (15.75)	.51 (12.95)	1.02 (25.91)	.39 (9.91)
P6-12R	1/2"	1.43 (36.32)	.82 (20.83)	.51 (12.95)	1.02 (25.91)	.52 (13.21)

NOTES:

- UL LISTED AND CSA CERTIFIED FOR:
A. 302° F (150° C) MAX OPERATING TEMP
B. #6 AWG STRANDED COPPER WIRE
- PACKAGE QTY: STD. PKG. -E=20
BULK PKG. -T=200
- MATERIAL: .045" (1.14) THK COPPER, TIN PLATED
- DIMENSIONS IN BRACKETS ARE IN MILLIMETERS
- INSTALLATION TOOL: CT-1701
- WIRE STRIP LENGTH: 7/16 ^{+1/32} ₋₀ (11.1 ^{+0.8} ₋₀)



LISTED
587H
E52164



CERTIFIED
LR31212

A41214

04	4/07	BCT	LCA	CHANGED THE INSTALLATION TOOL FROM CT-700 TO CT-1701	TRO0256	LCA	TRO	<p>TINLEY PARK, ILLINOIS</p> <p>#6 BARREL NON-INSULATED RING TONGUE</p>
03	1/01	KMD		CAD FILE SPEC. WAS N41214AA_PCD_02				
02	10/94	TH		UPDATED NOTES AND DIMENSIONS				
01	7-88	DW		REDRAWN WITH REVISIONS				
REV	DATE	BY	CHK	DESCRIPTION	ECN #	CUST	PM	DRAWN BY: DAW SCALE: NONE CHECK'D: A41214