

Current refinements (click  to remove)

[Search Tips](#) 
 Region  USA Product Family  Fork Terminal, Vinyl Insulated – Funnel Entry Text Search: 'PV14-6F-C'

Your search criteria matched only one product, shown below.


- Fork design provides for fast and easy installation, without the need to remove fastener
- Insulation support helps to prevent wire damage in bending applications
- Brazed seam protects terminal barrel from splitting during the crimp process
- UL Flammability UL 94V-0, maximum insulation temperature 221°F (105°C)
- Internal barrel serrations assure good wire contact and maximum tensile strength
- UL and CSA rated up 600 V per UL 486

‡UL and CSA approved tooling/product combinations.

Note: Wire sizes #26 – #22 AWG, are not UL Listed or CSA Certified.

| | |
|-------------------------|--------------------------------------------------------------------------|
| Part Number: | PV14-6F-C |
| RoHS Compliancy Status: | Compliant |
| Part Description: | Fork Terminal, vinyl insulated, funnel entry, 16 – 14 AWG, #6 stud size. |
| Product Type: | Terminals |
| CSA Certified: | Yes |
| UL Listed: | Yes |
| Length (In.): | .84 |
| Width (In.): | .28 |
| Clearance: | .19 |
| Max. Ins.: | .170 |
| Panduit Color Code: | Blue |
| Stock: | .03 |
| Stud Size: | #6 |
| Tool: | CT-100A‡, CT-600-A‡, CT-1550‡, CT-1551‡, CT-2500‡ |
| Wire Range: | 16 – 14 AWG |
| Min. Order UOM: | PC |
| Min. Order Qty.: | 100 |

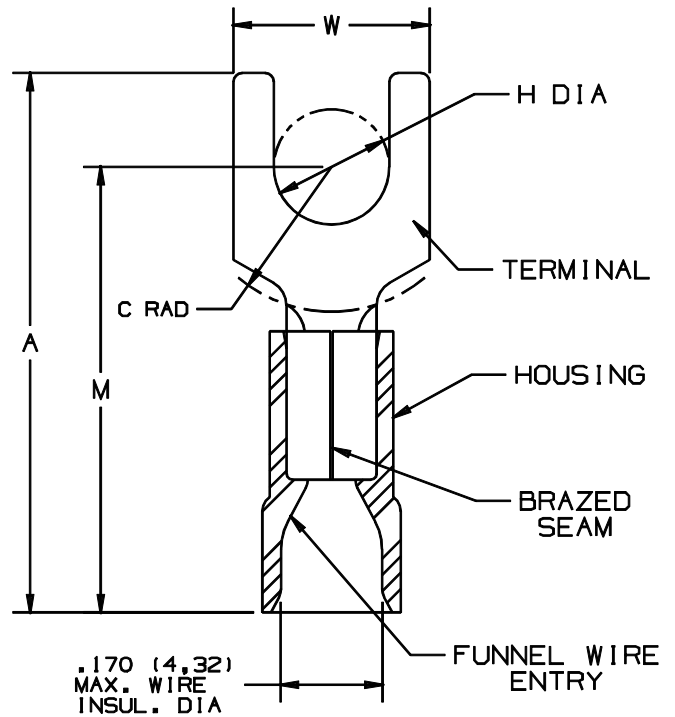
BOM Qty. (# of Pkgs.)

[Add to My Catalog](#)

 Please [register](#) to utilize the 'Bill of Materials', 'Submit Quotes' and 'My Catalog' features.

THIS COPY IS PROVIDED ON A RESTRICTED BASIS AND IS NOT TO BE USED IN ANY WAY DETRIMENTAL TO THE INTERESTS OF PANDUIT CORP.

| PANDUIT PART NUMBER | STUD SIZE | DIMENSIONS in. | | | | |
|---------------------|-----------|----------------|---------------|---------------|---------------|---------------|
| | | A $\pm .03$ | W $\pm .01$ | C $\pm .02$ | M $\pm .03$ | H $\pm .01$ |
| PV14-6F | #6 | .84 (21,3) | .28 (7,11) | .19 (4,83) | .70 (17,8) | .15 (3,81) |
| PV14-6FN | #6 | .84 (21,3) | .24 (6,10) | .19 (4,83) | .70 (17,8) | .15 (3,81) |
| PV14-8F | #8 | .90 (22,9) | .31 (7,87) | .23 (5,84) | .74 (18,8) | .17 (4,32) |
| PV14-10F | #10 | .92 (23,4) | .34 (8,64) | .24 (6,10) | .76 (19,3) | .20 (5,08) |
| PV14-10FN | #10 | .92 (23,4) | .31 (7,87) | .24 (6,10) | .76 (19,3) | .20 (5,08) |
| PV14-14F | 1/4" | 1.09 (26,7) | .44 (11,2) | .32 (8,13) | .84 (21,3) | .27 (6,86) |



NOTES:

- UL LISTED & CSA CERTIFIED FOR
 - 600 V. MAX. VOLTAGE RATING (1000 V. MAX. IN SIGNS, FIXTURES AND LUMINAIRES.)
 - 16-14 AWG SOLID OR STRANDED COPPER WIRE & 221°F (105°C) MAX TEMP RATING WITH THE CT-100, CT-1550, CT-1551 INSTALLATION TOOLS.
- MATERIAL:
 - STAMPING - .03 (.08) THK COPPER, TIN PLATED
 - HOUSING - VINYL, BLUE
- STRIP LENGTH 5/16 $\pm 1/32$.0
- PACKAGE QTY:
 - C=100
 - M=1000
- DIMENSIONS IN BRACKETS ARE IN MILLIMETERS.



LISTED
587H
E52164



CERTIFIED
LR31212

A41193_03

| | | | | | | | | | | | | | | | | | | | |
|-----|-------|-----|-----|------------------------------------------------------------------------------------|-------|------|------|--------------------------------------------|-------|-----------------------|-------------|--|--|--|--|--|--|--|--|
| 03 | 10/00 | EJS | | ADDED PART PV14-14F, REMOVED CT-500, CT-550, ADDED CT-1550, CT-1551 TO NOTE 1-B | | | | | | | | | | | | | | | |
| 02 | 1/97 | TM | RLS | TEMP RTG. FOR CT-100 WAS 167°F (75°C) REMOVED CT-250, FILESPEC WAS N41193AA_PCD_01 | 05469 | LA | TJBU | PANDUIT CORP. | | TINLEY PARK, ILLINOIS | | | | | | | | | |
| 01 | 10/94 | MS | RLS | UPDATED NOTES AND DIMENSIONS | | LA | TKE | 2PC. VINYL INSULATED, #16-14 BARREL, FORKS | | | | | | | | | | | |
| R | 3/88 | FS | LM | RELEASED | | LA | JRB | | | | | | | | | | | | |
| REV | DATE | BY | CHK | DESCRIPTION | ECN # | CUST | PM | DRAWN BY | CHK'D | SCALE | DRAWING NO. | | | | | | | | |
| | | | | | | | | FES | FES | NONE | A41193 | | | | | | | | |