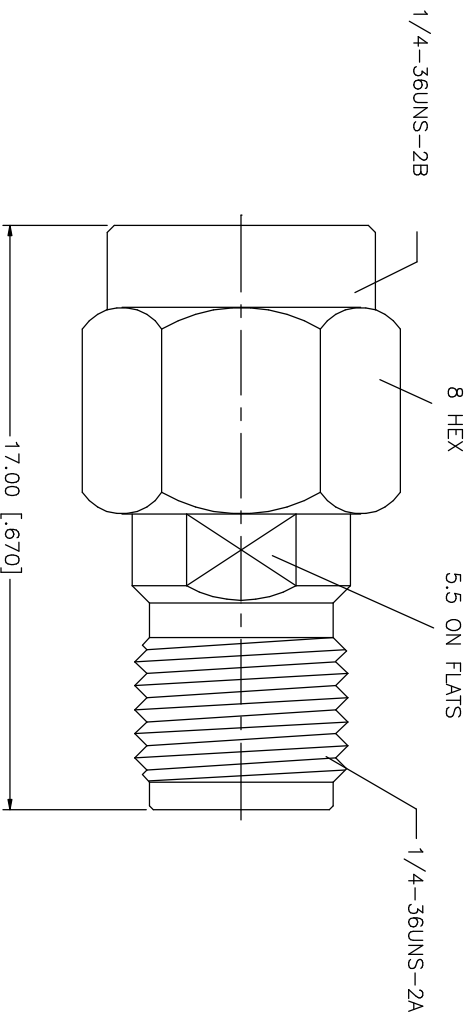


REV.	DATE	DESCRIPTION
A	06/05/03	UPDATE DRAWING FORMAT



NO.	DESCRIPTION	MATERIAL	FINISH	QTY	UNLESS OTHERWISE SPECIFIED DIMENSIONS ARE IN MILLIMETERS. DIMENSIONS IN [] ARE IN INCHES AND FOR CUSTOMER REFERENCE ONLY.	UNLESS OTHERWISE SPECIFIED TOLERANCES FOR MILLIMETERS ARE:	UNLESS OTHERWISE SPECIFIED TOLERANCES FOR INCHES ARE:	APPROVALS	DATE	PART DESCRIPTION	
8						0.5 - 8mm ± 0.20mm	.020 - .315 = ± 0.007"	DRAWN	G.R.S.	06/05/03	<h1 style="text-align: center;">Amphenol Connex</h1> <p style="text-align: center;">SMA MALE TO FEMALE ADAPTER</p>
7					8 - 30mm ± 0.40mm	.315 - 1.180 = ± 0.015"	CHECKED				
6					30 - 120mm ± 0.50mm	1.180 - 4.724 = ± 0.020"	ISSUED				
5							SHEET	1 OF 1			
4							CAD FILE	C:/132/132171.DWG			
3	CONTACT PIN	BER. COPPER	GOLD	1			DWG. NO.	132171.DWG	REV.	A	
2	INSULATOR	TEFLON	NATURAL	1			SIZE	A	SCALE	NA	
1	BODY	BRASS	GOLD	1							
	DESCRIPTION	MATERIAL	FINISH	QTY	DO NOT SCALE DRAWING						