

Switch Language

English

Need Assistance?

- Contact Us
- Find a Distributor
- Order Samples
- Tech Library

Printer-friendly page

Email this page

[Home](#) [Datasheet](#)

Part Number: 0191300045

Status: Active

Description: BLOCK SPADE INSULKRIMP (B-2781-08X)

Documents:

Note - Please disable browser pop-up blockers for documents on www.molex.com

[Drawing \(PDF\)](#)

Order Products:

[Check Distributor Inventory](#) [Add to My Parts](#)

Part Detail: [\(show all\)](#)

[Physical](#) [Electrical](#) [Material Info](#)

Product Family Series Molex Parts [19130](#)

Physical

Flammability 94-V2

Electrical

CSA LR18689
UL E32244

Material Info

Old Part Number B-2781-08X



EU RoHS

ELV and RoHS Compliant

China RoHS



Need more information on product compliance?

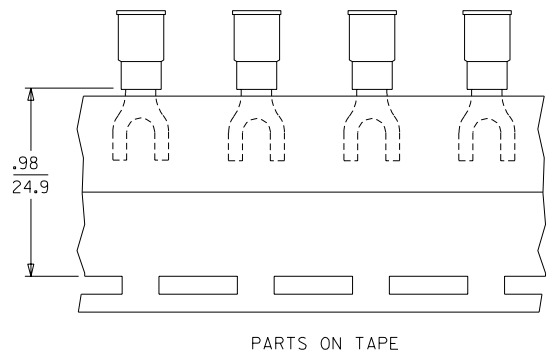
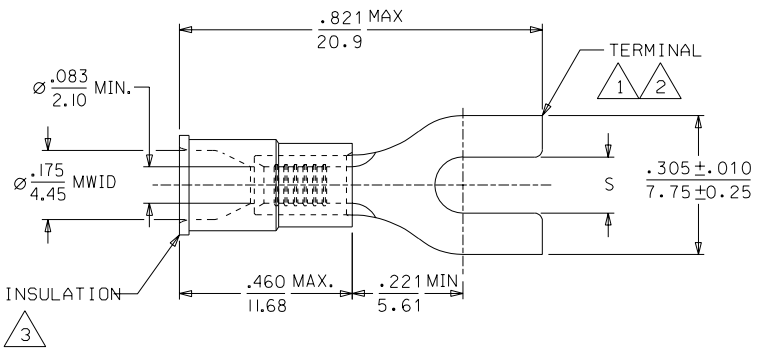
Email productcompliance@molex.com

Please visit the [Contact Us](#) section for any non-product compliance questions.

Search Parts in this Series

[19130](#) Series

MATERIAL NUMBER	ENGINEERING NUMBER	STUD SIZE	"S" ±.005/(0.13)	PACKAGING
191420043	B-2781-04X	4	.119/(3.02)	LOOSE PIECE
191300044	B-2781-06X	6	.146/(3.71)	
191300045	B-2781-08X	8	.173/(4.39)	
191300046	B-2781-10X	10	.198/(5.03)	
191420174	B-2781-04XT	4	.119/(3.02)	TAPE MOUNTED
191300012	B-2781-06XT	6	.146/(3.71)	
191300013	B-2781-08XT	8	.173/(4.39)	
191300046	B-2781-10XT	10	.198/(5.03)	



SALES DRAWING

- NOTES:
 1. MATERIAL: COPPER .032/.030(.81/.76) THICK.
 2. PLATING: ELECTRO-TIN.
 3. INSULATION: MOLDED PVC (BLUE).
 5. MWID=MAXIMUM WIRE INSULATION DIAMETER.

NAME CHANGE EC NO. E1C2002-0070 DRAWN: BRE 01/09/06 CHK: RWD 01/09/06 APPR: RWD 01/09/06	DESCRIPTION MAJOR CRITICAL C=0	GENERAL TOLERANCES: (UNLESS SPECIFIED)		SCALE 4:1	DESIGN UNITS <input type="checkbox"/> mm <input checked="" type="checkbox"/> INCH	THIRD ANGLE PROJECTION	DIMENSIONS: <input type="checkbox"/> mm <input checked="" type="checkbox"/> INCH <input type="checkbox"/> mm ONLY	SHT	REV			
		4 PLACES ±0.1	3 PLACES ±0.1	2 PLACES ±0.1	1 PLACE ±0.1	ANGULAR: ±1/2°	DRAWN BY & DATE BRE 01/08/15	CHECKED BY & DATE RWD 01/08/15	APPROVED BY & DATE RWD 01/08/15	CAD FILENAME SD-19130-003.DGN	MATERIAL NO. SEE CHART	DRAWING NO. SD-19130-003
DRAFT WHERE APPLICABLE MUST REMAIN WITHIN DIMENSIONS		THIS DRAWING CONTAINS INFORMATION THAT IS PROPRIETARY TO MOLEX INCORPORATED AND SHOULD NOT BE USED WITHOUT WRITTEN PERMISSION.										