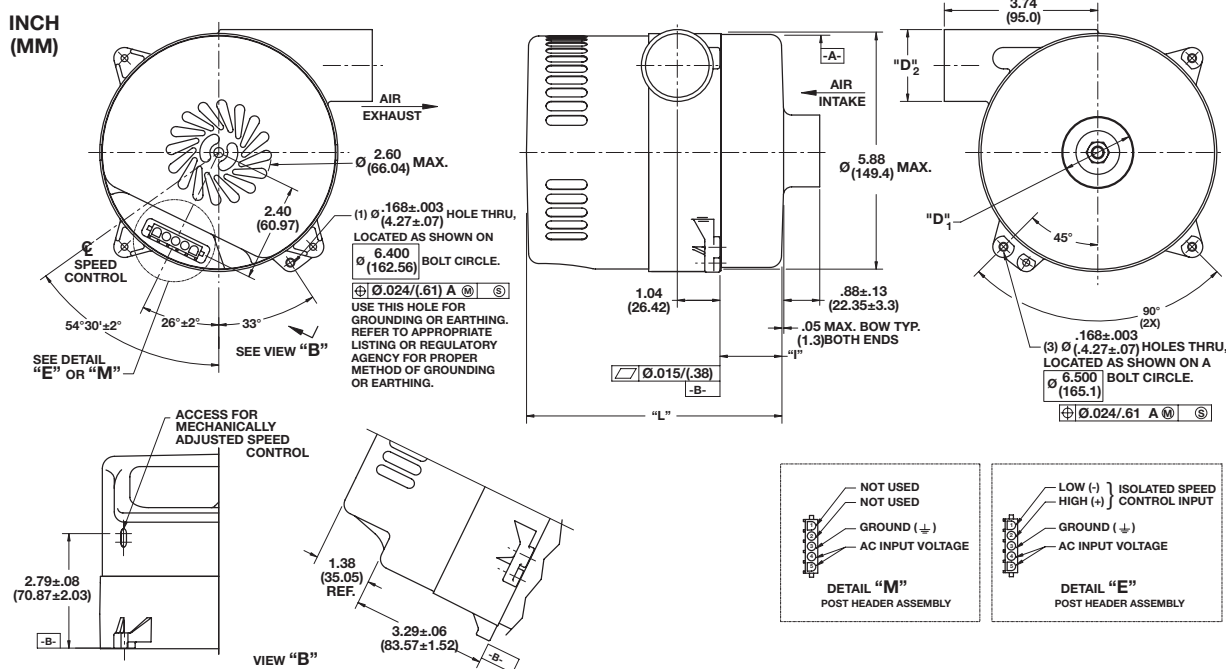


5.7" (145mm) DC Bypass Blower

1200 Watt, 240 Volt Standard Flow – IntelliGen™



Blower Data	Unit of Measure	Part Number
		Standard Flow
Stages	—	117416 M* / 117415 E*
Vacuum, Maximum (Sealed Vacuum)	in. H ₂ O	3
	mBar	154
Pressure, Maximum (Sealed Pressure)	in. H ₂ O	385
	mBar	169
Flow Rate, Maximum (Open Flow)	CFM	421
	m ³ /hr	87
Inlet/Outlet Diameter (Dimension "D" above)	inches	148
	mm	31.75
Length (Dimension "I" above)	inches	2.12
	mm	53.85
Length (Dimension "L" above)	inches	6.87
	mm	172.21

* These part numbers are available through AMETEK Technical & Industrial Products' distributors.

NOTES:

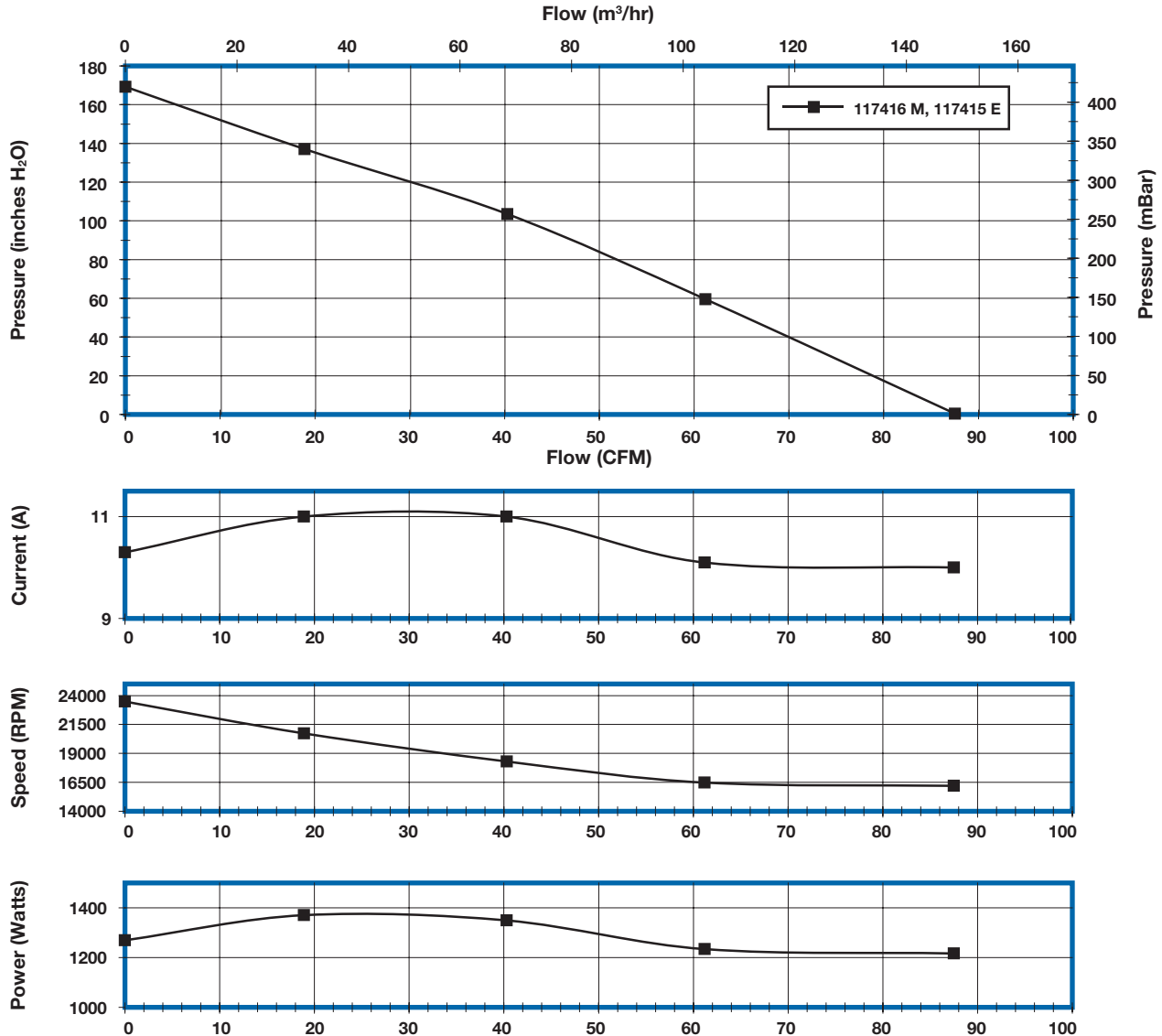
OPERATING PARAMETERS:

- **Input Voltage Range:** 240 Volt AC Models: 208 to 264 VAC RMS, 50/60 Hz, single phase, maximum running current 10 Amps RMS.
Note: Although this unit contains a lockout feature that detects low voltage conditions, the electronics should not be operated continuously below the input voltage range listed above.
- **Isolated Speed Control:**
Analog Input Voltage Range: 2.2 to +10 VDC nominal, (+12 VDC maximum).
Digital Pulse Input: 400 Hz to 20 KHz, 0 to +10 Volt pulse nominal, minimum duty cycle 10%, 0 to +12 Volt maximum.
Note: Setting of potentiometer can affect control voltage range and maximum speed can be reached before reaching 10 VDC.
- **Speed Control Input Current:** Less than 20 mA at 10 Volts input with multi turn internal potentiometer set to minimum (fully counter-clockwise).
- **Speed Control Drift with Temperature:**
Analog Mode: Typ. +/-4% from nominal speed at +23°C.
Digital or Direct Mode: Typ. +/-4% from nominal speed at +23°C.
- **Operating Temperature:** 0°C to 50°C.
- **Storage Temperature:** -40°C to 85°C.
Note: Internal electronic controller is thermally protected.
- **Dielectric Testing:** 1500 Volts AC RMS 60 Hz applied for one second between input pins and ground, 3mA leakage max.
- **Approximate Weight:** 6 lbs.

5.7" (145mm) DC Bypass Blower

1200 Watt, 240 Volt Standard Flow – IntelliGen™

TYPICAL PERFORMANCE



HIGH-VOLTAGE
BLDC BLOWERS

INSTALLATION:

- The blower must be secured using mounting tabs, prior to applying power. This is a high speed device with rapid acceleration.
- **Connections:**
All of the Windjammer IntelliGen™ series blowers have a standard 5 pin connector.
A mating connector with leads is supplied with single pack units only.
Negative pressure applications will exhibit reduced performance.
The electronic cooling intake and exhaust must remain unobstructed.
Exhaust air must be prohibited from being recycled to inlet air.
If blower is to be cycled frequently, the DC speed command should be used.
For use in industrial applications, use AMETEK Technical & Industrial Products cooling air filters.
Note: Utilize AMETEK external EMC filter accessory to meet EN61000-4-6 requirement.
- **Option Circuit Connections:** Please consult with AMETEK for connection details for all optional and custom circuitry.
- Utilizes AMETEK's IntelliGen™ control electronics.

This document is for informational purposes only and should not be considered as a binding description of the products or their performance in all applications. The performance data on this page depicts typical performance under controlled laboratory conditions using AMETEK BLDC motor controllers. Actual performance will vary depending on the operating environment and application. AMETEK products are not designed for and should not be used in medical life support applications. AMETEK reserves the right to revise its products without notification. The above characteristics represent standard products. For product designed to meet specific applications, contact AMETEK Technical & Industrial Products Marketing and Sales.

AMETEK TECHNICAL & INDUSTRIAL PRODUCTS

627 Lake Street, Kent OH 44240

Tel: +1 330-673-3452 • Fax: +1 330-677-3306 • www.ametektip.com