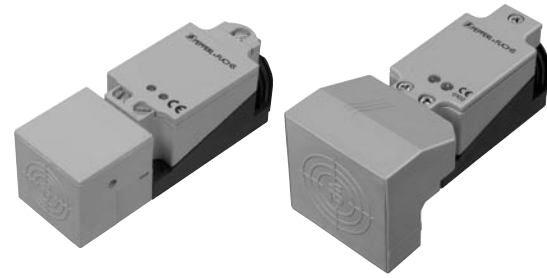


Limit Switch Style Inductive Sensors

- 15 to 40 mm sensing ranges
- Limit switch style housing
- LED power and target indication
- Terminal connection wiring



Technical Specifications

SUPPLY VOLTAGE	20-250 VAC
SUPPLY FREQUENCY	45-65 Hz
LOAD CURRENT (I _L)	500 mA max.
LEAKAGE CURRENT (OFF-STATE)	≤ 1.7 mA
OUTPUT	Normally open
VOLTAGE DROP AT I _L (MAX.)	≤ 5 V
INRUSH CURRENT	≤ 4 A/20 ms
HYSTERESIS	3-15% (5% typical)
SHORT CIRCUIT AND OVERLOAD PROTECTION	No
REVERSE POLARITY PROTECTED	No
LED INDICATION	See dimension drawings
SENSING FACE MATERIAL	PBT
STANDARDS	EN 60947-5-2
ENVIRONMENTAL PROTECTION	IP67
AMBIENT TEMPERATURE	-13 °F to +158 °F (-25 °C to +70 °C)
APPROVALS	



See pages 803-854 for cordsets



See pages 865-872 for accessories

2-Wire AC

Terminal Connection Models

Model Number	Range (mm)	Mounting	Electrical Output	Switching Frequency	Housing Material	Electrical Connection	Dwg. No.
NJ15+U4+W ⚡	15	Flush	N.O. or N.C.	25 Hz	PBT w/metal base	Terminal housing	1
NJ20+U4+W ⚡	20	Nonflush	N.O. or N.C.	20 Hz	PBT w/metal base	Terminal housing	1
NJ30+U4+W ⚡	30	Nonflush	N.O. or N.C.	20 Hz	PBT w/metal base	Terminal housing	1
NJ40+U4+W ⚡	40	Nonflush	N.O. or N.C.	20 Hz	PBT w/metal base	Terminal housing	2

Consult factory for other connection options.

⚡ Stocked item

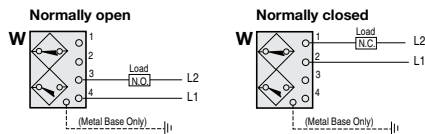
- Typical delivery 4 weeks or less
- Consult factory for all other models

Wiring Diagrams

2-Wire AC



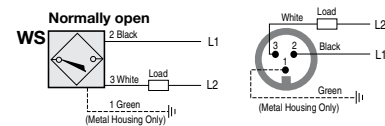
Terminal Connection



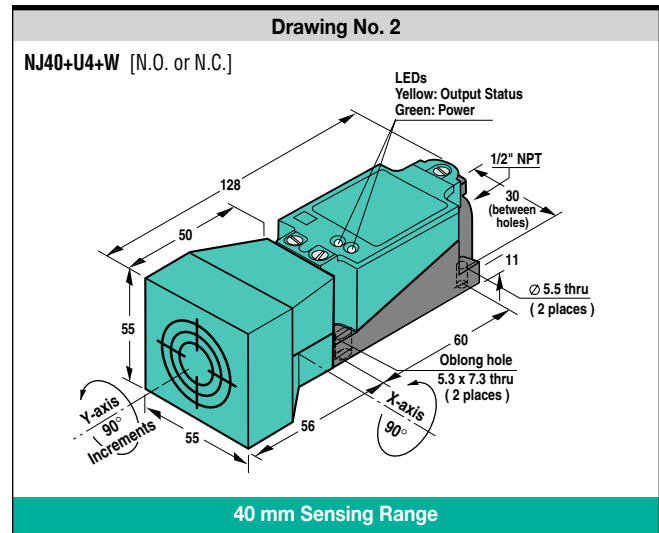
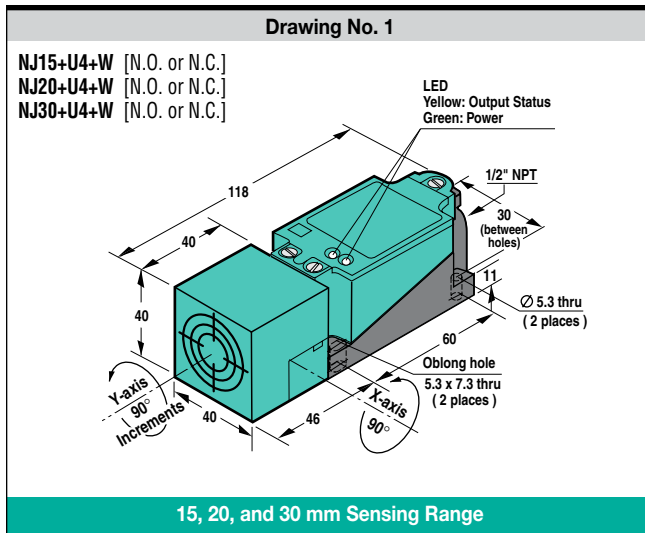
Quick Disconnect

Note: Wiring diagrams show quick disconnect pin numbers.

BHM Type



Limit Switch Style



Recommended Accessories



MH4-2681 UNI



MH4-2057

Mounting Brackets

Model	Description
MH4-2681 UNI	Adjustable Unistrut® bracket
MH4-2057	Adjustable slide bracket

See pages 865-872 for complete accessory listing.

Inductive Surface Mount

2-Wire AC