

Switch Language

English

Need Assistance?

- Contact Us
- Find a Distributor
- Order Samples
- Tech Library

Printer-friendly page

Email this page

[Home](#) [PCB Headers](#) [Datasheet](#)

Part Number: 0705530001

Status: Active

Description: 2.54mm (.100") Pitch SL(TM) Header, Low Profile, Single Row, Right Angle, .120" Pocket, Shrouded, 2 Circuits, 0.38µm (15µ") Gold (Au) Selective Plating, Tin (Sn) PC Tail Plating

Documents:

Note - Please disable browser pop-up blockers for documents on www.molex.com

- [Drawing \(PDF\)](#)
- [Product Specification PS-70400 \(PDF\)](#)
- [Product Specification PS-70541 \(PDF\)](#)
- [3D Model](#)
- [Related Catalog Page \(PDF\)](#)
- [Packaging Specification \(PDF\)](#)

Order Products:

- [Check Distributor Inventory](#)
 - [Add to My Parts](#)
- [Request Samples](#)

Part Detail: [\(show all\)](#)

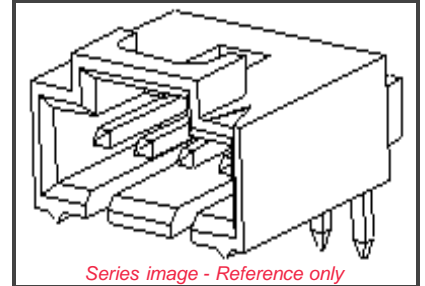
[General](#) [Physical](#) [Electrical](#) [Material Info](#)

General

Product Family	PCB Headers
Series	<u>70553</u>
Application	Wire-to-Board
Product Name	SL™

Physical

Breakaway	No
Circuits (Loaded)	2
Circuits (maximum)	2
Color - Resin	Black
Durability (mating cycles) min	50 cycles
Flammability	94V-0
Guide to Mating Part	Yes
Lock to Mating Part	Yes
Material - Metal	Brass
Material - Metal	Phosphor Bronze
Material - Plating Mating	Gold
Material - Plating Termination	Tin
Material - Resin	High Temperature Thermoplastic
Number of Rows	1
Orientation	Right Angle
PC Tail Length (in)	0.130 In
PC Tail Length (mm)	3.30 mm
PCB Locator	No
PCB Retention	None
PCB Thickness Recommended (in)	0.062 In
PCB Thickness Recommended (mm)	1.60 mm
Packaging Type	Tube
Pitch - Mating Interface (in)	0.100 In
Pitch - Mating Interface (mm)	2.54 mm
Plating min: Mating (uin)	15



EU RoHS **China RoHS**
ELV and RoHS Compliant



Need more information on product compliance?

Email productcompliance@molex.com

Please visit the [Contact Us](#) section for any non-product compliance questions.

Duration at Max. Process Temperature (seconds)	3
Lead-free Process Capability	Wave Capable (TH only)
Max. Cycles at Max. Process Temperature	1
Process Temperature max. C	260

Search Parts in this Series
[70553 Series](#)

Mates With
[70066n](#), [70066g](#), [70430g](#), [70400g](#)
Housing

Plating min: Mating (um)	0.375
Plating min: Termination (uin)	75
Plating min: Termination (um)	1.875
Polarized to Mating Part	Yes
Shrouded	Fully
Stackable	No
Temperature Range - Operating	-40°C to +105°C
Termination Interface: Style	Through Hole

Electrical

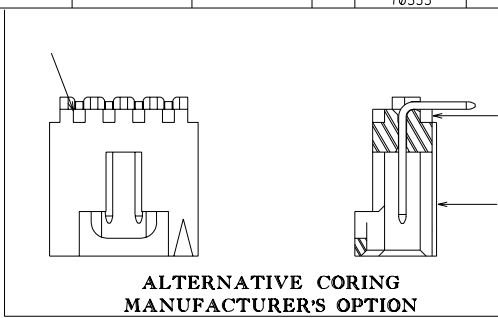
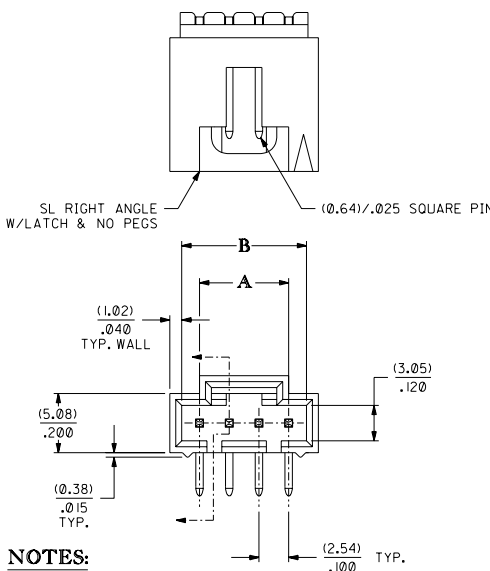
CSA	LR19980
Current - Maximum	3.000 Amp
UL	E29179
Voltage - Maximum	250V

Material Info

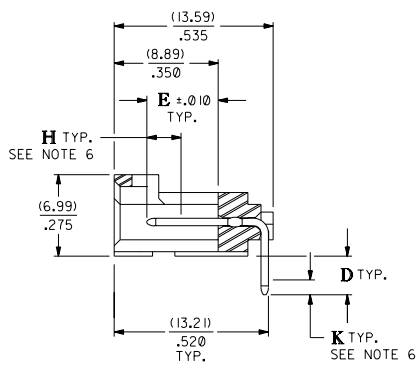
Reference - Drawing Numbers

Product Specification	PS-70400
Product Specification	PS-70541
Sales Drawing	SDA-70553-****

13 12 11 10 9 8 7 6 5 4 3 2 1



**ALTERNATIVE CORING
MANUFACTURER'S OPTION**



RECOMMENDED PC BOARD LAYOUT
(FOR USE WITH (1.57) / .062 THICK BOARD)

CKT. SIZE	DIM. "A"		DIM. "B"	
	MM	IN.	MM	IN.
2	2.54	.100	5.33	.210
3	5.08	.200	8.13	.320
4	7.62	.300	10.67	.420
5	10.16	.400	13.21	.520
6	12.70	.500	15.75	.620
7	15.24	.600	18.29	.720
8	17.78	.700	20.83	.820
9	20.32	.800	23.37	.920
10	22.86	.900	25.91	1.020
11	25.40	1.000	28.45	1.120
12	27.94	1.100	30.99	1.220
13	30.48	1.200	33.53	1.320
14	33.02	1.300	36.07	1.420
15	35.56	1.400	38.61	1.520
16	38.10	1.500	41.15	1.620
17	40.64	1.600	43.69	1.720
18	43.18	1.700	46.23	1.820
19	45.72	1.800	48.77	1.920
20	48.26	1.900	51.31	2.020
21	50.80	2.000	53.85	2.120
22	53.34	2.100	56.39	2.220
23	55.88	2.200	58.93	2.320
24	58.42	2.300	61.47	2.420
25	60.96	2.400	64.01	2.520

NOTES:

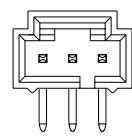
1. HEADER MATERIAL: GLASS FILLED POLYESTER; UL94V-0; COLOR: BLACK
PIN MATERIAL: PHOSPHOR BRONZE
2. HEADER TO BE USED WITH OPTION 'G' 70400 AND 70430 SERIES SL CONNECTORS.
3. REFER TO MOLEX PRODUCT SPECIFICATION PS-70541.
4. STANDARD PACKAGING IN TUBES PER PK-70873-0015 OR OPTIONAL PACKAGING IN BAGS PER PK-70873-0535. OPTIONAL PACK NOT AVAILABLE FOR ALL CKT. SIZES.
5. DIMENSIONS WITHOUT TOLERANCE ARE SHOWN FOR REFERENCE ONLY.
6. MEASURE POINT FOR PLATING THICKNESS.

PLATING:

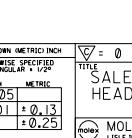
- TIN - .000150 MINIMUM TIN PLATE OVER .000050 MINIMUM NICKEL PLATE.
- 15 GOLD - .000015 MINIMUM GOLD PLATE IN SELECT AREA, .000075 MINIMUM TIN PLATE IN SELECT AREA, OVER .000050 MINIMUM NICKEL PLATE OVERALL.
- 30 GOLD - .000030 MINIMUM GOLD PLATE IN SELECT AREA, .000075 MINIMUM TIN PLATE IN SELECT AREA, OVER .000050 MINIMUM NICKEL PLATE OVERALL.

*THE PRIMARY SHIPPING CARTON WILL BE LABELED *COMPLIANT TO RoHS DIRECTIVE 2002/95/EC AND ELV ANNEX II OF DIRECTIVE 2000/53/EC*. CARTONS WITHOUT THIS LABEL MAY CONTAIN PRODUCT WITH LEAD.

2 CIRCUIT



3 CIRCUIT



REMOVED -0071-0094 PER UDT2002-0981 RSFOX 02/03/11		DIMENSIONS SHOWN (METRIC) INCH UNLESS OTHERWISE SPECIFIED TOLERANCES ANGULAR ± 1/32°		REVISIONS ONLY ON CAD SYSTEM	
ADDED TOLERANCES PER UDT2001-0723 JRWILLIAMS 01/04/24		INCH METRIC 2 PLACE ± .005 ± 0.13 3 PLACE ± .01 ± 0.25		TITLE SALES ASSY, SL RIGHT ANGLE HEADER W/LATCH & NO PEGS (2.54) / .100 CENTERS	
LEAD FREE ECN* UCP2004-1512 RWWHITE 04/02/12		MODIFIED HOUSING MATERIAL CALLOUT ECN* UDT1999-0669 DMORGAN 99/04/26		MOLEX INCORPORATED SHEET NO. DATE L15L3ALL 60532 U.S.A. 1 OF 3 05/13/93	
LTR. REVISIONS		LTR. REVISIONS		PART NO. SEE SHT 283 DRWG. NO. SDA-70553-***** FILE NAME 570553X1 NO DRAWING CONTACT INFORMATION THIS IS PROPERTY OF MOLEX INC. AND SHOULD NOT BE USED WITHOUT WRITTEN PERMISSION. DA C	

3	H
2	H
1	H
	MFG, SH, REV.

13 12 11 10 9 8 7 6 5 4 3 2 1

CIRCUIT SIZE	ENGINEERING NUMBER A-70553	MANUFACTURE RELEASE STATUS	D REF.	E ± .010	PLATING TYPE	70553		CONNECTOR END PLATING		P.C. BOARD END PLATING		SEE PACK INFORMA. DRAWING PK-70873
						TYPE	H MEAS.	TYPE	K MEAS.			
2-10	-0001-0009	R.F.M.	(3.30)	(6.10)	15 GOLD	GOLD	(2.54)		TIN	(1.27)		-0015 (TUBES)
11-25	-0010-0024	R.F.M.	.130	.240								
2-10	-0036-0044	R.F.M.	(3.30)	(6.10)	TIN	TIN	(2.54)		TIN	(1.27)		-0015 (TUBES)
11-25	-0045-0059	R.F.M.	.130	.240								
2-10	-0106-0114	R.F.M.	(3.30)	(6.10)	30 GOLD	GOLD	(2.54)		TIN	(1.27)		-0015 (TUBES)
11-25	-0115-0129	R.F.M.	.130	.240								
2-10	-0141-0149	R.F.M.	(2.67)	(6.10)	15 GOLD	GOLD	(2.54)		TIN	(1.27)		-0015 (TUBES)
11-25	-0150-0159	R.F.M.	.105	.240								
2-10												
11-25												

CIRCUIT SIZE	ASSEMBLY ITEM NUMBER	ASSEMBLY ITEM NUMBER	ASSEMBLY ITEM NUMBER	ASSEMBLY ITEM NUMBER	ASSEMBLY ITEM NUMBER	ASSEMBLY ITEM NUMBER
2	70553-0001	70553-0036	70553-0106	70553-0141		
3	70553-0002	70553-0037	70553-0107	70553-0142		
4	70553-0003	70553-0038	70553-0108	70553-0143		
5	70553-0004	70553-0039	70553-0109	70553-0144		
6	70553-0005	70553-0040	70553-0110	70553-0145		
7	70553-0006	70553-0041	70553-0111	70553-0146		
8	70553-0007	70553-0042	70553-0112	70553-0147		
9	70553-0008	70553-0043	70553-0113	70553-0148		
10	70553-0009	70553-0044	70553-0114	70553-0149		
11	70553-0010	70553-0045	70553-0115	70553-0150		
12	70553-0011	70553-0046	70553-0116	70553-0151		
13	70553-0012	70553-0047	70553-0117	70553-0152		
14	70553-0013	70553-0048	70553-0118	70553-0153		
15	70553-0014	70553-0049	70553-0119	70553-0154		
16	70553-0015	70553-0050	70553-0120	70553-0155		
17	70553-0016	70553-0051	70553-0121	70553-0156		
18	70553-0017	70553-0052	70553-0122	70553-0157		
19	70553-0018	70553-0053	70553-0123	70553-0158		
20	70553-0019	70553-0054	70553-0124	70553-0159		
21	70553-0020	70553-0055	70553-0125	70553-0160		
22	70553-0021	70553-0056	70553-0126	70553-0161		
23	70553-0022	70553-0057	70553-0127	70553-0162		
24	70553-0023	70553-0058	70553-0128	70553-0163		
25	70553-0024	70553-0059	70553-0129	70553-0164		

X IN COLUMN UNDER *ASSEMBLY ITEM NUMBER * HEADING DENOTES TOOLING NOT AVAILABLE

H	SEE SHEET I	DIMENSIONS SHOWN (METRIC) INCH	REVISIONS
G	SEE SHEET I	UNLESS OTHERWISE SPECIFIED	
F	SEE SHEET I	TOLERANCES ANGULAR ± 1/2°	
D	SEE SHEET I	INCH METRIC	
BI	SEE SHEET I	3 PLACE ± .005 ± 0.13	
B	SEE SHEET I	2 PLACE ± .01 ± 0.25	
A	SEE SHEET I	1 PLACE ± .025	
LTR.	REVISIONS	DRAWING INFORMATION MUST REMAIN WITHIN DIMENSIONS	
		DRG. NO. 60532	
		FILE NAME 570553X2	
		NO DRAWING CONTAINS INFORMATION THAT IS PROPRIETARY TO MOLEX INC. AND SHOULD NOT BE USED WITHOUT WRITTEN PERMISSION. DA	

TITLE: SALES ASSY, SL RIGHT ANGLE HEADER W/LATCH & NO PEGS (2.54)/.100 CENTERS
 PART NO. MOLEX INCORPORATED SHEET NO. 2 DATE 05/13/93
 SEE CHART SDA-70553-*****
 U.S.A.

CIRCUIT SIZE	ENGINEERING NUMBER A-70553	MANUFACTURE RELEASE STATUS	D REF.	E ± .010	PLATING TYPE	70553	CONNECTOR END PLATING	P.C. BOARD END PLATING	SEE PACK INFORMA. DRAWING PK-70873
2-10	-0001-0009	R.F.M.	(3.30)	(6.10)	15 GOLD	GOLD	(2.54)	TIN	-0015 (TUBES)
11-25	-0010-0024	R.F.M.	.130	.240					
2-10	-0036-0044	R.F.M.	(3.30)	(6.10)	TIN	TIN	(2.54)	TIN	-0015 (TUBES)
11-25	-0045-0059	R.F.M.	.130	.240					
2-10	-0106-0114	R.F.M.	(3.30)	(6.10)	30 GOLD	GOLD	(2.54)	TIN	-0015 (TUBES)
11-25	-0115-0129	R.F.M.	.130	.240					
2-10	-0141-0149	R.F.M.	(2.67)	(6.10)	15 GOLD	GOLD	(2.54)	TIN	-0015 (TUBES)
11-25	-0150-0159	R.F.M.	.105	.240					
2-10									
11-25									