



Audio

NEUTRIK

 Deutsche Version

- Home
- About Us
- Products
- Support
- News
- Sitemap

Search

Products only

© Neutrik® AG
All rights reserved
Legal Notices



Audio

NYS Phono (RCA)

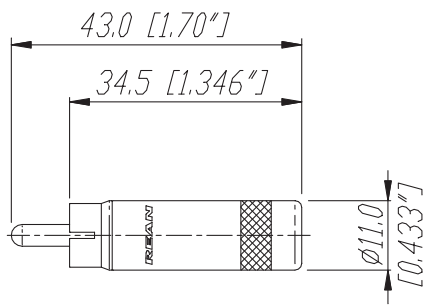
[back](#)

[Print](#)

NYS352G



Phono plug with gold plated contacts



					Werkstoff:	Maßstab:	Datum	Name	
				*Lieferant darf ohne Ruecksprache nicht geaendert werden		1:1	Gezeichnet	05.04.02	Batlogg
				Zeichnung urheberrechtlich geschuetzt (DIN 34) (C)			Geprueft		
				Benennung:	Phono ("RCA") Type NYS 352G		Ersetzt durch:	Blatt	
							Ersatz fuer:	von Blatt	
					REAN		Zeichn. Nr.	3102 ST 22 73	
Ind.	Aenderung	Datum	Name						



NYS Phono (RCA)



NYS352G

There are no technical infos for this product.

Product	
Electrical	
Contact resistance	< 10 mΩ
Dielectric strength	0,5 kVdc
Rated current per contact	depends on mated connector A
Mechanical	
Cable O.D.	≤ 7 mm
Lifetime	5000 mating cycles
Wire size	24 AWG
Material	
Contact plating	0.2 μm Au
Contacts	CuZn39Pb3
Insert	PC
Shell	CuZn39Pb3 gal 2 μm Ni plated
Environmental	
Solderability	Complies with IEC 68-2-20
Temperature range	-20 °C to +70 °C
Optical	
Mobile Cables	