

# E Series

## Double-Pole Panel Mount Pushbutton Switches



- ▶ [Back to Main Products Page](#)
- ▶ [Snap-Action Switch News](#)
- ▶ [Find a Rep / Distributor](#)
- ▶ [Request Quotation](#)
- ▶ [Ask a Question](#)
- ▶ [Application Help](#)
- ▶ [Request a Sample](#)
- ▶ [Request a Catalog](#)
- ▶ [Download Drawings \(.dxf\)](#)
- ▶ [Competitor Cross Reference](#)
- ▶ [Application Showcase](#)
- ▶ [RoHS Compliance](#)
- ▶ [Switch Parametric Search](#)

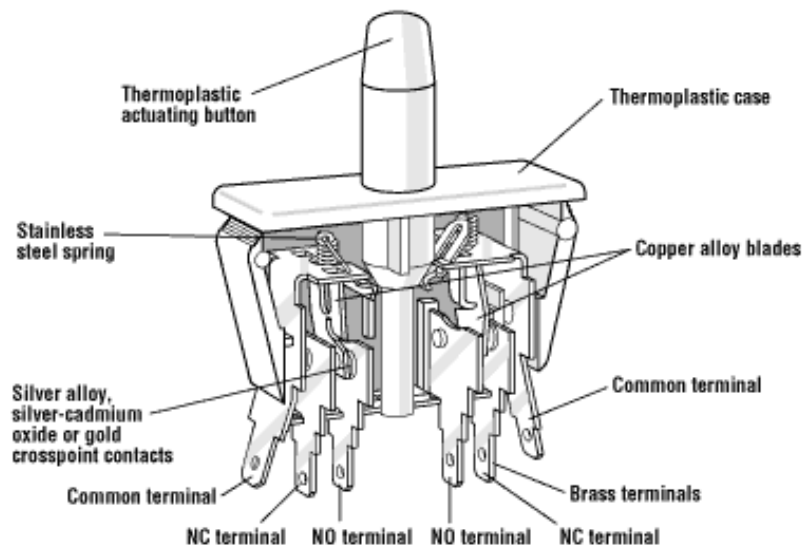
Text Search

Product Series Search

Check Distributor Stock

### Features

- Choice of Momentary, Push-Pull (reset) and Cheat Interlock switches
- Snap-in panel mounting
- Long-life coil spring, snap-action mechanism
- Agency approved extended-life versions available
- VDE approval available on select models (F Series)
- Various terminal forms available (consult factory)



[Click for Larger View](#)



download PDF

### Electrical Ratings

To download a PDF of the **Cherry Switches Master Catalog**, [click here](#).



To download the latest version of Adobe Acrobat Reader, [click here](#).



Switch Series	EN61058 Rating	UL1054 Rating	Electrical Life at Rated Load	
			According to VDE (Min. Operations)	According to UL (Min. Operations)
E75	N/A	16A, 125/250VAC; 1/3HP, 125/250VAC 0.1A@125VAC; 0.1A@30VDC optional (mixed ratings available upon request)	N/A	6,000*
E77	0.1(0.05)A, 125VAC 10(4)A, 250VAC	0.1A, 125VAC; 10A, 1/3HP, 125/250VAC	N/A	6,000*
E78	0.1(0.05)A, 125VAC	0.1A, 125VAC	N/A	6,000*
E79	10(4)A, 250VAC	10A, 125/250VAC; 1/3HP, 125/250VAC	N/A	6,000*
F77	0.1(0.05)A, 125VAC 10(4)A, 250VAC	0.1A, 125VAC; 10A, 1/3HP, 125/250VAC	50,000	6,000*
F78	0.1(0.05)A, 125VAC	0.1A, 125VAC	50,000	6,000*
F79	10(4)A, 250VAC	10A, 125/250VAC; 1/3HP, 125/250VAC	50,000	6,000*

\*Indicates 100K life available.

### Specifications

#### Electrical

Temperature Rating: -40° to +85°C

Flammability Rating: UL94V-O

#### Materials

Case: Thermoplastic Polyester (Valox used on International versions)

Actuating Button: Thermoplastic Acetal (Valox used on International versions)

Terminals: Brass\*

Moving Blade: Beryllium Copper

Spring: Stainless Steel

Contacts: Silver Alloy (E65, E69, F69)  
Gold Crosspoint (E68, F68)

\*Common terminals are plated — the remaining two terminals are not plated.

### Approvals

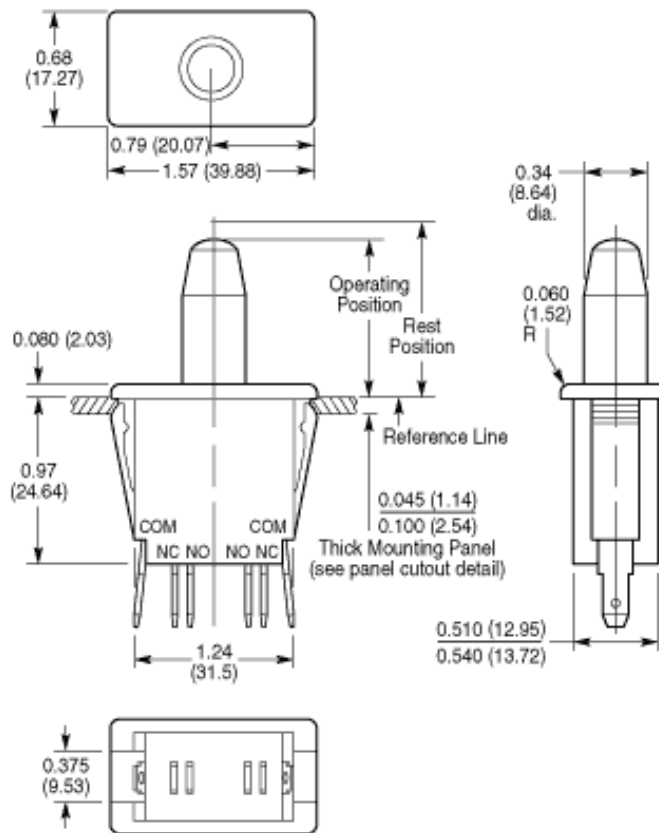


### International Versions

Switch prefix for VDE approved switches must be "F".  
Example: E78-30A becomes F78-30A.

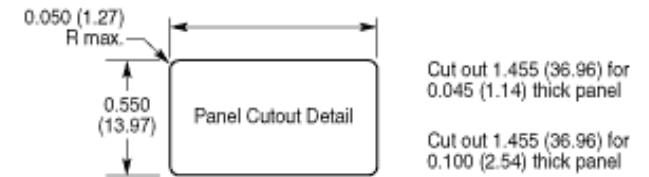
Standard terminals for VDE applications are  
0.187" x 0.032" (4.75mm x 0.81mm).

## Dimensions



Inches (mm)

[Click for Larger View](#)



Inches (mm)

[Click for Larger View](#)

## Terminals

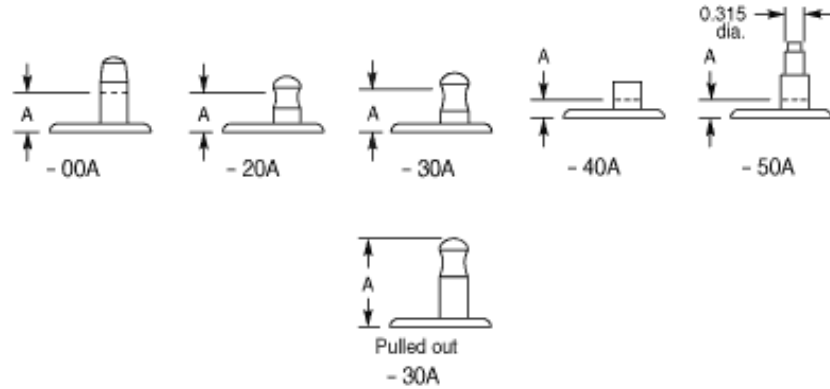
Standard terminals for this switch series are:  
0.187" x 0.020" (4.75mm x 0.51mm) for up to 10 amps, and  
0.250" x 0.032" (6.35mm x 0.81mm) for 16 amps.

Standard terminals for VDE applications are  
0.187" x 0.032" (4.75mm x 0.81mm).

Consult factory for non-standard terminal options.

## Actuator Detail

"A" dimension = full overtravel position (see table below)




## Auxiliary Button

-50A has actuator with special shaft to accept auxiliary push buttons for manual actuation.

Consult factory for auxiliary buttons.

## Actuator Specifications

Actuator Code	Switch Type	Action	Rest Position inches (mm)	Max. Pre-Travel inches (mm)	Operating Point* inches (mm)	Min. Over-Travel inches (mm)	Max. Movement Differential inches (mm)	Maximum Operating Force** (g)	Max. Full Over-Travel Position inches (mm)
-00A		Basic Momentary Action	0.845–0.905 (21.46–22.99)	0.125 (3.18)	0.720–0.820 (18.29–20.83)	0.375 (9.53)	0.075 (1.91)	680	0.400 (10.16)
-20A		Push-Pull (Reset)	0.920–0.980 (22.37–24.89)	0.150 (3.81)	0.800–0.900 (20.32–22.86)	0.300 (7.62)	0.075 (1.91)	510	0.500 (12.70)
-30A†		Momentary	0.730–0.790 (18.54–20.07)	0.125 (3.18)	0.610–0.710 (15.49–18.03)	0.100 (2.54)	0.075 (1.91)	757	0.520 (13.21)
		“Cheat Interlock” (Pull out to lock)	0.730–0.790 (18.54–20.07)	0.125 (3.18)	0.800–0.900 (20.32–22.86)	0.050 (1.27)	0.090 (2.29)	567	0.980 (24.89)
-40A		Short Button Momentary	0.420–0.480 (10.67–12.19)	0.125 (3.18)	0.300–0.400 (7.62–10.16)	0.175 (4.45)	0.075 (1.91)	680	0.125 (3.18)

-50A		For Auxiliary Push Button	0.420–0.480 (10.67–12.19)	0.125 (3.18)	0.300–0.400 (7.62–10.16)	0.175 (4.45)	0.075 (1.91)	680	0.125 (3.18)
*Measured above reference line. Refer to dimensional drawing above.									
**Operating Forces listed above are for E78/E79 switches only. E75 Operating Force: 921 grams max. for momentary switches.									
†Dual function switch: Push in to operate in normal momentary mode and pull out for maintained action.									

### Circuitry

Double throw (DPDT) and single throw normally opened or normally closed (DPST NO and DPST NC) versions are available.

To order DPDT, use "0" before the final "A" in part number.

For DPST NO, use "1"; for DPST NC use "2".

**Example:**

E78-30A = DPDT

E78-31A = DPST NO

E78-32A = DPST NC

### Ordering Information

Select the current rating you need.

Combine the corresponding Series/Prefix number with the appropriate suffix number for the actuator type and circuitry you require.

(Switch prefix for VDE approved switches must be "F")

**Example:**

E75-00A = 16A, with basic momentary action actuator, DPDT

E78-21A = 0.1A, with push-pull (reset) actuator, DPST NO

F79-32A = 10A, VDE approved/International version, with dual action actuator, DPST NC

Specifications subject to change without notice.