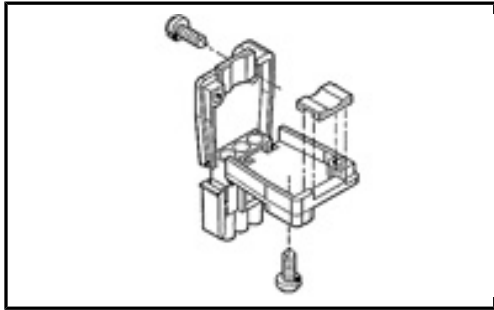




641945-1 Product Details



641945-1



[Active](#)

Soft Shell - Accessories



[Always EU RoHS/ELV Compliant](#) ([Statement of Compliance](#))

Product Highlights:

- Strain Relief
- Universal MATE-N-LOK II
- Nylon Housing Material
- Color = White
- Number of Circuits = 3

[View all Features](#) | [Find Similar Products](#)

NEW!

Documentation & Additional Information

Product Drawings:

- [STRAIN RELIEF, UNIVERSAL MATE-N-LOK, 3 CIRCUIT](#) (PDF, English)

Catalog Pages/Data Sheets:

- [INTERCONNECTS FOR NETWORKING](#) (PDF, English)
- [MULTI-USER SYSTEMS](#) (PDF, English)
- [SOFT SHELL PIN AND SOCKET CONNECTORS \(1\)](#) (PDF, English)
- [SOFT SHELL PIN AND SOCKET CONNECTORS \(2\)](#) (PDF, English)

Product Specifications:

- None Available

Application Specifications:

- None Available

Instruction Sheets:

- [Universal MATE-N-LOK II Connectors](#) (PDF, English)

CAD Files:

- None Available

Related Products:

- [Tooling](#)

[List all Documents](#)

Product Features (Please use the Product Drawing for all design activity)

Product Type Features:

- [Product Type](#) = Strain Relief
- [Connector Line](#) = Universal MATE-N-LOK II
- [Color](#) = White
- [Number of Circuits](#) = 3
- Comment = Strain relief part number represents one half of a strain relief. Two of a part number are required per connector.; Must use cap housing adapters when attaching strain reliefs to a cap housing. Two adapters required per housing.

Body Related Features:

- Insert Supplied = No
- Flammability Rating = UL 94V-0
- Wire Diameter Range (mm [in]) = 5.08 – 8.89 [0.200 – 0.350]

Contact Related Features:

- [Contact Layout](#) = In-Line

Housing Related Features:

- Housing Material = Nylon

Industry Standards:

- [RoHS/ELV Compliance](#) = RoHS compliant, ELV compliant
- [Lead Free Solder Processes](#) = Not relevant for lead free process
- RoHS/ELV Compliance History = Always was RoHS compliant

Other:

- Brand = AMP

[Provide Website Feedback](#) | [Contact Customer Support](#)

[Home](#) | [Customer Support](#) | [Suppliers](#) | [Site Map](#) | [Privacy Policy](#) | [Browser Support](#)

© 2007 Tyco Electronics Corporation All Rights Reserved