

Switch Language

English

Need Assistance?

[Contact Us](#)  
[Find a Distributor](#)  
[Order Samples](#)  
[Tech Library](#)

[Printer-friendly page](#)

[Email this page](#)

[Home](#) [Crimp Housings](#) [Datasheet](#)

**Part Number: 0039012161**

**Status: Active**      **Overview: Mini-Fit Jr.™**

**Description:** 4.20mm (.165") Pitch Mini-Fit Jr.™ Plug Housing, Dual Row, with and without Panel Mount Ears, UL 94V-2, Panel Mount, 16 Circuits

**Documents:**

*Note - Please disable browser pop-up blockers for documents on www.molex.com*

- |   |   |
|---|---|
| <a href="#">Drawing (PDF)</a>                           | <a href="#">Product Specification PS-5557-003 (PDF)</a> |
| <a href="#">Product Specification PS-5557-012 (PDF)</a> | <a href="#">Product Specification PS-5557-013 (PDF)</a> |
| <a href="#">Product Specification PS-5557-016 (PDF)</a> | <a href="#">Product Specification PS-5557-042 (PDF)</a> |
| <a href="#">3D Model</a>                                | <a href="#">Related Catalog Page (PDF)</a>              |

**Order Products:**

[Check Distributor Inventory](#)      [Add to My Parts](#)  
[Request Samples](#)

**Part Detail: (show all)**

[General](#)   [Physical](#)   [Electrical](#)   [Material Info](#)

**General**

|                |                                |
|----------------|--------------------------------|
| Product Family | Crimp Housings                 |
| Series         | <a href="#">5559</a>           |
| Comments       | Not for use with Strain Relief |
| Overview       | <a href="#">Mini-Fit Jr.™</a>  |
| Product Name   | Mini-Fit Jr.™                  |

**Physical**

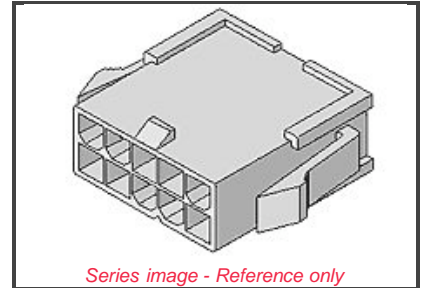
|                               |                 |
|-------------------------------|-----------------|
| Breakaway                     | No              |
| Circuits (maximum)            | 16              |
| Color - Resin                 | Natural         |
| Flammability                  | 94V-2           |
| Gender                        | Male            |
| Material - Resin              | Nylon           |
| Number of Rows                | 2               |
| Packaging Type                | Bag             |
| Panel Mount                   | Yes             |
| Pitch - Mating Interface (in) | 0.165 In        |
| Pitch - Mating Interface (mm) | 4.20 mm         |
| Pitch - Term. Interface (in)  | 0.165 In        |
| Pitch - Term. Interface (mm)  | 4.20 mm         |
| Polarized to Mating Part      | Yes             |
| Stackable                     | No              |
| Temperature Range - Operating | -40°C to +105°C |

**Electrical**

|     |         |
|-----|---------|
| CSA | LR19980 |
| TUV | R75142  |
| UL  | E29179  |

**Material Info**

|                 |          |
|-----------------|----------|
| Old Part Number | 5559-16P |
|-----------------|----------|



**EU RoHS**      **China RoHS**  
**ELV and RoHS Compliant**



**Need more information on product compliance?**

Email [productcompliance@molex.com](mailto:productcompliance@molex.com)

Please visit the [Contact Us](#) section for any non-product compliance questions.

**Search Parts in this Series**

[5559](#) Series

**Mates With**

[5557d](#) Receptacle Housing

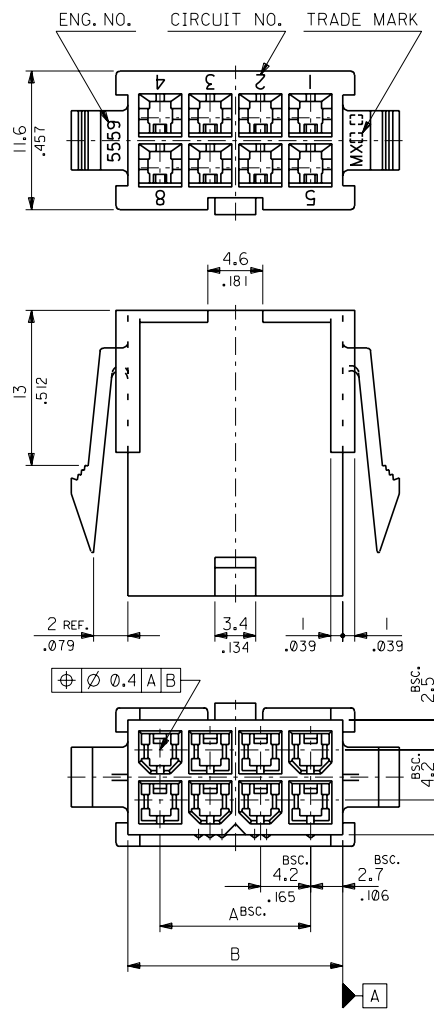
**Use With**

[5558](#), [44478](#), [30490](#), [41995](#)

**Reference - Drawing Numbers**

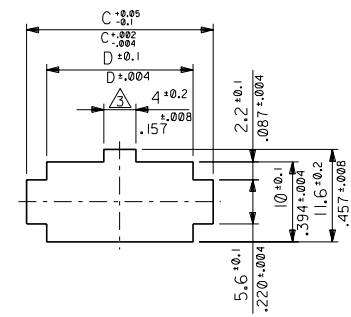
|                       |             |
|-----------------------|-------------|
| Product Specification | PS-5557-003 |
| Product Specification | PS-5557-012 |
| Product Specification | PS-5557-013 |
| Product Specification | PS-5557-016 |
| Product Specification | PS-5557-042 |
| Sales Drawing         | SD-5559-NP  |

ENG. NO. SD-5559-NP  
EDP NO. 39-01-2-1  
DIMENSIONS IN METRIC DO NOT SCALE DRAWING

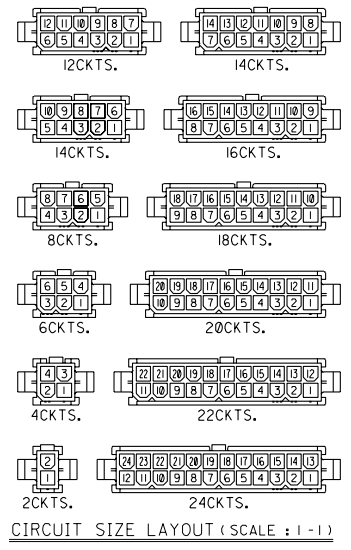


NOTES

1. TERMINAL : 5558 SERIES
2. MATES WITH : 5557-NR
- △ THIS DIMENSION IS ALLOWABLE UP TO "D" DIMENSION IN CASE OF 2 CIRCUITS.
4. PANEL HOLE TO BE PUNCHED OUT IN THE SAME DIRECTION AS INSERTION INTO THE PANEL.



RECOMMENDED PANEL HOLE DIMENSION  
(THICKNESS : 0.8-2.0(.032-.079))



|            |            |            |            |            |          |         |
|------------|------------|------------|------------|------------|----------|---------|
| 52.1/2.051 | 57.0/2.244 | 51.6/2.031 | 46.2/1.819 | 39-01-2241 | 5559-24P | 24      |
| 47.9/1.886 | 52.8/2.079 | 47.4/1.866 | 42.0/1.654 | ▲ -2221    | ▲ -22P   | 22      |
| 43.7/1.720 | 48.6/1.913 | 43.2/1.701 | 37.8/1.488 | -2201      | -20P     | 20      |
| 39.5/1.555 | 44.4/1.748 | 39.0/1.535 | 33.6/1.323 | -2181      | -18P     | 18      |
| 35.3/1.390 | 40.2/1.583 | 34.8/1.370 | 29.4/1.158 | -2161      | -16P     | 16      |
| 31.1/1.224 | 36.0/1.417 | 30.6/1.205 | 25.2/.992  | -2141      | -14P     | 14      |
| 26.8/1.055 | 31.8/1.252 | 26.4/1.039 | 21.0/.827  | -2121      | -12P     | 12      |
| 22.6/.890  | 27.6/1.087 | 22.2/.874  | 16.8/.661  | -2101      | -10P     | 10      |
| 18.4/.724  | 23.4/.921  | 18.0/.709  | 12.6/.496  | -2081      | -08P     | 8       |
| 14.2/.559  | 19.2/.756  | 13.8/.543  | 8.4/.331   | -2061      | -06P     | 6       |
| 10.0/.394  | 15.0/.591  | 9.6/.378   | 4.2/.165   | ▼ -2041    | ▼ -04P   | 4       |
| 5.8/.228   | 10.8/.425  | 5.4/.213   | —          | 39-01-2021 | 5559-02P | 2       |
| D          | C          | B          | A          | EDP NO.    | ENG. NO. | CIRCUIT |

|                         |      |                   |                   |
|-------------------------|------|-------------------|-------------------|
| 角度 ANGLE                | ±3°  | 材料 MATERIAL       | NYLON 66, UL94V-2 |
| 30°以上 OVER              | ±0.4 | 仕上げ FINISH        | —                 |
| 10°以上 未過 UNDER          | ±0.2 | 適用電線範圍 WIRE RANGE | —                 |
| 10° UNDER               | ±0.2 | 被覆外径 INS. RANGE   | —                 |
| 一般公差 GENERAL TOLERANCES | —    | REVISION RECORD   | —                 |

REVISION RECORD: G REVISED & REDRAWN (4/8/0632) PLH V.Y. 88/10/11 H.HIRAMOTO Y.YAMADA DRAWN BY 88/10/4 CHK'D BY 88/10/21 APP'D BY 88/10/24 M.ENOMOTO SCALE 3-1

THIS DRAWING CONTAINS INFORMATION THAT IS PROPRIETARY TO MOLEX/JAPAN AND SHOULD NOT BE USED WITHOUT WRITTEN PERMISSION. 本図面は日本モレックス(株)の所有する情報を含むもので 当社の許可なく複製を禁止する。 MXJ-8