

Cooper Bussmann

[Homepage](#)
[About Cooper Bussmann](#)
[Contact Us](#)
[Privacy](#)
[Legal](#)
[Cooper Bussmann® Brand](#)
[Site Map](#)

GMA-200mA

Fast Acting, 5 X 20 MM, Glass Tube Fuse

Product Information

| | |
|-----------------|-----------------|
| Product Type: | Fuse |
| Product Family: | Electronic |
| Brand: | Cooper Bussmann |

Recommended Products

| | |
|-------------------------------|----------------------------|
| Rec. Fuse Block: | HTC-15M |
| Rec. Inline Fuse Holder: | HHT |
| Rec. Panel-mount Fuse Holder: | HTB Series |
| Rec. Fuse Clips: | 1A3399 |

Physical Properties

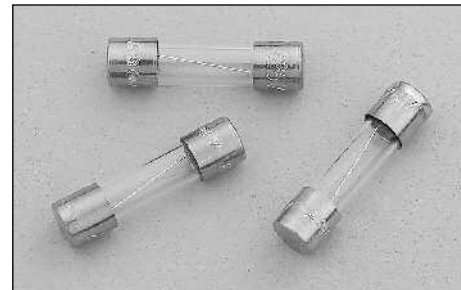
| | |
|-------------|-----------------------------------|
| Dimensions: | 0.79in.(L) × 0.19in.(W) × 0in.(H) |
|-------------|-----------------------------------|

Electrical Properties

| | |
|---------------------------|---|
| Maximum AC Voltage: | 250 |
| Amperage Rating: | 0.2 |
| AC Interrupting Ratings: | <ul style="list-style-type: none"> • 35 at 250V • 10000 at 125V |
| Melting I ² T: | 0.001 |
| Fast Acting: | Yes |
| Voltage Drop: | 3400 |

Description

- Fast acting, low breaking capacity
- Optional axial leads available
- 5mm x 20mm physical size
- Glass tube, nickel-plated brass endcap construction
- Designed to UL/CSA 248-14



| ELECTRICAL CHARACTERISTICS | | |
|----------------------------|-----------------|--------------------|
| Rated Current | % of Amp Rating | Opening Time |
| 63mA - 10A | 100% | None |
| | 135% | 60 minutes maximum |
| | 200% | 2 minutes maximum |

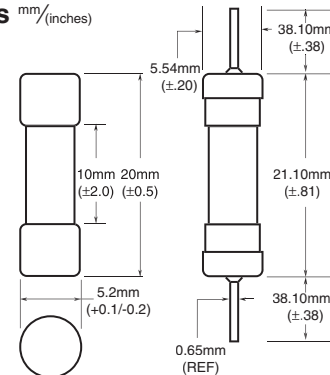
Agency Information

- UL Listed, Guide JDYX, File E19180, 63mA-6A
- UL Recognized Card: (7A-15A) Guide JDYX2, File E19180
- CSA Certified, Class 1422-01, File E65063, 63mA-6A
- MITI Approval, 1A-15A
- CCC Approval, 63mA-6A

Ordering

- Specify packaging, product, and option code
- For -R option, drop mA or A from product code (i.e. GMA-2-R)

Dimensions mm/(inches)



- Ratings above 6.3A have a 0.8mm diameter lead
- With TR2 packaging code, lead wire length is 19.05mm

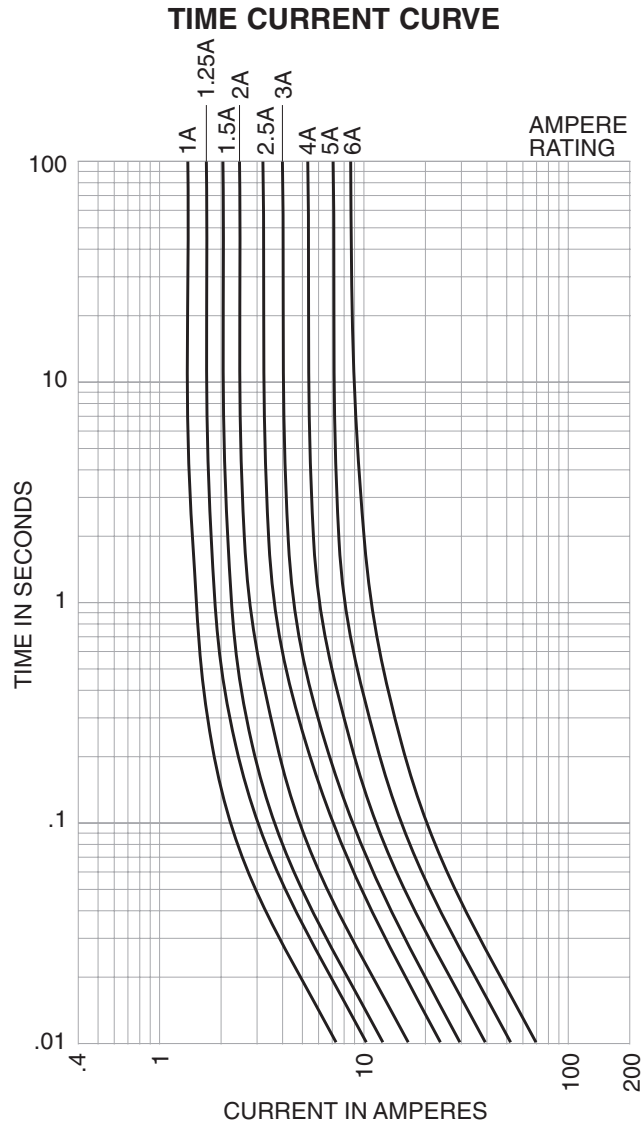
| SPECIFICATIONS | | | | | | |
|----------------|-------------------|-------------------------|---------|-------------------------------------|--------------------------------------|----------------------------|
| Product Code | Voltage Rating AC | AC Interrupting Rating* | | Typical DC Cold Resistance (ohms)** | Typical Pre-Arc I [†] t AC† | Maximum Voltage Drop (mV)‡ |
| | | 250V | 125V | | | |
| GMA-63mA | 250V | 35A | 10,000A | - | 0.00024 | 4700 |
| GMA-100mA | 250V | 35A | 10,000A | - | 0.0001 | 4300 |
| GMA-125mA | 250V | 35A | 10,000A | - | 0.0024 | 2600 |
| GMA-200mA | 250V | 35A | 10,000A | - | 0.001 | 3400 |
| GMA-250mA | 250V | 35A | 10,000A | - | 0.018 | 2200 |
| GMA-300mA | 250V | 35A | 10,000A | - | 0.019 | 470 |
| GMA-315mA | 250V | 35A | 10,000A | - | 0.019 | 450 |
| GMA-500mA | 250V | 35A | 10,000A | 0.454 | 0.15 | 230 |
| GMA-600mA | 250V | 35A | 10,000A | 0.256 | 0.32 | 200 |
| GMA-750mA | 250V | 35A | 10,000A | 0.186 | 0.47 | 200 |
| GMA-800mA | 250V | 35A | 10,000A | 0.170 | 0.70 | 180 |
| GMA-1A | 250V | 35A | 10,000A | 0.163 | 0.48 | 300 |
| GMA-1.25A | 250V | 100A | 10,000A | 0.122 | 0.84 | 290 |
| GMA-1.5A | 250V | 100A | 10,000A | 0.090 | 1.6 | 270 |
| GMA-1.6A | 250V | 100A | 10,000A | 0.080 | 2.0 | 260 |
| GMA-2A | 250V | 100A | 10,000A | 0.066 | 3.1 | 250 |
| GMA-2.5A | 250V | 100A | 10,000A | 0.046 | 4.9 | 240 |
| GMA-3A | 250V | 100A | 10,000A | 0.039 | 8.8 | 215 |
| GMA-3.15A | 125V | - | 10,000A | 0.036 | 9.7 | 210 |
| GMA-3.5A | 125V | - | 10,000A | 0.030 | 13 | 210 |
| GMA-4A | 125V | - | 10,000A | 0.026 | 19 | 205 |
| GMA-5A | 125V | - | 10,000A | 0.021 | 29 | 200 |
| GMA-6A | 125V | - | 10,000A | 0.017 | 45 | 180 |
| GMA-7A | 125V | - | 200A | 0.012 | 150 | 110 |
| GMA-8A | 125V | - | 200A | 0.009 | 280 | 110 |
| GMA-10A | 125V | - | 200A | 0.006 | 280 | 110 |
| GMA-15A | 125V | - | 150A | 0.004 | 950 | 100 |

* Interrupting ratings: Interrupting ratings for 63mA - 6A were measured at 70% - 80% power factor on AC. The interrupting ratings for 7A - 15A were measured at 100% power factor on AC.

** DC Cold Resistance (Measured at <10% of rated current)

† Typical Pre-Arching I[†]t (I[†]t was measured at listed interrupting rating and rated voltage)

‡ Maximum Voltage drop (Voltage drop was measured at 20°C ambient temperature at rated current)



| PACKAGING CODE | |
|-----------------------|---|
| Packaging Code | Description |
| BK | 100 pieces of fuses packed into a cardboard carton |
| BK1 | 1,000 pieces of fuses packed into a poly bag |
| TR2 | 1,500 pieces of fuses packed into tape on a reel (19.05mm lead wire length) |

| OPTION CODE | |
|--------------------|--|
| Option Code | Description |
| V | Axial leads - copper tinned wire with nickel plated brass overcaps |
| -R | RoHS compliant version |