

**Switch Language**

English

**Need Assistance?**

- [Contact Us](#)
- [Find a Distributor](#)
- [Order Samples](#)
- [Tech Library](#)

[Printer-friendly page](#)

[Email this page](#)

[Home](#)   [Datasheet](#)

**Part Number: 0191300009**

**Status: Active**

**Description:** BLOCK SPADE INSULKRIMP (A-238-06X)

**Documents:**

*Note - Please disable browser pop-up blockers for documents on www.molex.com*

[Drawing \(PDF\)](#)

**Order Products:**

[Check Distributor Inventory](#)   [Add to My Parts](#)

**Part Detail:** [\(show all\)](#)

[Physical](#)   [Electrical](#)   [Material Info](#)

Product Family   Molex Parts  
 Series   [19130](#)

**Physical**

Flammability   94-V2

**Electrical**

CSA   LR18689  
 UL   E32244

**Material Info**

Old Part Number   A-238-06X



**EU RoHS**

**ELV and RoHS Compliant**

**China RoHS**



**Need more information on product compliance?**

Email [productcompliance@molex.com](mailto:productcompliance@molex.com)

Please visit the [Contact Us](#) section for any non-product compliance questions.

**Search Parts in this Series**

[19130](#) Series

**NOTES:**

① MAT'L: COPPER

PLATING: ELECTRO-TIN (.0003 MIN.)

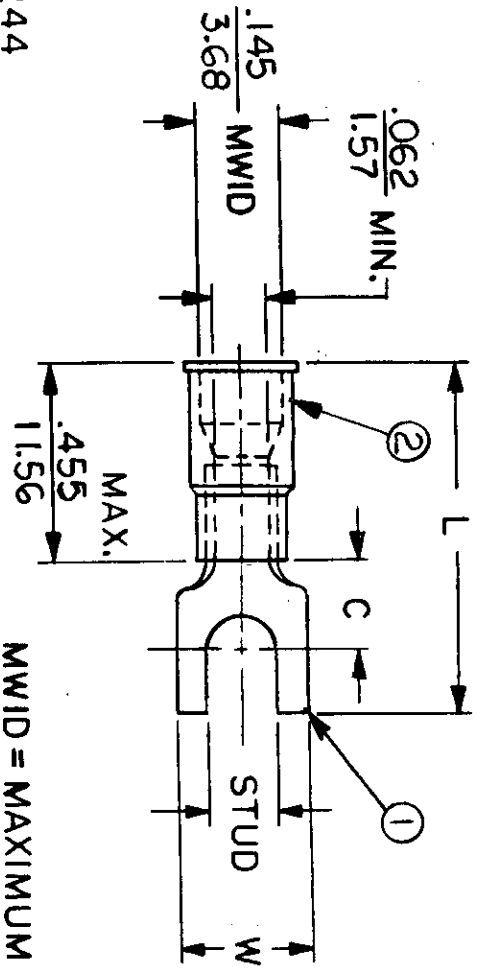
② INSULATION: MOLDED PVC (RED)

STUD SIZES: ( $\pm .005$ )

- 02 = .094
- 04 = .119
- 06 = .146
- 08 = .173
- 10 = .198
- 14 = .265
- 56 = .328
- 38 = .390

"UL" LISTING # E32244  
 "CSA" LISTING # 18689

ALL DIMENSIONS =  $\frac{\text{INCHES}}{\text{M.M}}$



MWID = MAXIMUM WIRE  
 INSULATION DIAMETER  
 WIRE SIZE: 22-18 AWG  
 25-1.5 MM<sup>2</sup>

PART NUMBER	"W" ±.010	"C" MIN.	"L" MAX.	"ID" MIN	AVAILABLE STUD SIZES	STOCK THICKNESS
A-234-	$\frac{.291}{7.39}$	$\frac{.207}{5.26}$	$\frac{.835}{21.21}$	$\frac{.062}{1.57}$	04X, 06X, 08X	$\frac{.028 \pm .001}{.71}$
A-238-	$\frac{.245}{6.22}$	$\frac{.207}{5.26}$	$\frac{.835}{21.21}$	$\frac{.062}{1.57}$	04X, 06X	$\frac{.028 \pm .001}{.71}$
A-291-	$\frac{.420}{10.67}$	$\frac{.235}{5.97}$	$\frac{.934}{23.72}$	$\frac{.054}{1.37}$	06X, 08X, 10X	$\frac{.031 \pm .001}{.79}$
A-294-	$\frac{.375}{9.53}$	$\frac{.235}{5.97}$	$\frac{.936}{23.77}$	$\frac{.054}{1.37}$	06X, 08X, 10X	$\frac{.031 \pm .001}{.79}$
A-297-	$\frac{.325}{8.26}$	$\frac{.235}{5.97}$	$\frac{.936}{23.77}$	$\frac{.054}{1.37}$	04X, 06X, 08X	$\frac{.031 \pm .001}{.79}$

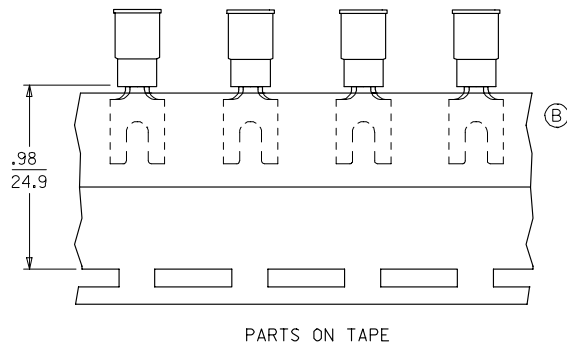
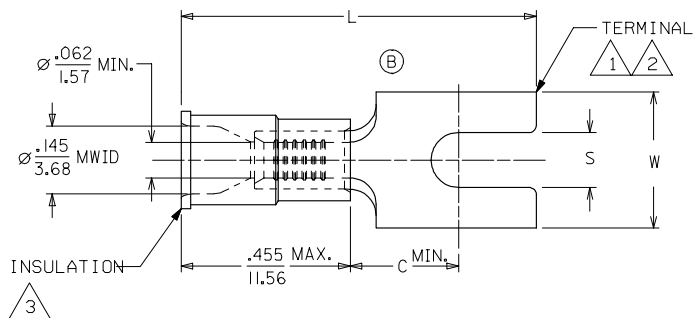
DIMENSIONAL TOLERANCES UNLESS OTHERWISE SPECIFIED		REFERENCE	SCALE:	NTS	DATE	TITLE:
FRAC.	DEC.	ANG.	DRWN. BY:	JJ	10-29-84	SPADE TONGUE TERMINAL INSULKRIMP 200-SERIES
±	±	±	CHKD. BY:	GZ	11-9-84	
			APPRD. BY:			

DWG. NO.	A	CUSTOMER DWG.
----------	---	---------------



MATERIAL NUMBER	ENGINEERING NUMBER	STUD SIZE	"S" ±.005/(0.13)	"W" ±.010/(0.25)	"C" MIN.	"L" MAX.	PACKAGING
191300008	A-238-04X	4	.119/(3.02)	.245/(6.22)	.207/(5.26)	.835/(21.21)	LOOSE PIECE
191300009	A-238-06X	6	.146/(3.71)	.245/(6.22)	.207/(5.26)	.835/(21.21)	LOOSE PIECE
191420058	A-238-04XT	4	.119/(3.02)	.245/(6.22)	.207/(5.26)	.835/(21.21)	TAPE MOUNTED
191420009	A-238-06XT	6	.146/(3.71)	.245/(6.22)	.207/(5.26)	.835/(21.21)	TAPE MOUNTED



- NOTES:  
 1. MATERIAL: COPPER  
 .029/.028(0.74/0.71)  
 THICK.  
 2. PLATING: ELECTRO-TIN.  
 3. INSULATION: MOLDED PVC (RED).  
 5. MWID=MAXIMUM WIRE INSULATION  
 DIAMETER.

REV	DESCRIPTION	QUALITY SYMBOLS	GENERAL TOLERANCES (UNLESS SPECIFIED)	DIMENSION STYLE	SCALE	DESIGN UNITS	THIRD ANGLE PROJECTION
REVISED TO BLOCK SPADE	EC NO: ETC2006-0125	▽=0	mm INCH	IN/MM	---	INCH	◎
DRAWN BY	2005/12/02	▽=0	4 PLACES ± --- ± ---	BRE	2001/08/15		
DRWNEHILLE	2005/12/06		3 PLACES ± --- ± ---	CHECKED BY	DATE		
CHKD:BEROSS	2005/12/06		2 PLACES ± --- ± ---	RWD	2001/08/15		
APPR:BEROSS	2005/12/06		1 PLACE ± --- ± ---	APPROVED BY	DATE		
			ANGULAR ±1/2°	RWD	2001/08/15		
			DRAFT WHERE APPLICABLE MUST REMAIN WITHIN DIMENSIONS	MATERIAL NO.	DOCUMENT NO.		
				SEE CHART	SD-19142-002		
				SIZE B			
				THIS DRAWING CONTAINS INFORMATION THAT IS PROPRIETARY TO MOLEX INCORPORATED AND SHOULD NOT BE USED WITHOUT WRITTEN PERMISSION			