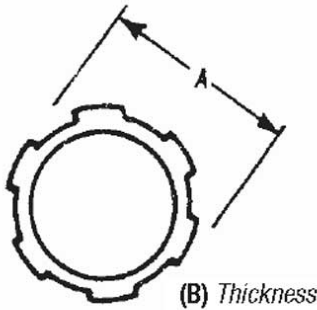


T&B® Fittings



T&B Catalog Number: 143
UPC Number: 78621000143
Description: 1" Locknut, Hardened Steel. For use with Rigid/IMC Conduit.

Status: Active



Application

To connect externally threaded conduit or connector to a threadless opening in a box or enclosure.
 To effectively bond conduit or connector to box or enclosure.

General

Trade Size (inches) 1
 Material Steel

Dimension Information

Dimension A (inches) 1 11/16
 Dimension B (inches) 13/64

Packaging

T&B Order Multiple 50
 T&B Inner Pack 50
 Package in Units 500
 T&B Sold in UOM Each
 T&B Weight Per UOM 3.72 lbs. per 100

Application Support

Rigid/IMC Conduit Fittings Overview & Specification Available on Website

Notes

*Note Availabe with DURA-PLATE® Finish

Certifications

RoHS Compliance Yes

Certifications



File Nbr:
 E 23018

For further technical assistance, please contact us...

Thomas & Betts - USA
 8155 T&B Blvd.
 Memphis, TN 38125
 www.tnb.com

T&B Technical Support
 MS 3B-50
 8155 T&B Blvd.
 Memphis, TN 38125

Hours: 7AM - 6PM CDT
 Monday-Friday
 Phone: (888) 862-3289
 Fax: (901) 252-1321
 Email:techsupport@tnb.com