

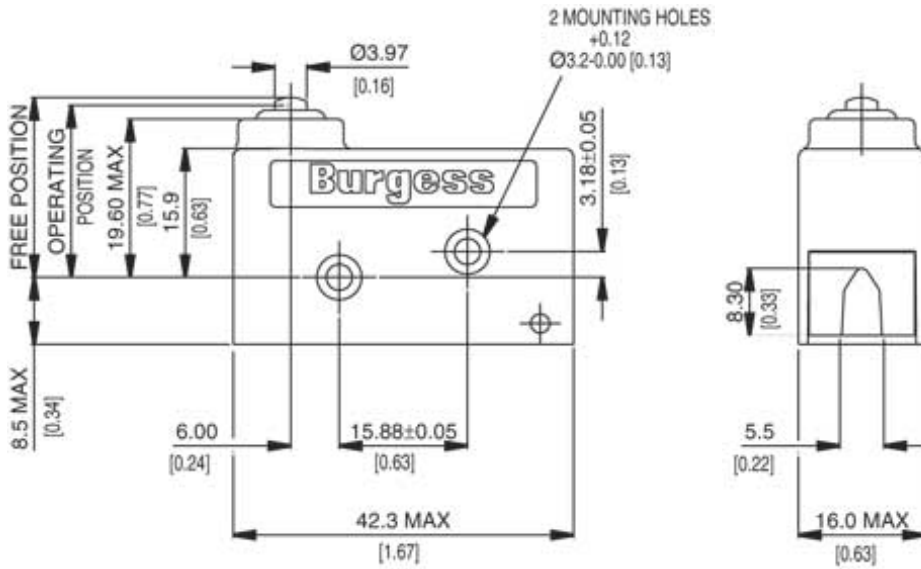


V9N

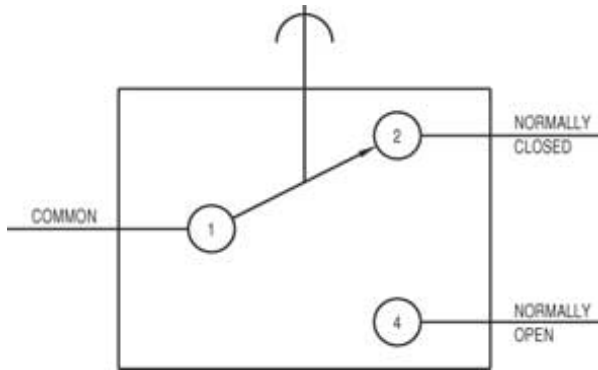
Type	<ul style="list-style-type: none"> • Switches
Product type	<ul style="list-style-type: none"> • Burgess Sealed Miniature Limit switch
Typical markets	<ul style="list-style-type: none"> • business machines • material handling • transportation • distribution
Typical applications	<ul style="list-style-type: none"> • postal equipments • forklifts • specialist vehicles • local catalog distributors
Dimensions	<ul style="list-style-type: none"> • 42 x 24.5 x 15.5 mm
Characteristics	<ul style="list-style-type: none"> • sealed IP67 • metal housed • screw terminals or flying leads
Rating	<ul style="list-style-type: none"> • 250 VAC, 10 A max.
Actuators	<ul style="list-style-type: none"> • plunger • plain lever • roller lever • reverse action lever
Approvals/Quality	<ul style="list-style-type: none"> • UL • CSA



Dimensions



Circuits



Performance

Preferred range

Partnumber	Terminal	Actuator	Electrical rating @	
			ENEC	UL/CSA
<u>V9N</u>	screw	plunger	VAC A	250 VAC 10 A
<u>V9NL</u>	screw	plain lever 44.5 mm	VAC A	250 VAC 10 A
<u>V9NLR</u>	screw	roller lever 22.2 mm	VAC A	250 VAC 10 A

<u>V9NLR1</u>	screw	roller lever 32.3 mm	VAC A	250 VAC 10 A
---------------	-------	-------------------------	----------	-----------------





V9N

Dimensions	42 mm
Dimensions	24.5 mm
Dimensions	16 mm
Terminal	screw
Circuit	CO
Protection	IP67
Actuator	plunger
Contacts	Ag
Electrical rating UL/CSA	250 VAC
Actuating force	5.5 Nm
Release force	1 N
Free position (FP)	22.6 mm
Operating position (OP)	21.3 mm
Movement differential	0.35 mm
Overtravel	depress to case