

LEKTRO-LOK
FOOTSWITCH



Lektro-Lok Footswitch

Environmental Ratings:

EN 60529 Degree of Protection IP20

Key Benefits

Mechanical Interlock-prevents both circuits from being operated at the same time. The Lektro-Lok foot switch operates on the teeter-totter principle. Pressure on one side opens or closes line, release of pressure returns switch to normal off position, pressure on other side opens or closes circuit, independent of first. Both foot switches can be wired normally open or normally closed. All wiring connections are made internally with only a single cord being brought out. This eliminates costly harness assemblies which combined with the attractive switch price offers real economy.

The rugged stamped steel housing has a black finish and nonskid base pad.


Size: 5" x 2-1/2" x 1-1/4"

Weight: 10 oz.

SPECIFICATIONS

(Special variations are available to the O.E.M. on special order on the models listed below)

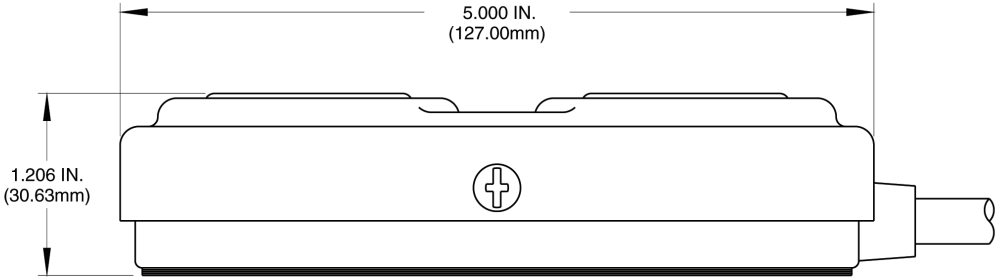
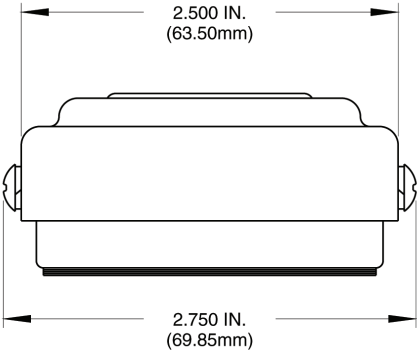
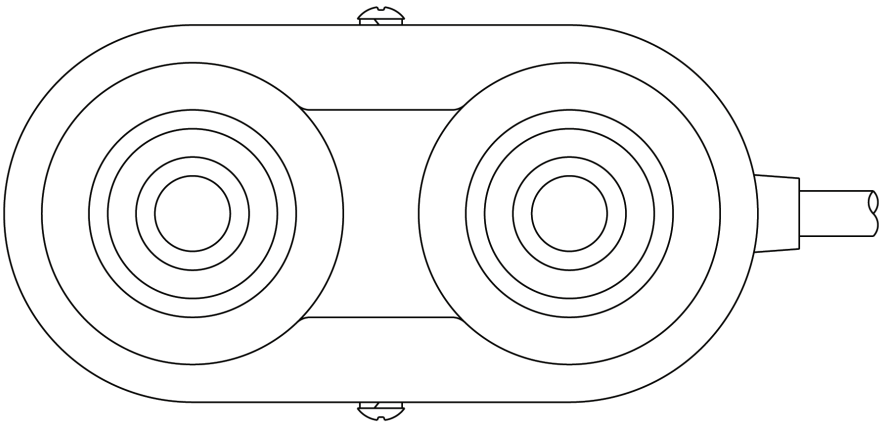
⚠ WARNING

	CATALOG NUMBER	DESCRIPTION	CIRCUIT	FORM	ELECTRICAL RATINGS
	L-2-S	Momentary	Each Side SPDT	C	10 A 125-250 VAC 1/2 H.P. 125-250 VAC

BOLD COPY INDICATES STOCK ITEM

Lektro-Lok Model

NOTE: ALL DIMENSIONS ARE FOR REFERENCE ONLY.





EN 60529 Degree of Protection IP20

Motion Control Device ROCKER ACTION COMPACT DESIGN



Materials of Construction:

- Steel Housing
- Black finish
- Mechanical Interlock—prevents both circuits from being operated at the same time
- Operates on the teeter-totter principle
Pressure on one side opens or closes line, release of pressure returns switch to normal off position, pressure on other side opens or closes circuit, independent of first

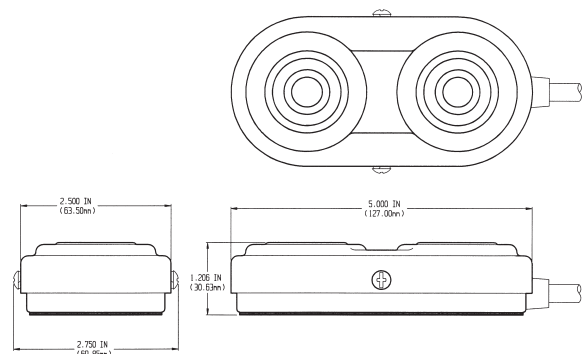
Features & Benefits:

- Non-skid Base pad
- Both sides can be wired normally open or normally closed
- All wiring connections are made internally with only a single cord being brought out
- Eliminates costly harness assemblies
- Offers real economy

Options:

- Twin version available
- Multiple cable entry locations available
- Mounting provisions can be added
- Custom labeling
- Splash resistant interior switch available

Size (HxWxD):	1.21 x 2.75 x 5.00 In.
Weight:	10 oz.



⚠ WARNING SEE PRODUCT WARNING ON PAGE 8						
SPECIFICATIONS (Special variations are available to the O.E.M. on special order on the models listed below)						
AGENCY APPROVALS	EN 60529 Degree of Protection	CATALOG NUMBER	DESCRIPTION	CIRCUIT	FORM	ELECTRICAL RATINGS
UL US	IP20	L-2-S	Momentary	SPDT Each Side	C	10 A 125-250 VAC 1/2 H.P. 125-250 VAC