

Cord retaining strain relieve



Cut-aways or countersinks on pillars to face inwards.



Description

- Front-side:
Screw-on from front side
- 1 Function:
Protection against accidental disconnection of the plug

Weblinks

Approvals: <http://www.schurter.com/approvals>
RoHS: <http://www.schurter.com/rohs>

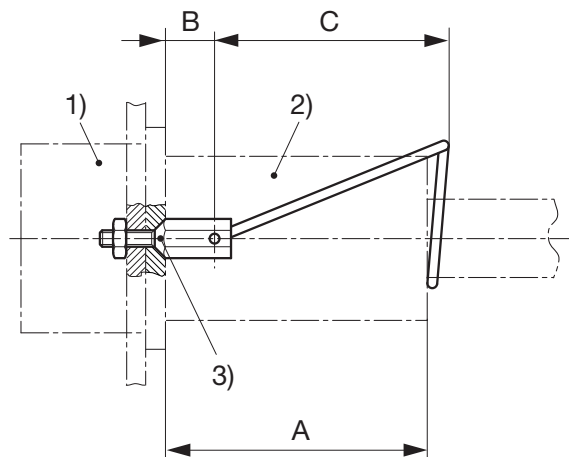
For protection against loosening or accidental disconnection of the plug connector. Can also be mounted later. The correct kit type respectively the corresponding Order No. for each combination of fixed and free components is shown in the selection chart.

Horizontal flanged components are secured to the panel using the kit supplied. Vertical flanged or snap-in components require additional drilling for the cord retaining kit as shown in the diagrams below.

Each cord retaining kit consists of:

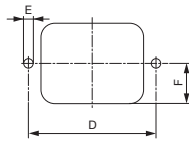
- 1 Stainless steel retaining clip
- 2 Nickel plated brass pillars
- 2 Nickel plated brass nuts
- 2 Nickel plated beryllium copper crinkle washers

Dimensions

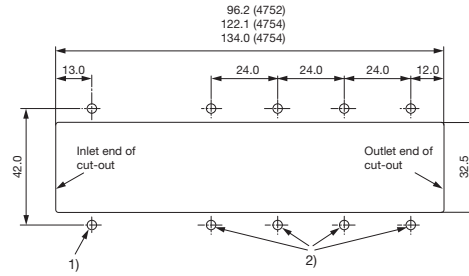


(Details see overview table and table of variants)

- 1) Inlet/Outlet 2) Plug/Connector 3) Design



(Details see overview table and table of variants)



(Details see overview table)

Variants

Kit	Design	B	C	D	E	Order Number
A	Flat head	8	45.5	36	3.4	4700.0001
B	Countersunk	9.5	45.5	36	3.4	4700.0002
C	Countersunk	8	45.5	40	3.4	4700.0003
D	Countersunk	4	40	40	3.4	4700.0004
E	Flat head	4.5	40	42	3.4	4700.0005
F	Countersunk	4	45.5	40	3.4	4700.0006
G	Flat head	4.5	45.5	42	3.4	4700.0007
H	Flat head	5.5	45.5	42	3.4	4700.0008
J	Countersunk	8	37.5	45	3.4	4700.0009
K	Countersunk	6.6	37.5	42	3.4	4700.0010
L	Flat head	5.5	37.5	45	3.4	4700.0011
M	Flat head	5.5	40	42.6	3.4	4700.0012

Set see Cord retaining Selector Chart

Packaging unit 50 Pcs

									Kabelstecker/-dose						
									Type	4781	4782	4795	4732	4735	4796
									Dimension A	61.5	61.5	57.0	55.5	60.0	58.0
									Plug
									Connector
Gerätestecker/-dose															
Type	Mounting				Inlet	Outlet	Dimension F	Panel Thickness							
	Snap-in Mounting	Screw-on Mounting	Mounting from Frontside	Mounting from Rearside					Dimension A	Dimension B	Dimension C	Dimension D	Dimension E	Dimension F	Dimension G
4707									B	B					
4721							12.4						D		
4721							12.4							F	
4723							12.4						E		
4723							12.4							G	
4752							12.0						E		
4752							12.0							G	
4754							12.0						E		
4754							12.0							G	
4754							13.0		H	H					
4758							12.0						E		
4758							12.0							G	
4758							13.0		H	H					
4793							12.0					L			
4797							14.8								L
4797							14.8								J
4798							13.4					K			
5110							16.1		A	A					
5110							10.8		C	C					
5120							12.4		G	G					
5120							12.4	>5mm	E	E					
5120							12.4	<3mm	G	G					
5130							12.0					L			
5130							12.0								
5200							15.2		B	B					
5220							15.2		B	B					
6100							16.1		A	A					
6100							10.8		C	C					
6110							16.1		A	A					
6110							10.8		C	C					
6200							16.1		A	A					
6200							15.2		B	B					
6220							16.1		A	A					
6220							15.2		B	B					
6600							12.4						E		
6600							12.4							G	
6600							12.4						D		
6600							12.4							F	
0723							14.8								J
C20F							12.0					L			
C20F							13.4					K			
C20F							12.0								
CD							16.1		A	A					
CE							16.1		A	A					
CG							16.1		A	A					
DC11							16.1		A	A					
DC11							15.2		B	B					
DC12							16.1		A	A					
DC12							15.2		B	B					
DC12							16.1		A	A					
DC21							12.4		G	G					
EC11							16.6						M		
EC12							16.6						M		
EF11							16.6						M		
EF12							16.6						M		
EG11							16.6						M		
EG12							16.6						M		
FELCOM 54							16.1		A	A					
FELCOM 54							12.4						E		
FELCOM 54							12.4							G	
FELCOM 64							16.1		A	A					
FELCOM 64							12.4						E		
FELCOM 64							12.4							G	
KD							16.1		A	A					
KE							16.1		A	A					
KEA							16.1		A	A					
KEA							15.2		B	B					
KEB I							16.1		A	A					
KEB I							15.2		B	B					
KEB II							16.1		A	A					
KEC							16.1		A	A					
KFA							16.1		A	A					
KFA							15.2		B	B					
KFA							16.1		A	A					
KFB I							15.2		B	B					
KFB II							16.1		A	A					
KFC							16.1		A	A					
KFS							10.8		C	C					
KFX							10.8		C	C					
KG							16.1		A	A					
KM							16.1		A	A					