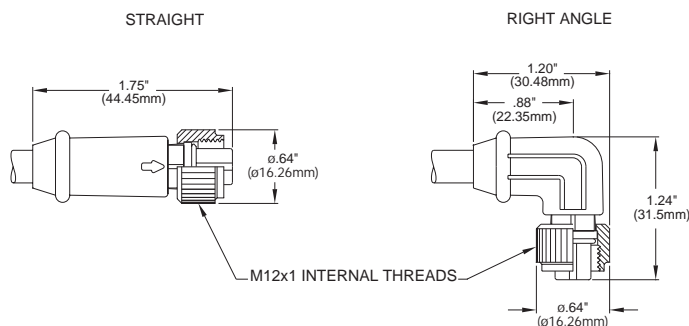


Specifications

MATERIAL DATA	
Body	Yellow, 90 A durometer flame-resistant PVC
Insert	Yellow PUR
Cable type	Yellow, AWM, UL style 2661, PVC jacket
Contacts	Machined brass
Contact plating	30 micro-inches of 24 karat gold over 50 micro-inches of nickel
Shell	N/A
Wire gauge	#22 AWG
Coupling nut	Diecast Zamak 5 with black epoxy coat
ELECTRICAL DATA	
Contact resistance	≤5mΩ
Electrical isolation	1600 VAC
Current rating	3A
Voltage rating	300 VDC
ENVIRONMENT DATA	
Protection classes	NEMA 1,3,4,6P, 13/IEC IP68
Temperature range	-4°F to +221°F
Corrosion resistance	1000 hr. salt spray per MIL-STD-202F
Water spray	1200 psi

Dimensions

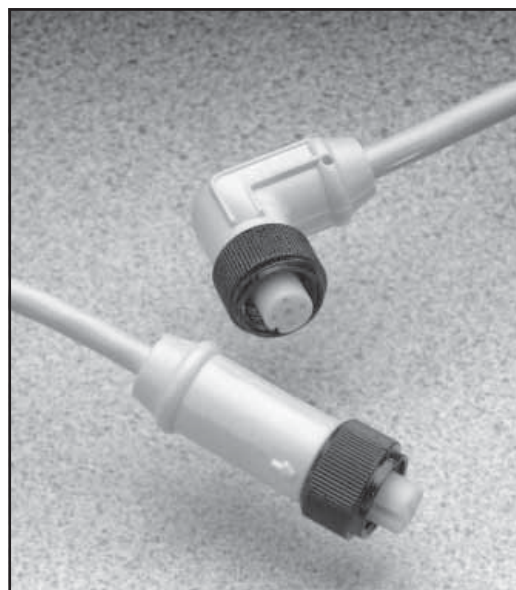


Micro Cordsets

12mm receptacle

DC sensor compatibility

- Single key
- Yellow PVC cable jacket
- Female connection
- #22 AWG
- 4 and 5-pin



Cordsets Micro Cordsets

Model Number Selection

Face View (female)	Color Code	Length	Straight	Right Angle
	1. BR 2. W 3. BL 4. BLK 5. Not used	2m 5m	V1-G-YE2M-PVC V1-G-YE5M-PVC	V1-W-YE2M-PVC V1-W-YE5M-PVC
	1. BR 2. W 3. BL 4. BLK 5. GR	2m 5m	V15-G-YE2M-PVC V15-G-YE5M-PVC	V15-W-YE2M-PVC V15-W-YE5M-PVC