

Switchcraft®

[Previous Page](#) | [Return to Index](#) | [Next Page](#)

EH Series Audio/Video/Data Panel Mount Connectors



Switchcraft's newest line of connectors, the EH Series, offers a wide range of connectors all within a standard XLR housing. A single panel cut-out allows the end user to mount multiple formats including USB-A, USB-B, Firewire, S-VHS, 3.5mm stereo with normal circuit, MIDI, both 9 pin and 15 pin HD D-sub, plus RCA and BNC feed-thru's. Perfect for systems integration, pro audio, A/V, data, etc. The connectors conveniently mount into standard XLR diagonal hole knockouts, which allows the installer to easily combine the different formats into standard pre-knocked plates or racks without having to custom drill and tap a specific hole for a specific connector. You can also populate your own combination of EH connectors in Switchcraft empty QG rack panels or single and dual gang wall plates.

[Click to view the New Product Bulletin for the EH Series](#)

Broadcast Series

EH Connectors: USB, Firewire, SVHS, 9pin, and 15pin HD Dsub, 3.5mm Stereo, BNC, and RCA

E & EH Series Part Number Scheme

Connector Type	Part No. Prefix	Solder Contact	Feedthru	Black Finish	Bagged w/4-40 Mounting Screws

3.5MM Mono	EH35MMM	SC	N/A	B	PKG
3.5MM Stereo	EH35MMS	SC	N/A	B	PKG
SVHS	EHSVHS	N/A	2	B	PKG
PS/2 (AKA: mouse port / 6 Pin Din)	EH6MD	N/A	2	B	PKG
Firewire (EEE1394) Straight Wired	EHFW	N/A	2	B	PKG
Firewire EEE1394 Cross Wired	EHFWX	N/A	2	B	PKG
RCA	EHRCA	N/A	2	B	PKG
BNC	EHBNC	SC	2	B	PKG
~ BNC (Recessed Front)	EHBNC2R	N/A	---	B	PKG
BNC to RCA	EHBNCRCA	---	---	B	PKG
RCA to BNC	EHRCA BNC	---	---	B	PKG
USB A to B	EHUSBAB	---	---	B	PKG
USB B to A	EHUSBBA	---	---	B	PKG
9 Pin DSUB Male to Male	EHDB9MM	---	---	B	---
+ 9 Pin DSUB Male to Female	EHDB9MF	---	---	B	---
9 Pin DSUB Female to Female	EHDB9FF	---	---	B	---
15 Pin HD DSUB Male to Male	EHHD15MM	---	---	B	---
+ 15 Pin HD DSUB Male to Female	EHHD15MF	---	---	B	---
15 Pin HD DSUB Female to Female	EHHD15FF	---	---	B	---

+ Reversible gender.

~ Connector is flush with the face of the housing.

If no "B" suffix, all connectors come with nickel housing.

If no "PKG" suffix, all connectors come bulk.

Additional E & EH Series Connectors and Components



[Click here for full line of E Series XLRs](#)

Connector Type XLRs	Part No. Prefix	Solder Contact	Black Finish	Gold Pin	Bagged w/4-40 Mounting Screws
XLR Female 3 Pin	E3F	SC	B	AU	PKG

NPB 560A

Switchcraft® EH Series Audio/Video/Data



EHHD15FFB



EHUSBAB



EHUSBBAB



EHFW2



EHFWX2B



EHDB9FF

The EH Series by Switchcraft® is a complete line of audio, video, and data connectors built into standard panel-mount XLR housings. Custom combinations of EH Series connectors can be quickly and easily loaded into an empty 19-inch 1RU (1x16), 1.5RU (1x16), or 2RU (2x16) rack pre-punched with tapped 4-40 holes.

Switchcraft's EH Series is the fastest and most versatile way to create a custom panel or wall plate perfectly suited to meet the needs of any studio, broadcast facility, or systems integrator.

For more information, visit:

<http://www.switchcraft.com/products/560.html>

Switchcraft®
www.switchcraft.com
5555 N. Elston Avenue/Chicago, IL 60630
Phone: 773-792-2700 Fax: 773-792-2129



EHSVHS2B



EH6MD2

EHBNC2B



EH35MMSSC



EHRCA2B



EH Series	1	2	3	4	5	6
Connector Description	Housing	Connector	Feedthru	Solder	Black Finish	Bagged with Mounting Screws
3.5MM Mono	EH	35MMM	N/A	SC	B	PKG
3.5MM Stereo	EH	35MMS	N/A	SC	B	PKG
SVHS	EH	SVHS	2	N/A	B	PKG
PS/2	EH	6MD	2	N/A	B	PKG
Firewire (EEE1394) Straight-Wired	EH	FW	2	N/A	B	PKG
Firewire (EEE1394) Cross-Wired	EH	FWX	2	N/A	B	PKG
RCA	EH	RCA	2	N/A	B	PKG
BNC	EH	BNC	2	SC	B	PKG
BNC (Recessed Front)	EH	BNC2R	---	N/A	B	PKG
BNC to RCA	EH	BNCRCA	---	---	B	PKG
RCA to BNC	EH	RCABNC	---	---	B	PKG
USB A to B	EH	USBAB	---	---	B	PKG
USB B to A	EH	USBBA	---	---	B	PKG
9-Pin DSUB Male to Male	EH	DB9MM	---	---	B	PKG
9-Pin DSUB Male to Female	EH	DB9MF	---	---	B	PKG
9-Pin DSUB Female to Female	EH	DB9FF	---	---	B	PKG
15-Pin HD DSUB Male to Male	EH	HD15MM	---	---	B	PKG
15-Pin HD DSUB Male to Female	EH	HD15MF	---	---	B	PKG
15-Pin HD DSUB Female to Female	EH	HD15FF	---	---	B	PKG

*Sample Part Number: EHBNC2PKG (BNC Feedthru, Black Housing, Bagged with 4-40 Screws)

*Male to female 9-Pin and 15-Pin DSUBS are user reversible to create female to male connectors.

*All Switchcraft EH Series connectors are fully compatible with blank QG Panels.

Series	Pins	Gender	Fas-Disconnect Option	Termination Style	Finish	Mounting Hole Options
E	3-5 Pins	M=Male F=Female	D=Fas-Disconnect Blank=Standard Locking	ST=Straight PC Terminals RA=Right Angle PC Terminals SC=Solder Cups Blank=Conical Springs (3-Pin Only)	B=Black Blank=Nickel	M3=M3x0.5 Thread 440=#4-40 Thread Blank=Counter-Sunk Hole



E3MSC



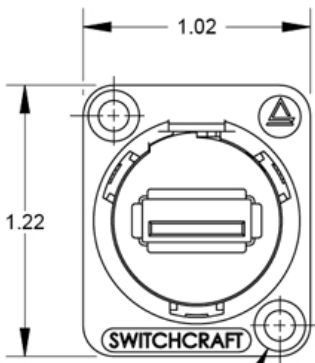
E3FSCB



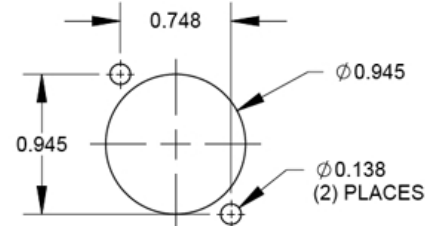
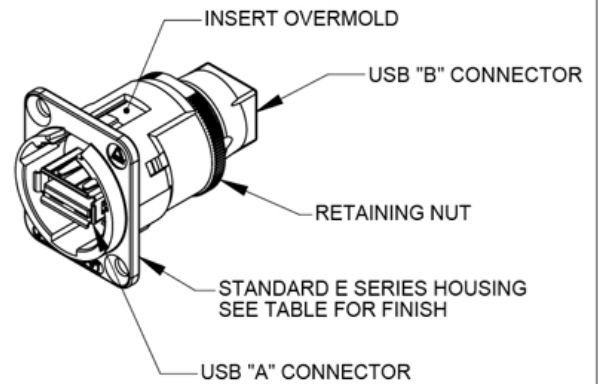
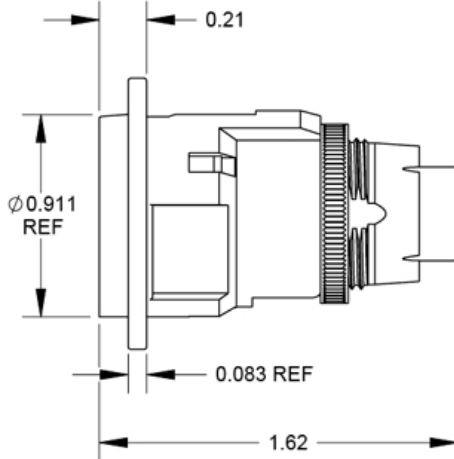
E112BL

Connector Type	Part Number (Nickel Finish)	Part Number (Black Finish)
1/4" Mono Locking Jack	E111L	E111BL
1/4" Stereo Locking Jack	E112BL	E112BLB

*For more information, go to:
<http://www.switchcraft.com/products/560.html>



∅0.138 THRU
 ✓ ∅0.230 X 82°
 (2) PLACES REF



NOTES:

- MATERIALS:
 INSERT OVERMOLD - THERMOPLASTIC, BLACK
 RETAINING NUT - BRASS, NICKEL PLATED
 HOUSING - ZINC ALLOY
- THIS PRODUCT IS RoHS COMPLIANT.

PART NUMBER	HOUSING FINISH
EHUSBABX	NICKEL
EHUSBABBX	BLACK CHROME

RECOMMENDED
 PANEL CUT-OUT

CUSTOMER DRAWING

REV	ECO NUMBER	DATE	BY	APVD
A	26076	7/15/06	RS	TJK
REVISIONS				

☆ STAR SYMBOL DENOTES CRITICAL DIMENSION

UNLESS OTHERWISE SPECIFIED
 1. ALL DIMENSIONS IN INCHES
 - TWO PLACE DECIMALS ±0.01
 - THREE PLACE DECIMALS ±0.005
 - ANGLES ±1°

THIS DRAWING DESCRIBES A DESIGN CONSIDERED PROPRIETARY IN NATURE, DEVELOPED AND MANUFACTURED BY SWITCHCRAFT INC. AND IS RELEASED ON A CONFIDENTIAL BASIS FOR IDENTIFICATION PURPOSES ONLY.

SIZE	WIDTH	MULT	LBS/M	TEMPER
FINISH			MATERIAL	
SPEC No.			SPEC No.	
FIRST USED ON		SCALE 1.5:1		
DATE DRAWN	BY	CHKD	APVD	
5/5/09	RS	RS	TJK	
		5/5/09	7/15/09	
NAME			PART No.	
E SERIES CONNECTOR, USB A FEMALE TO B FEMALE, RoHS			EHUSBAB_X SERIES	
				REV
				A

Switchcraft®

SHEET 1 OF 1

DO NOT SCALE DRAWING

SolidWorks CAD File

