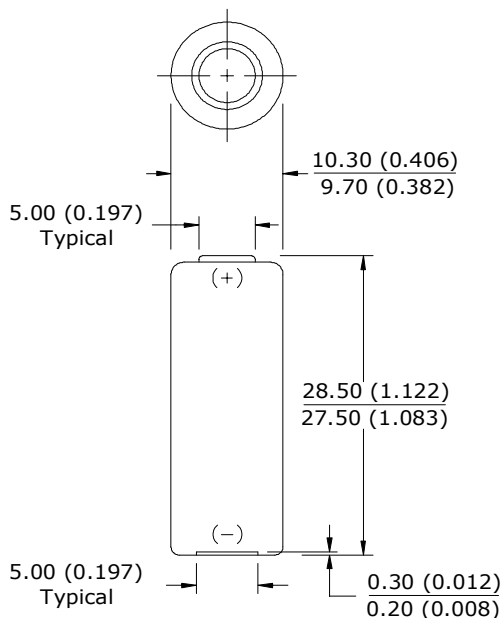


ENERGIZER NO. A23



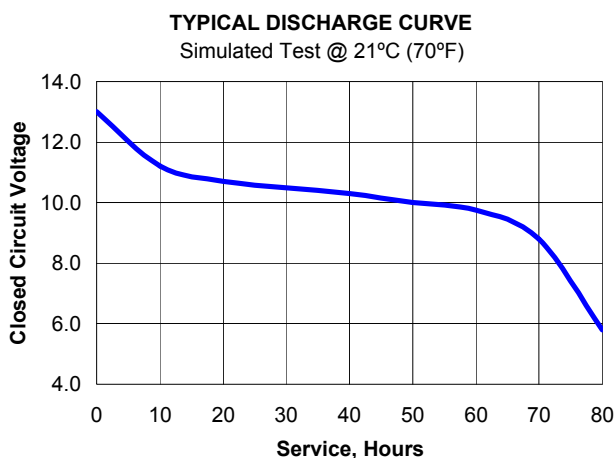
Typical Dimensions in mm (inches)



DESIGNED FOR ELECTRONIC APPLICATIONS
 WHICH MAY REQUIRE HIGH RATE PULSES

Chemical System: Manganese Dioxide (MnO₂)

Designation: ANSI - 1811A
Battery Voltage: 12 Volts
Average Weight: 7.5 grams (0.26 oz.)
Volume: 2.4 cubic centimeters (0.14 cubic inch)
Average Capacity: 40 mAh to 6.0 volts
 (Rated at 20k ohms continuous at 21°C)
Cell: Eight No. LR932 in series



Simulated Application Test
 Estimated Average Service at 21°C (70°F)

Schedule:	Typical Drains at 9.5V (milliamperes)	Load (ohms)	Cutoff Voltage
			6.0V
24 hours/day	0.48	20,000	79 Hours

INTERNAL RESISTANCE: Typical closed circuit voltage no less than 10.4 volts on a load of 800 ohms at 21°C (70°F) for 0.10 to 2.0 seconds.

Important Notice

This data sheet contains information specific to batteries manufactured at the time of its publication.

Contents herein do not constitute a warranty.

Copyright © Eveready Battery Co. Inc. - All Rights Reserved