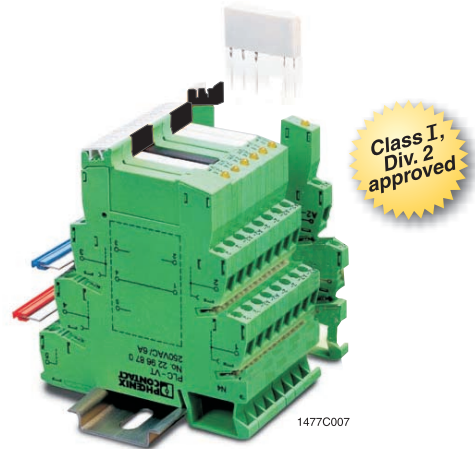


CLASS I, DIVISION 2 PLC-RELAYS

Terminal Block Style Relays and Opto-couplers for Hazardous Locations

INTERFACE
Data Sheet
1477J

© PHOENIX CONTACT - 10/2009



Description

The Class I, Division 2 PLC-Relays are space-saving, pluggable, compact interface relays designed for use in Class I, Division 2 applications. The numerous voltage economical adaptability to your control system.

These devices are UL/cUL Listed as process control equipment for use in Class I, Zone 2, AEx nC IIC, Ex nC IIC and Class I, Division 2, Groups A,B,C and D hazardous locations.

This family of PLC-Relays can help eliminate the need for expensive explosion proof/purged enclosures and further expands Phoenix Contact's role in the hazardous location control industry.



For specifications on the Class I, Division 2, 24 V DC, DPDT PLC Relay, please see Data Sheet 2051 for Part No. 2980461.

Features

- Listed for Class I, Division 2
- Only 6.2 mm (0.244 in.) wide versions
- DIN rail-mountable
- Polarity protected (DC versions)
- Inductive kickback protection
- LED status indication
- Time saving plug-in jumper system
- Flexible, modular design

Ordering Data

Products

Description	Type	Order No.	Pcs./Pkg
Relay, electromechanical, 12 V DC with screw terminals	PLC-RSC-12DC/21 C1D2	5606331	10
Relay, electromechanical, 24 V DC with screw terminals	PLC-RSC-24DC/21 C1D2	5603154	10
Relay, electromechanical, 120 V AC with screw terminals	PLC-RSC-120UC/21 C1D2	5603157	10
Relay, electromechanical, 230 V AC with screw terminals	PLC-RSC-230UC/21 C1D2	5607072	10
Relay, electromechanical, 2 PDT, 12 V DC with screw terminals	PLC-RSC-12DC/21-21 C1D2	2900191	10
Relay, electromechanical, 12 V DC with spring terminals	PLC-RSP-12DC/21 C1D2	5606332	10
Relay, electromechanical, 24 V DC with spring terminals	PLC-RSP-24DC/21 C1D2	5603684	10
Relay, electromechanical, 120 V AC with spring terminals	PLC-RSP-120UC/21 C1D2	5603683	10
Relay, opto-coupler, 24 V DC with screw terminals	PLC-OSC-24DC/24DC/2 C1D2	5603260	10
Relay, opto-coupler, 24 V DC with screw terminals	PLC-OSC-24DC/48DC/100 C1D2	5603261	10
Relay, opto-coupler, 120 V AC with screw terminals	PLC-OSC-120UC/24DC/2 C1D2	5603262	10
Relay, opto-coupler, 120 V AC with screw terminals	PLC-OSC-120AC/48DC/100 C1D2	5603263	10

Accessories

Description	Type	Order No.	Pcs./Pkg
Power distribution block	PLC-ESK GY	2966508	5
Partition plate	PLC-ATP BK	2966841	25
Bridge, 2-position plug-in (red)	FBST 6-PLC RD	2966236	50
Bridge, 2-position plug-in (blue)	FBST 6-PLC BU	2966812	50
Bridge, 2-position plug-in (gray)	FBST 6-PLC GY	2966825	50
Bridge, 19 in. plug-in (red)	FBST-500-PLC RD	2966786	20
Bridge, 19 in. plug-in (blue)	FBST-500-PLC BU	2966692	20
Bridge, 19 in. plug-in (gray)	FBST-500-PLC GY	2966838	20
Bridge, 19 in. plug-in (brown)	FBST-500-PLC BN	2967976	20
Marker strip, 10-section, unprinted	ZB:10 UNPRINTED	1053001	10

Technical Data

General Data

Input voltage, U_N	12 V DC, 24 V DC, 120 V AC, 230 V AC
Output current, limited	6 A, 100 mA, 2 A
Connection data	26 - 14 AWG,
Temperature range, ambient	-20 to 60°C (-4 to 140°F)
Mechanical life	10 ⁷ cycles

Dimensions

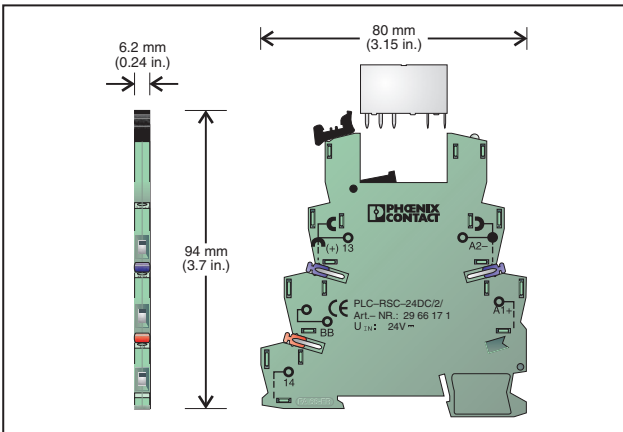


Figure 1. Dimensions

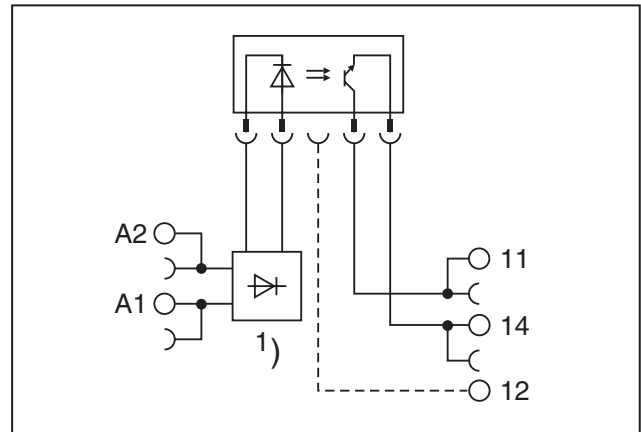


Figure 3. Opto-coupler Terminal Assignments

Connections

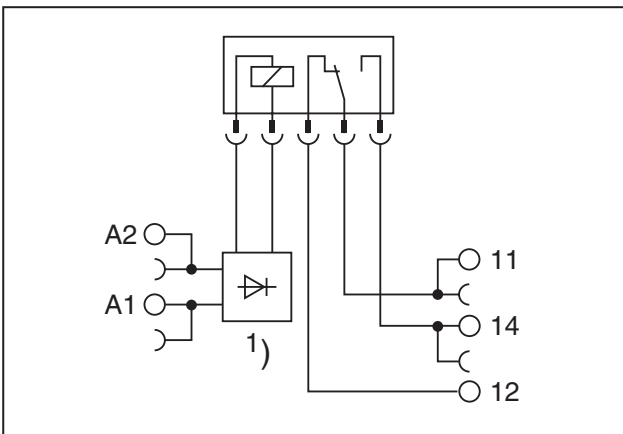


Figure 2. Mechanical Relay SPDT Terminal Assignments

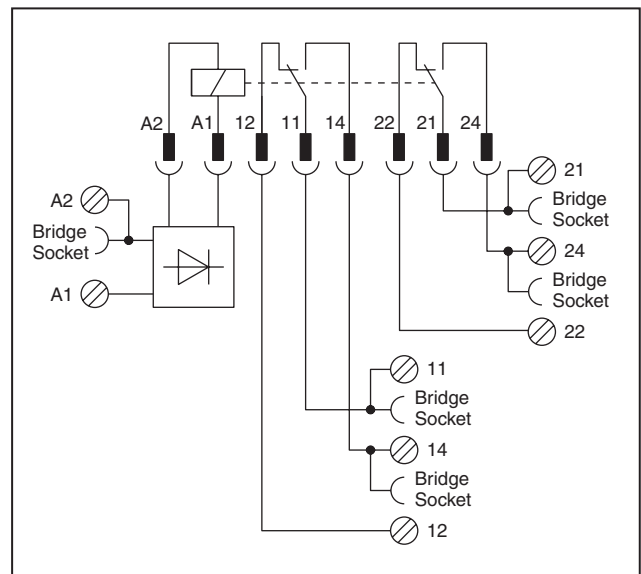


Figure 4. PLC-RSC-12DC/21-21 CID2 Terminal Assignments