

Cooper Bussmann

[Homepage](#)
[About Cooper Bussmann](#)
[Contact Us](#)
[Privacy](#)
[Legal](#)
[Cooper Bussmann® Brand](#)
[Site Map](#)



ATC-20
 AUTOMOTIVE BLADE TYPE FUSE

Product Information

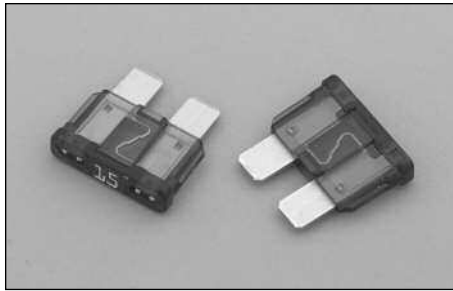
| | |
|-----------------|------------|
| Product Type: | Fuse |
| Product Family: | Automotive |

Recommended Products

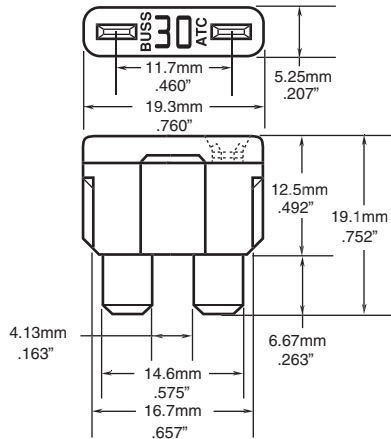
| | |
|--------------------------|---------------------|
| Rec. Inline Fuse Holder: | HHD |
|--------------------------|---------------------|

Electrical Properties

| | |
|--------------------------|---|
| Maximum DC Voltage: | 32 |
| Amperage Rating: | 20 |
| DC Interrupting Ratings: | <ul style="list-style-type: none"> • 1000 at 32V |
| Fast Acting: | Yes |



Dimensional Data



Catalog Symbol: ATC

Fast-Acting

Ampere Rating: 1 to 40 Amperes

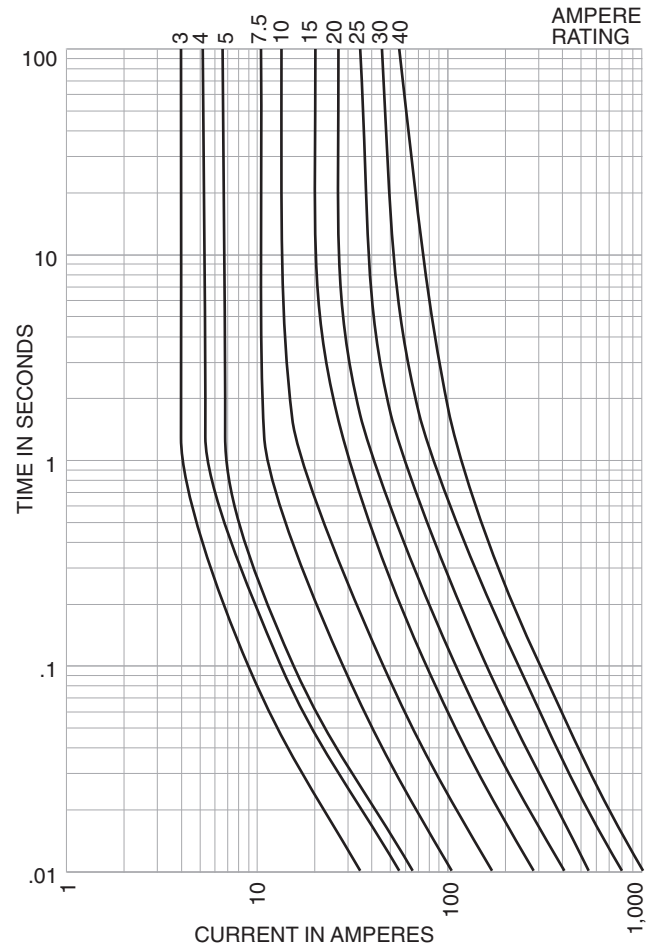
Interrupting Rating: 1,000 Amperes

Agency Approvals: U.L. Recognized, (3-40A)

Guide JFHR2, File E56412

Ordering: Specify packaging and product code

Time-Current Characteristic Curves—Average Melt



SPECIFICATIONS

| Product Code | Body Color | Voltage Rating DC |
|--------------|------------|-------------------|
| ATC-1 | Black | 32V |
| ATC-2 | Gray | 32V |
| ATC-3 | Violet | 32V |
| ATC-4 | Pink | 32V |
| ATC-5 | Tan | 32V |
| ATC-7 1/2 | Brown | 32V |
| ATC-10 | Red | 32V |
| ATC-15 | Blue | 32V |
| ATC-20 | Yellow | 32V |
| ATC-25 | Clear | 32V |
| ATC-30 | Green | 32V |
| ATC-40 | Amber | 32V |

Recommended Bussmann Fuseholders*

| Blade-Type | Part | Description | Fuse Size | Wire Size |
|------------|-------|--------------------------|-----------|---------------|
| | HHC | Yellow Fuseholder | 3-20 Amps | #16 Lead Wire |
| | HHF | Black Fuseholder w/cover | 3-20 Amps | #14 Lead Wire |
| ATC | HHD | Black Fuseholder | 3-30 Amps | #12 Lead Wire |
| | HHG | Black Fuseholder w/cover | 3-30 Amps | #12 Lead Wire |
| | HHD-C | Cover Only | — | — |

*Also used in Bussmann 1A5600 Fuse Clips (0-20A)

PACKAGING CODE

| Packaging Code | Description |
|----------------|--|
| Blank | 5 pieces of fuses packed in a tin |
| BK | 2,000 pieces of fuses packed in a carton |