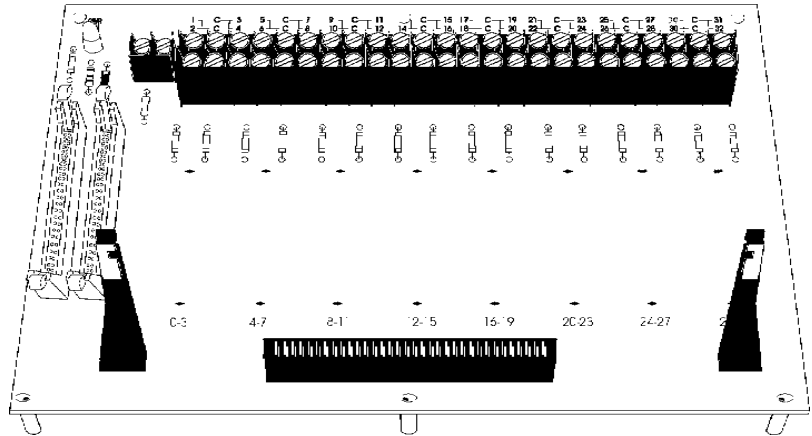


Form 994-091019

Description

The PB32HQ I/O mounting rack is designed to mate with the PAMUX 32 channel Brain Board (P/N B4). The PB32HQ I/O mounting rack accommodates up to eight Quad Pak I/O modules for a total of 32 channels of power I/O. The B4 Brain Board plugs into a box connector on the I/O mounting rack and is secured by vertical card guides.

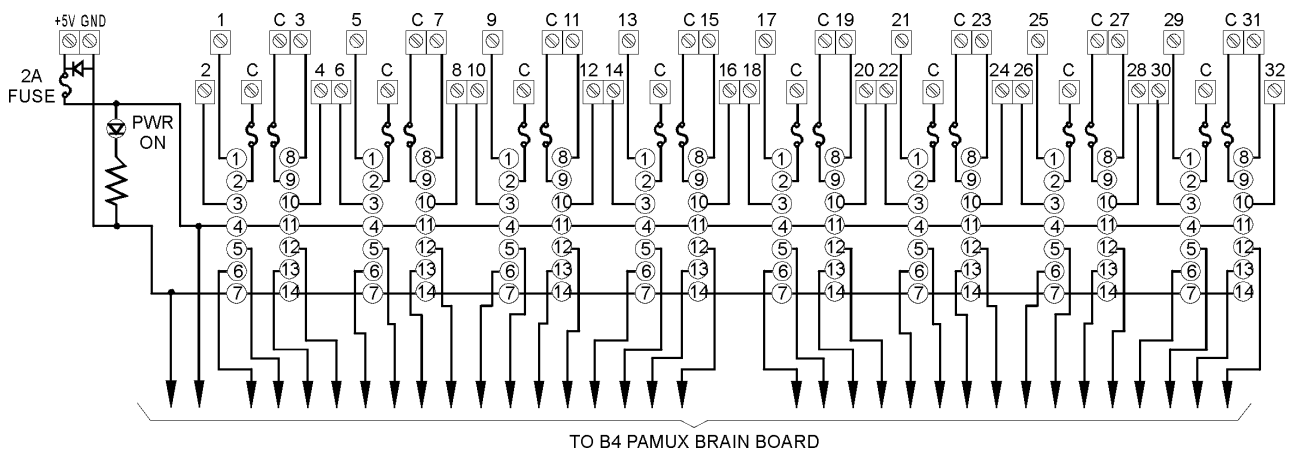
Part Number	Description
PB32HQ	Quad 8-Module Rack with Header Connector for B4 Brain



Specifications

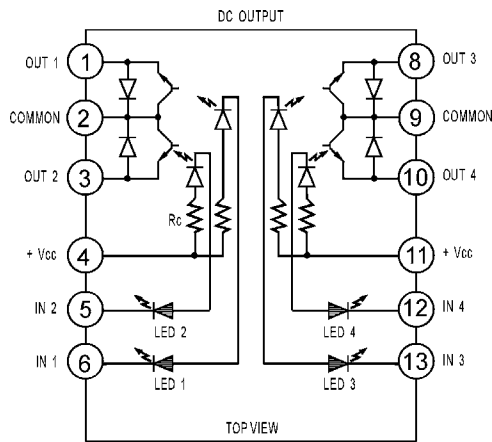
Operating Temperature	0° to 70° 95% relative humidity, non-condensing
Interface Connectors:	
Field	6-32 screw terminals for wires connecting the rack to field devices
Logic	70-pin box connector for brain
Host	50-pin header connector for ribbon cable to host
System	50-pin header connector for ribbon cable to next rack or for termination card on last rack



Schematic

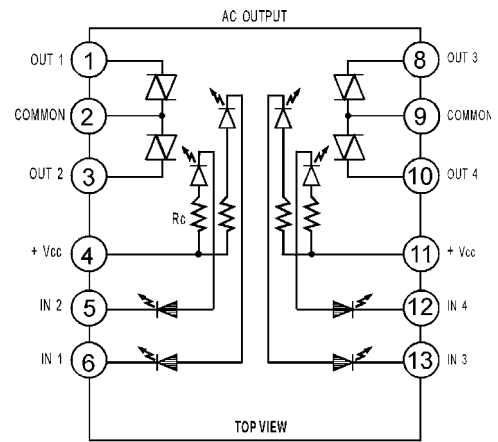




Form 994-091019

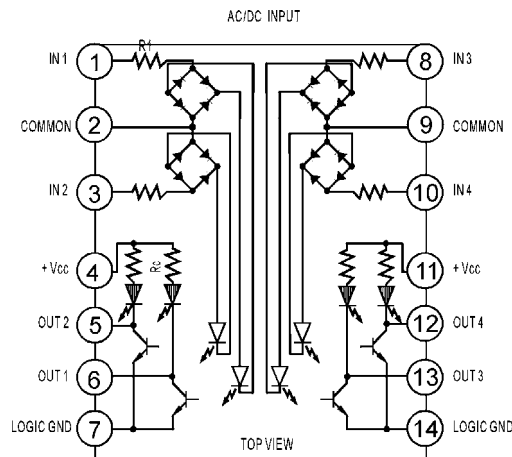
Schematic (Continued)





 RED INDICATOR LED
 INFRARED COUPLER LED
 EQUIVALENT CIRCUIT ONLY
 NEGATIVE TRUE LOGIC
 INDUCTIVE LOADS MUST BE
 DIODE SUPPRESSED



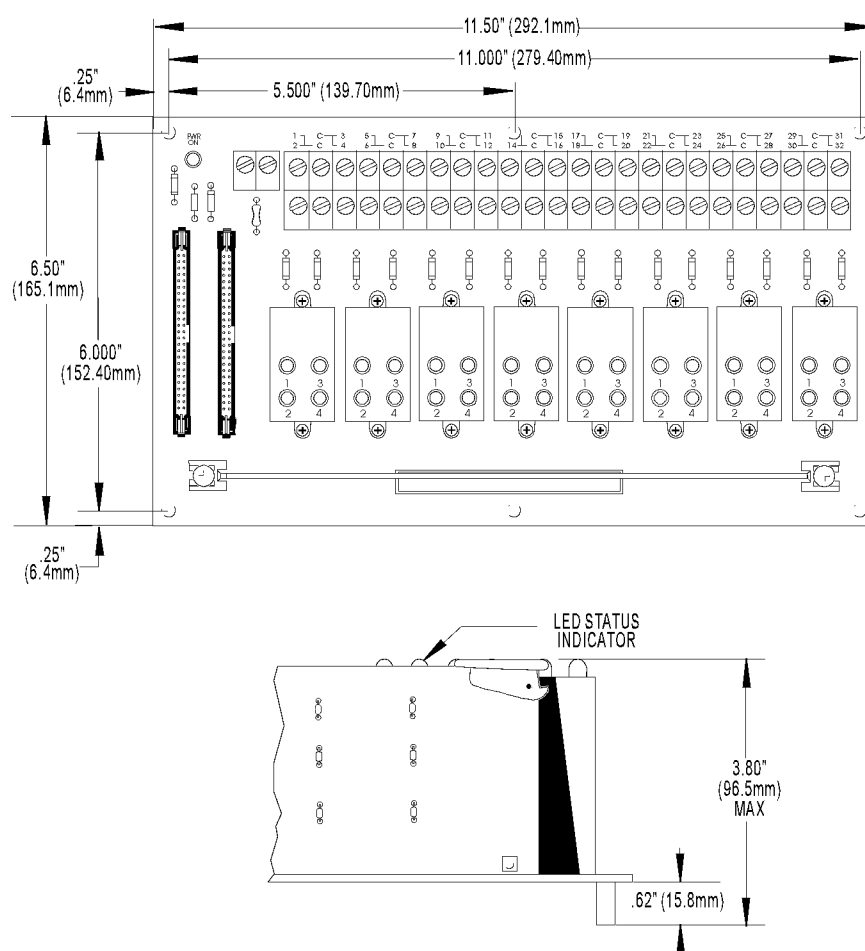
 RED INDICATOR LED
 INFRARED COUPLER LED
 EQUIVALENT CIRCUIT ONLY
 NEGATIVE TRUE LOGIC



 RED INDICATOR LED
 INFRARED COUPLER LED
 EQUIVALENT CIRCUIT ONLY
 NEGATIVE TRUE LOGIC

Form 994-091019

Dimensions



Fuses

The board contains the following fuses:

One 2 amp fuse for 5 volt power on rack (replacement part number FUSE02)

Two 5 amp fuses per module (replacement part number FUSE05)