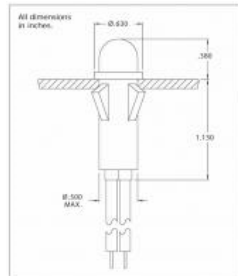




## Products

### LED Indicators

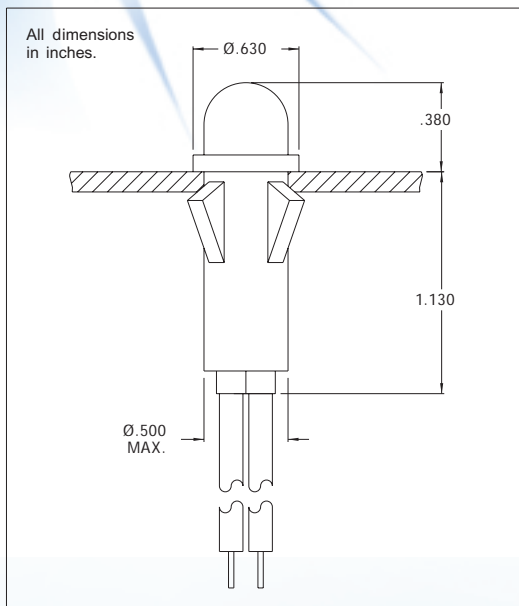
CML IT offers panel mount indicators manufactured with LED, Neon or Incandescent light sources. These indicators are available in a number of different lens and termination styles, with voltages of 2V ~ 250V available off-the-shelf.



**Part Number:** 1091M1-24V  
**Serial Number:** 1091  
**Mounting hole (inch):** 1/2"  
**Mounting hole (metric):** 12.7mm  
**Indicator type:**  
**Mounting type:**  
**Bezel type:**  
**Bezel material:**  
**Bezel color:**  
**Bezel size:**  
**Protection:**  
**Lens type:**  
**Lens color:** Red  
**Lens size:**  
**Connector tpe:** 4.5" 22 AWG wire  
**Connector number:**  
**Connector for lamp test:**  
**Number LED chip:**  
**Indicator color:** red  
**Dom wave length:**  
**Peak wave length (mA):**  
**Op. voltage (V):** 24.0  
**Forward volt max:**  
**Rectifier:**  
**AC current:**  
**DC current:**  
**Lum in min (mcd):**  
**Lum in type (DC):**  
**Voltage type (%):**  
**Op. temperature (°C):**  
**Storage temperature (°C):**  
**Narrative:**  
**Viewing angle (°):**  
**RoHS Status:** Yes

**1091M Series Non-Relampable LED Indicator Lights**

**DESCRIPTION AND FEATURES**



Solid-state indicator lights complete with built-in current-limiting resistor and rectifier diode.

Mounting: Will snap-fit into Ø.500/.505 hole in panels .020/.100 thick. Push-on speednut SN0461 also available.  
Mounting hole pattern on page SP2.

Wire Leads: No.22 AWG (105°C), lead color: red and white, 4.40/4.80 long, stripped .430/.570

Lens: Polycarbonate

Anode(+): Red lead

Bezel: Polished stainless steel. For black finish add "X" after the series letter(s).

Housing: White Nylon

Lens Color	LED Solid State Indicator			
	Model No. (6V)	Model No. (12V)	Model No. (24V)	Model No. (105-125 VAC *)
Red	1091M1-6V	1091M1-12V	1091M1-24V	1091M1-125VAC
Green	1091M5-6V	1091M5-12V	1091M5-24V	1091M5-125VAC
Yellow	1091M7-6V	1091M7-12V	1091M7-24V	1091M7-125VAC
Internal Resistor (ohms)	150	390	1000	(2) 3.9K1/2W* (One Internal)

Notes: Also incorporates IN4004 (400 P.I.V.) rectifier diode.

\*125 VAC supplied with 6" white wire, stripped 1/2" with external 3.9K 1/2 watt resistor attached to one lead, covered with shrink tubing insulation.

Voltage Table		
Nominal	VAC	VDC
6V	5 to 11	3.5 to 6.5
12V	10 to 20	6 to 13.5
24V	22 to 32	12 to 24
125 VAC	105 to 125	-

Lens Color	Incorporates LED*
Red	4304H1
Green	4304H5
Yellow	4304H7

\* Also incorporates 1N4004 (400 P.I.V.) rectifier diode.

To use 24V model: Beyond 32VAC add 30 ohms per volt; beyond 24 VDC add 50 ohms per volt.  
Use 1/2W resistor up to 50V; 1W resistor for 50V to 70V; 2W resistor for 75V to 125V. Do not use beyond 125V.