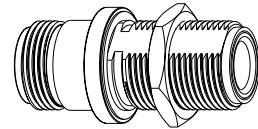
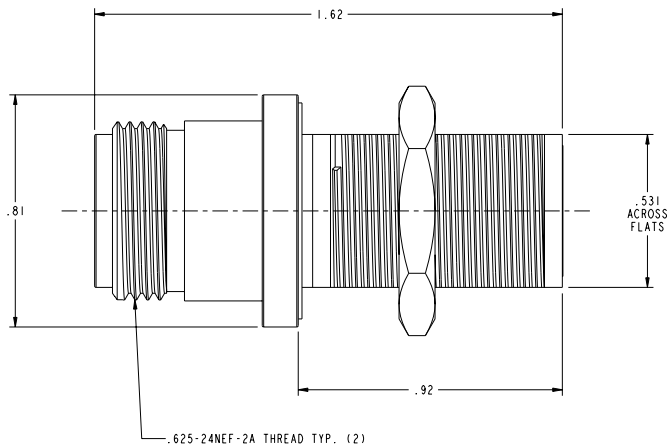


NOTES:

- 1. MATERIALS OF CONSTRUCTION:
 BODY, MOUNTING NUT, & BUSHING = BRASS, NICKEL PLATED
 CONTACT = BERYLLIUM COPPER, SILVER PLATED
 INSULATORS = CO-POLYMER OF STYRENE
 EXTERNAL GASKET = SILICONE RUBBER, COLOR RED
 INTERNAL GASKETS = SILASTIC RUBBER

82-66		REVISIONS			
DRAWING NO.	REV	DESCRIPTION	DATE	ECO	APPR
THIRD ANGLE PROJ.	--	RELEASE TO MFG.			
	P	ADDED SHEET 2	2/18/00	43266	CPM



SCALE 1.500

CUSTOMER OUTLINE DRAWING
 ALL OTHER SHEETS ARE FOR INTERNAL USE ONLY

UNLESS OTHERWISE SPECIFIED, DIMENSIONS ARE IN INCHES AND TOLERANCES ARE: 2 PLACE DECIMAL 3 PLACE DECIMAL ANGLES ±.015 (0.381 mm) ±.005 (0.127 mm) ± 1°	MATERIAL	DRAWN C. McGRATH	DATE 08-Feb-00	TITLE N-JACK/JACK, ADAPTER WATER TIGHT	Amphenol Amphenol Corporation Communication and Network Products Division Danbury, CT U.S.A. 06810
	NOTICE - These drawings, specifications, or other data (1) are, and remain the property of Amphenol Corp. (2) must be returned upon request; and (3) are confidential and not to be disclosed to any person other than those to whom they are given by Amphenol Corp. The furnishing of these drawings, specifications, or other data by Amphenol Corp., or to any other person for any purpose is not to be regarded by implication or otherwise in any manner licensing, granting rights or permitting such holder or any other person to manufacture, use or sell any product, process or design, patented or otherwise, that may in any way be related to or disclosed by said drawings, specifications, or other data.	REFERENCE GEN# ASSY3.N	ENGINEER T. AUBIN		
		APPROVED T. AUBIN	DATE 18-Feb-00	SCALE: 3.0:1	SHEET 2 OF 2
		CAD FILE 1:\N\82-66	CODE ID 74868	DWG SIZE B	DRAWING NO. 82-66
					REV P