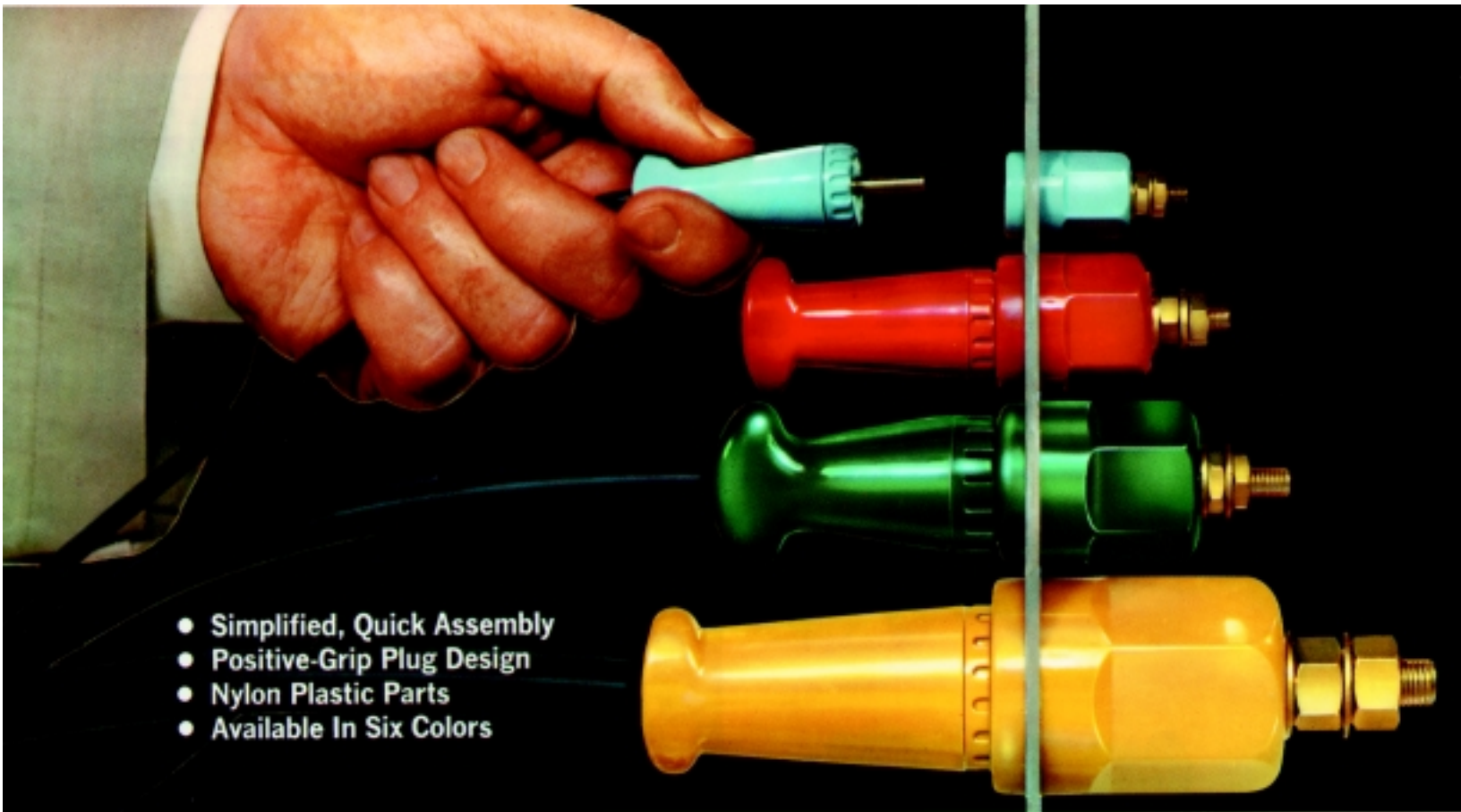


# SUPERCON®

## Electrical Connectors



- Simplified, Quick Assembly
- Positive-Grip Plug Design
- Nylon Plastic Parts
- Available In Six Colors

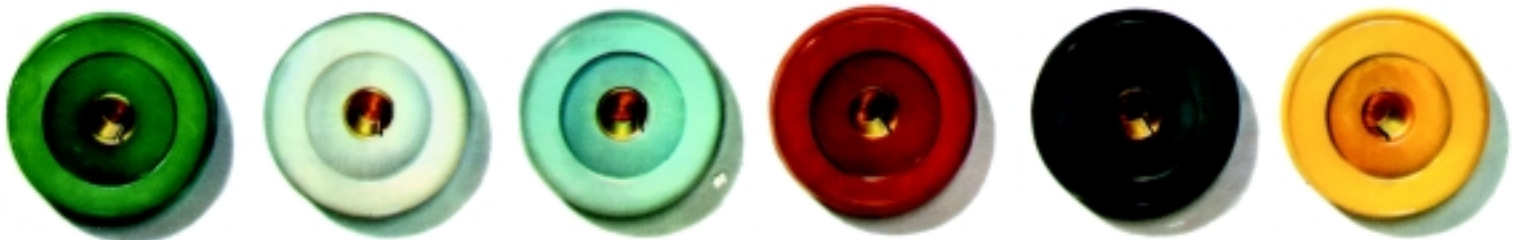
SUPERCON® Electrical Connectors incorporate many advanced engineering features designed to provide safe, rapid and positive panelboard connections. Single conductor socket and pin type plugs and receptacles are offered in 25, 50, 100 and 250 Amp capacities.

The 25, 50 and 100 Amp types are rated 125-250 VAC or DC current interrupting, 600 V unenergized connect or disconnect use only; 250 Amp types are rated 600 V unenergized connect or disconnect use only. The 25, 50 and 100 Amp types are CSA certified under file No. LR-17812.

**PLUGS** - Plugs have a unique functionally designed grip for handling ease and convenience. The variety of red, white, blue, yellow, black or green colors

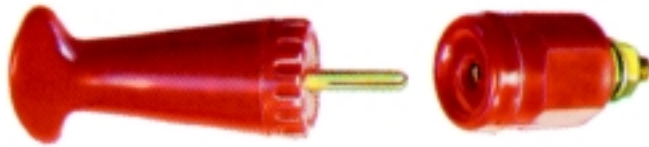
permits wider latitude in patchboard distribution layouts. Wiring connection to the same plug can be either soldered or solderless. Cable fastening screws are provided which permit a range of cable sizes to be accommodated by the plug. All plug grips are of a simple, two-piece threaded construction for quick assembly.

**RECEPTACLES** - Receptacles have color-matched nylon caps and bodies. All plastic parts of a receptacle are molded through in the same color to permit more rapid and accurate circuit identification on both the front and back of the panel when installed. Wiring connections are made to a threaded stud by wire wraparound, by lug or bus bar connection.



# SUPERCON®

## Electrical Connectors



PP25GR

RS25GR



PS25GWT

RP25GWT

25 AMPERE TYPES				
COLOR	SOCKET RECEPTACLE	PIN PLUG	PIN RECEPTACLE	SOCKET PLUG
BLACK	RS25GB	PP25GB	RP25GB	PS25GB
YELLOW	RS25GY	PP25GY	RP25GY	PS25GY
RED	RS25GR	PP25GR	RP25GR	PS25GR
BLUE	RS25GBL	PP25GBL	RP25GBL	PS25GBL
GREEN	RS25GGN	PP25GGN	RP25GGN	PS25GGN
WHITE	RS25GWT	PP25GWT	RP25GWT	PS25GWT



PP50GY

RS50GY



PS50GBL

RP50GBL

50 AMPERE TYPES				
COLOR	SOCKET RECEPTACLE	PIN PLUG	PIN RECEPTACLE	SOCKET PLUG
BLACK	RS50GB	PP50GB	RP50GB	PS50GB
YELLOW	RS50GY	PP50GY	RP50GY	PS50GY
RED	RS50GR	PP50GR	RP50GR	PS50GR
BLUE	RS50GBL	PP50GBL	RP50GBL	PS50GBL
GREEN	RS50GGN	PP50GGN	RP50GGN	PS50GGN
WHITE	RS50GWT	PP50GWT	RP50GWT	PS50GWT



PP100GB

RS100GB



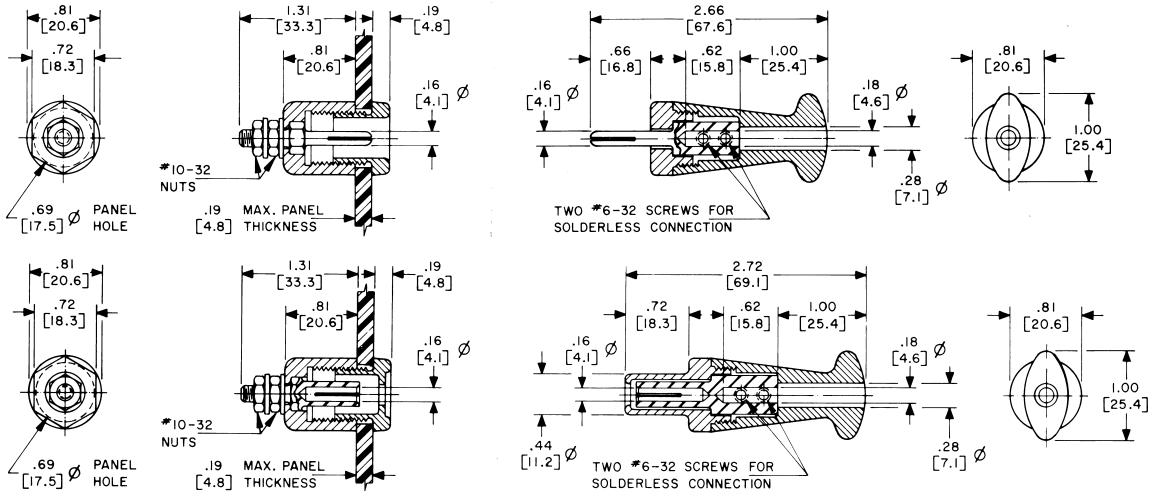
PS100GGN

RP100GGN

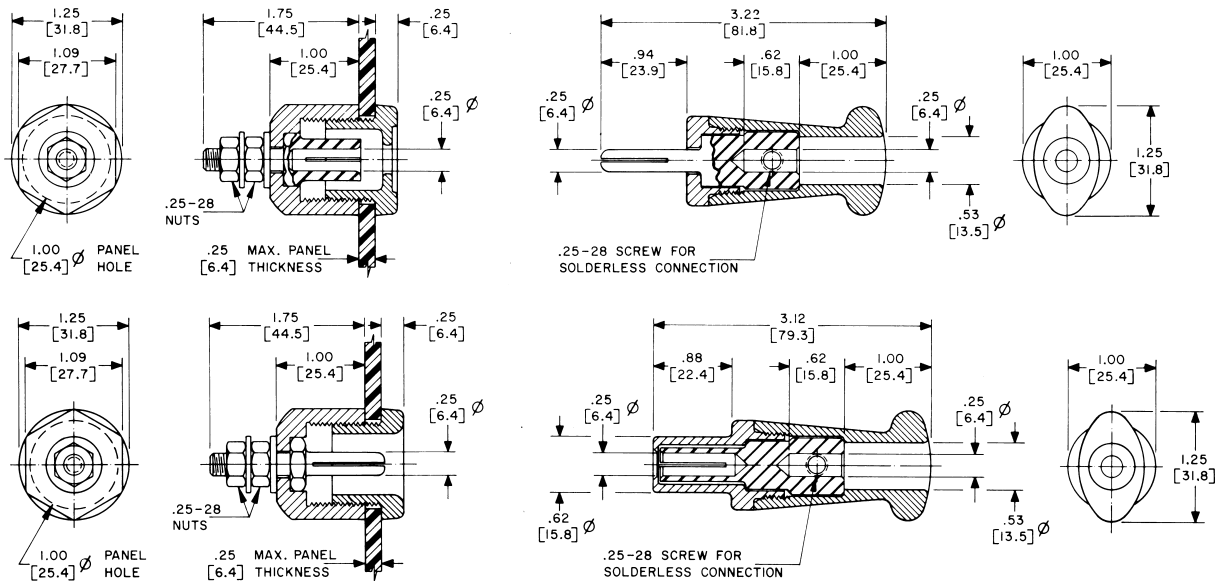
100 AMPERE TYPES				
COLOR	SOCKET RECEPTACLE	PIN PLUG	PIN RECEPTACLE	SOCKET PLUG
BLACK	RS100GB	PP100GB	RP100GB	PS100GB
YELLOW	RS100GY	PP100GY	RP100GY	PS100GY
RED	RS100GR	PP100GR	RP100GR	PS100GR
BLUE	RS100GBL	PP100GBL	RP100GBL	PS100GBL
GREEN	RS100GGN	PP100GGN	RP100GGN	PS100GGN
WHITE	RS100GWT	PP100GWT	RP100GWT	PS100GWT



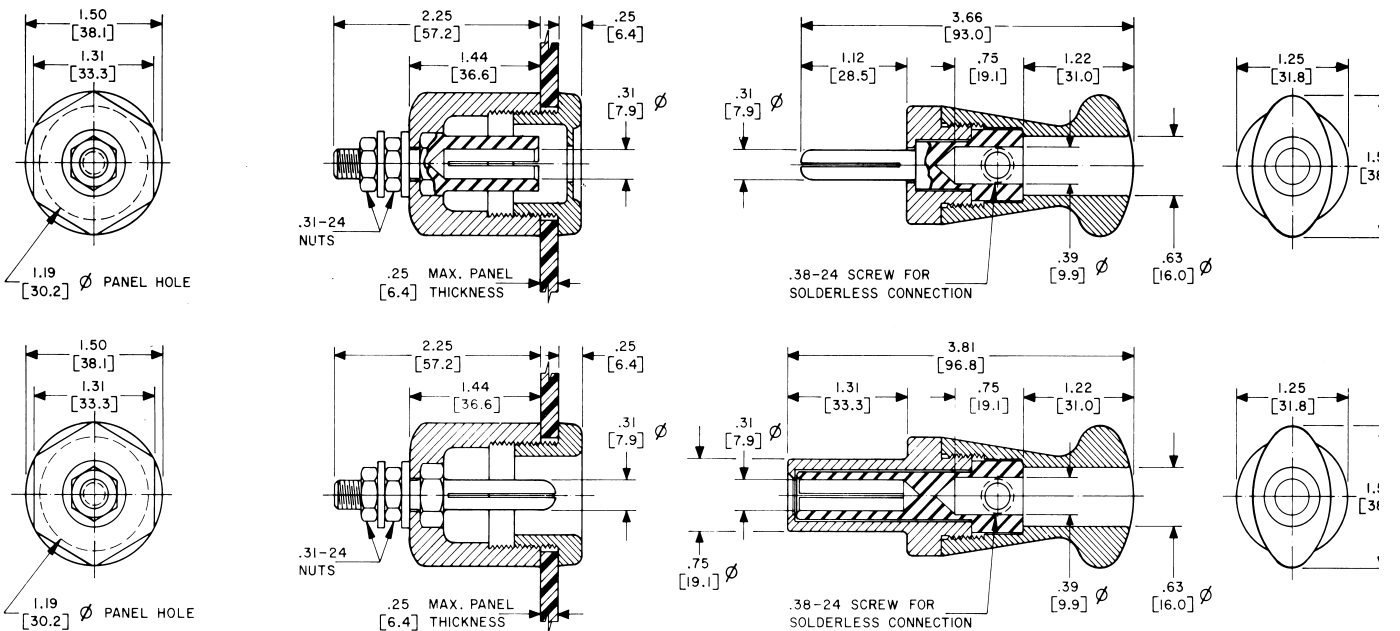
## 25 AMPERE TYPES OUTLINES



## 50 AMPERE TYPES OUTLINES

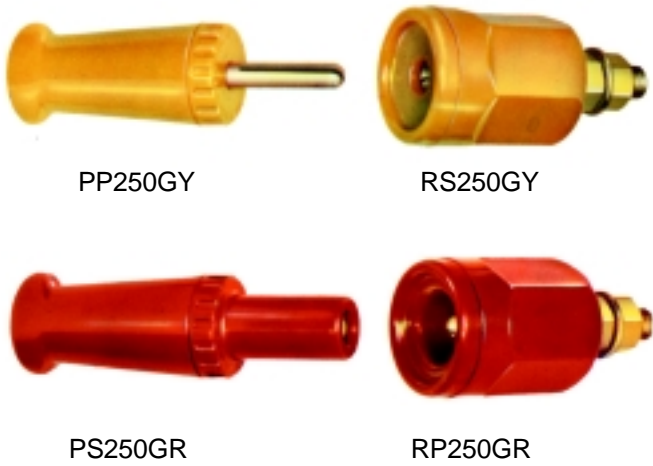


## 100 AMPERE TYPES OUTLINES



# SUPERCON®

## Electrical Connectors



250 AMPERE TYPES				
COLOR	SOCKET RECEPTACLE	PIN PLUG	PIN RECEPTACLE	SOCKET PLUG
BLACK	RS250GB	PP250GB	RP250GB	PS250GB
YELLOW	RS250GY	PP250GY	RP250GY	PS250GY
RED	RS250GR	PP250GR	RP250GR	PS250GR
BLUE	RS250GBL	PP250GBL	RP250GBL	PS250GBL
GREEN	RS250GGN	PP250GGN	RP250GGN	PS250GGN
WHITE	RS250GWT	PP250GWT	RP250GWT	PS250GWT

### 250 AMPERE TYPES OUTLINES

