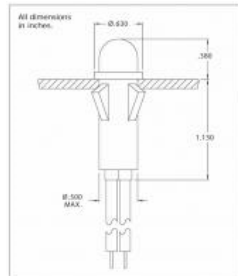




Products

LED Indicators

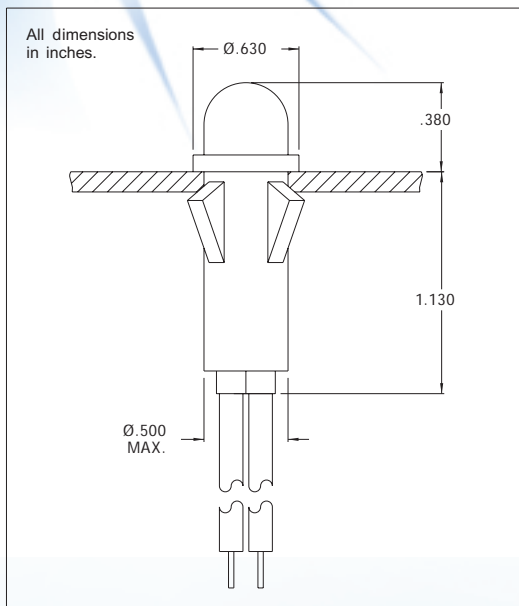
CML IT offers panel mount indicators manufactured with LED, Neon or Incandescent light sources. These indicators are available in a number of different lens and termination styles, with voltages of 2V ~ 250V available off-the-shelf.



Part Number: 1091M5-24V
Serial Number: 1091
Mounting hole (inch): 1/2"
Mounting hole (metric): 12.7mm
Indicator type:
Mounting type:
Bezel type:
Bezel material:
Bezel color:
Bezel size:
Protection:
Lens type:
Lens color: Green
Lens size:
Connector tpe: 4.5" 22 AWG wire
Connector number:
Connector for lamp test:
Number LED chip:
Indicator color: green
Dom wave length:
Peak wave length (mA):
Op. voltage (V): 24.0
Forward volt max:
Rectifier:
AC current:
DC current:
Lum in min (mcd):
Lum in type (DC):
Voltage type (%):
Op. temperature (°C):
Storage temperature (°C):
Narrative:
Viewing angle (°):
RoHS Status: Yes

1091M Series Non-Relampable LED Indicator Lights

DESCRIPTION AND FEATURES



Solid-state indicator lights complete with built-in current-limiting resistor and rectifier diode.

Mounting: Will snap-fit into Ø.500/.505 hole in panels .020/.100 thick. Push-on speednut SN0461 also available.
Mounting hole pattern on page SP2.

Wire Leads: No.22 AWG (105°C), lead color: red and white, 4.40/4.80 long, stripped .430/.570

Lens: Polycarbonate

Anode(+): Red lead

Bezel: Polished stainless steel. For black finish add "X" after the series letter(s).

Housing: White Nylon

Lens Color	LED Solid State Indicator			
	Model No. (6V)	Model No. (12V)	Model No. (24V)	Model No. (105-125 VAC *)
Red	1091M1-6V	1091M1-12V	1091M1-24V	1091M1-125VAC
Green	1091M5-6V	1091M5-12V	1091M5-24V	1091M5-125VAC
Yellow	1091M7-6V	1091M7-12V	1091M7-24V	1091M7-125VAC
Internal Resistor (ohms)	150	390	1000	(2) 3.9K1/2W* (One Internal)

Notes: Also incorporates IN4004 (400 P.I.V.) rectifier diode.

*125 VAC supplied with 6" white wire, stripped 1/2" with external 3.9K 1/2 watt resistor attached to one lead, covered with shrink tubing insulation.

Voltage Table		
Nominal	VAC	VDC
6V	5 to 11	3.5 to 6.5
12V	10 to 20	6 to 13.5
24V	22 to 32	12 to 24
125 VAC	105 to 125	-

Lens Color	Incorporates LED*
Red	4304H1
Green	4304H5
Yellow	4304H7

* Also incorporates 1N4004 (400 P.I.V.) rectifier diode.

To use 24V model: Beyond 32VAC add 30 ohms per volt; beyond 24 VDC add 50 ohms per volt.
Use 1/2W resistor up to 50V; 1W resistor for 50V to 70V; 2W resistor for 75V to 125V. Do not use beyond 125V.