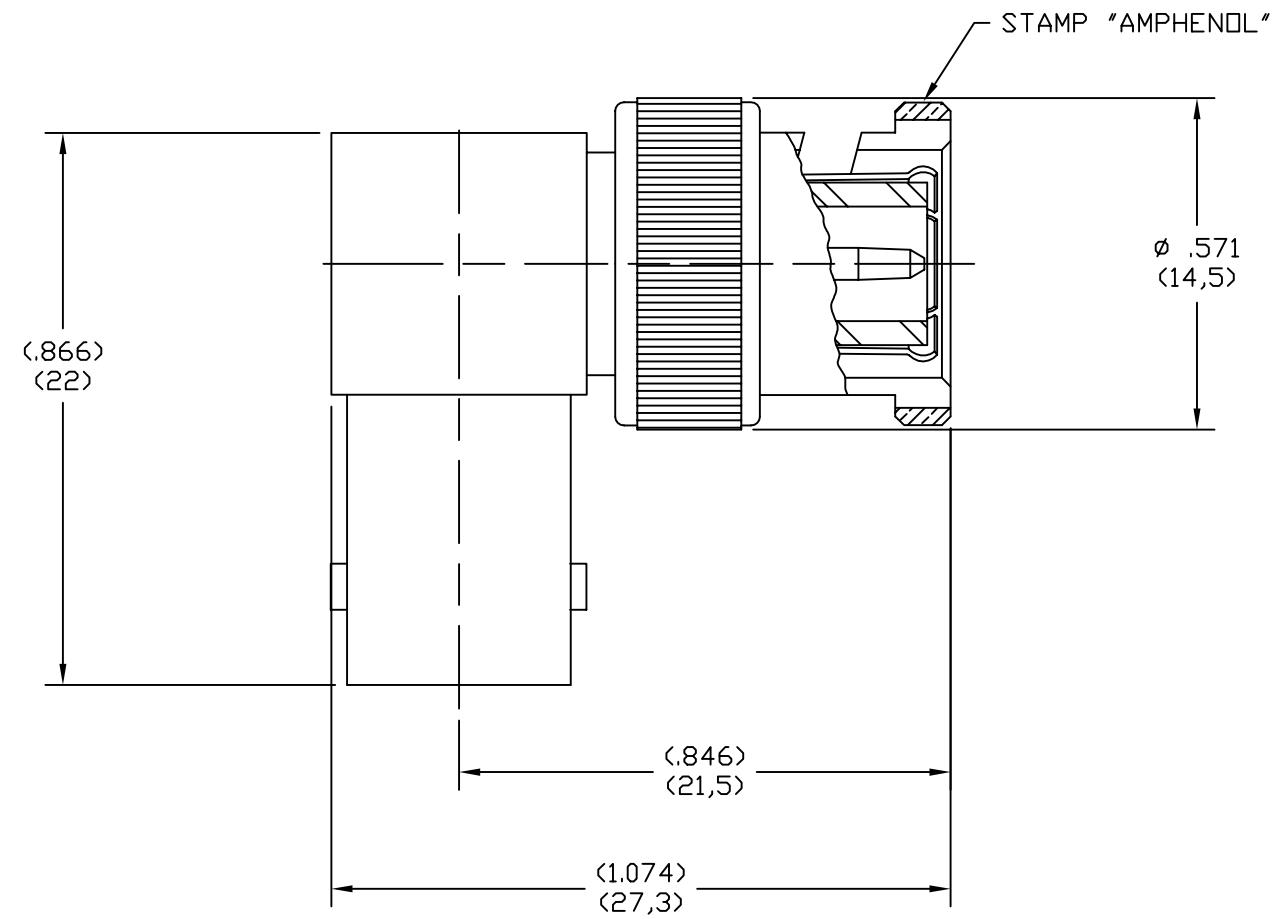


31-9-RFX
 DRAWING NO.
 THIRD ANGLE PROJ.

REVISIONS				
REV	DESCRIPTION	DATE	ECO	APPR
	RELEASE TO MFG.			
C	ADDED SHEET 2	1/15/99	42788	CPM/
D	SEE SHEET 1	9/2/04	45134	CPM/

NOTES:

- MATERIALS OF CONSTRUCTION:
 SHELL, HOUSING, BODY & RETAINING RING = BRASS (ASTM-B16 H02, C36000), NICKEL PLATED (.000100 MIN) OVER COPPER
 COVER, WASHER & LOCKING RING = BRASS (QQ-B-613), NICKEL PLATED (.000100 MIN) OVER COPPER
 INSULATORS (2) = PTFE PER ASTM D 1710 OR EQUIV.
 GASKET = SILICONE RUBBER, COLOR RED
 CONTACT PIN = BERYLLIUM COPPER (QQ-C-530, ALLOY 173 COND H), GOLD PLATE (.000003 MIN.) OVER NICKEL (.000100 MIN)
 CONTACT PIN = BRASS (ASTM-B16 H02, C36000), GOLD PLATE (.000003 MIN.) OVER NICKEL (.000100 MIN)
 SPRING = SK5 (COPPER ALLOY), NICKEL PLATED (.000200 MIN) OVER COPPER STRIKE
- PACKAGE IN BAG 999-310.
- DO NOT SCALE THIS DRAWING.
- UNLESS OTHERWISE SPECIFIED, ALL DIMENSIONS ARE AFTER PLATING.



CUSTOMER OUTLINE DRAWING
 ALL OTHER SHEETS ARE FOR INTERNAL USE ONLY

UNLESS OTHERWISE SPECIFIED, DIMENSIONS ARE IN INCHES AND TOLERANCES ARE: 2 PLACE DECIMAL ±.015 (0,381 mm) 3 PLACE DECIMAL ±.005 (0,127 mm) ANGLES ± 1°	MATERIAL	DRAWN C. McGRATH	DATE 1/13/99	TITLE BNC MALE TO FEMALE R/A ADAPTOR	Amphenol Amphenol Corporation RF/Microwave Operations Danbury, Conn. U.S.A. 06810
	REFERENCE	ENGINEER T. AUBIN	DATE 1/13/99		
NOTICE - These drawings, specifications, or other data (1) are, and remain the property of Amphenol Corp. (2) must be returned upon request; and (3) are confidential and not to be disclosed to any person other than those to whom they are given by Amphenol Corp. The furnishing of these drawings, specifications, or other data by Amphenol Corp., or to any other person to anyone for any purpose is not to be regarded by implication or otherwise in any manner licensing, granting rights or permitting such holder or any other person to manufacture, use or sell any product, process or design, patented or otherwise, that may in any way be related to or disclosed by said drawings, specifications, or other data.		APPROVED T. AUBIN	DATE 1/14/99	SCALE: 3:1	SHEET 2 OF 2
		CAD FILE H:\DEPT611\BNC\031\ASSY\9RFXSHT1	CODE ID 74868	DWG SIZE B	DRAWING NO. 31-9-RFX