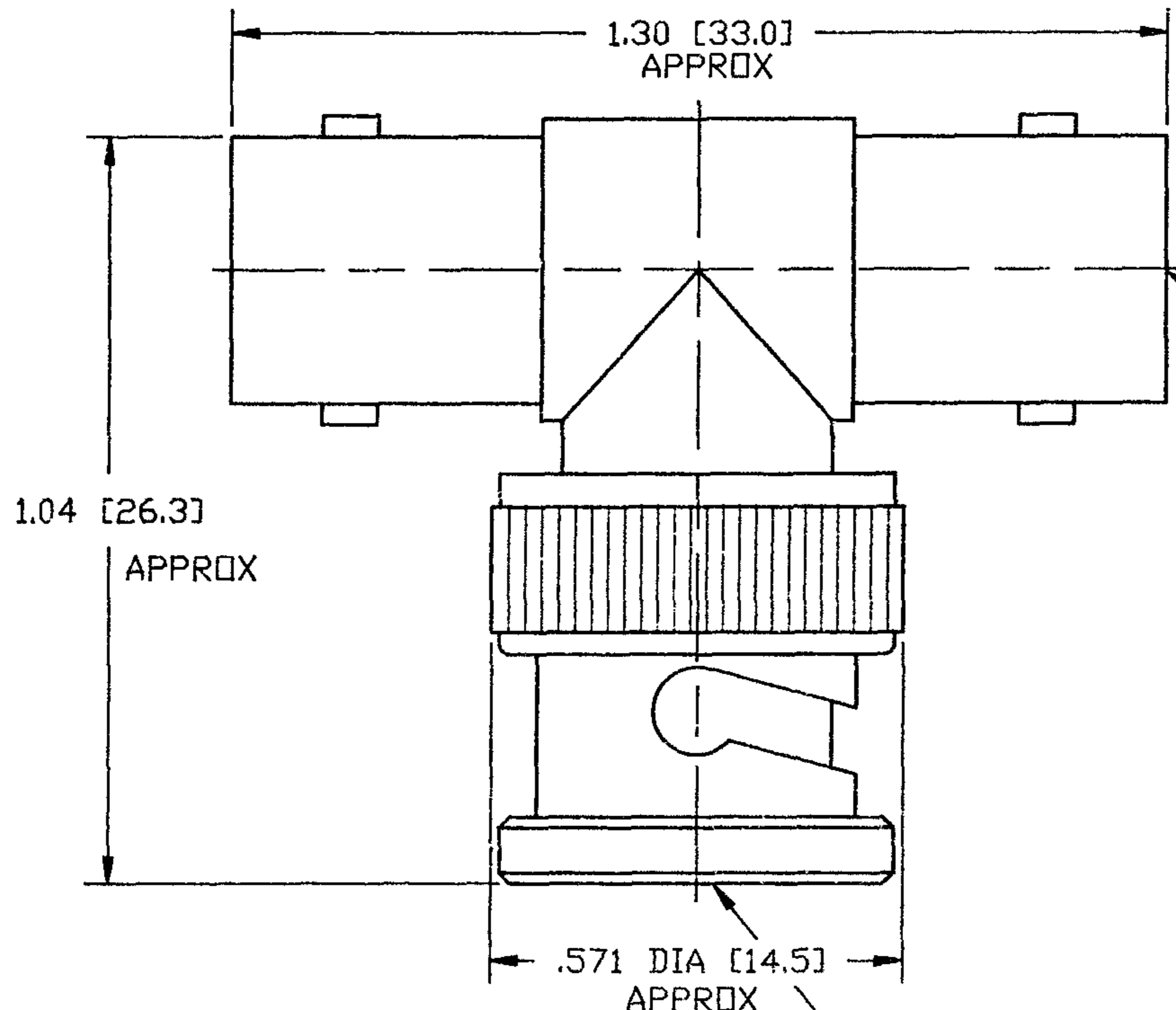


DO NOT SCALE THIS DRAWING

31-208-RFX		REVISIONS			
DRAWING NUMBER	SYM	DESCRIPTION	DATE	E.C.O. NO.	APPR.
	A	OFFICIAL ENG. RELEASE TO MFG.	10/2/91	38063	DR
	B	ADDED DETAILED COUPLING NUT & NOTES	1-3-92	38703	DR
	C	REVISE VIEW	27 JULY 93	39654	PB/



INTERMATEABLE WITH BNC PLUG PER MIL-C-39012 BOTH ENDS

INTERMATEABLE WITH BNC JACK PER MIL-C-39012

NOTES:

1. ZINC DIECAST BODY, NICKEL PLATED.
2. DELRIN INSULATOR.
3. PHOSPHOR BRONZE CONTACT, GOLD PLATED .000003
4. PACKAGE IN BAG #999-318.

PART NO.	QUAN	UOM	ITEM LINE NO.	DESCRIPTION	CODE	FINISH
----------	------	-----	---------------	-------------	------	--------

LIST OF MATERIAL

H:\DEPT611\BNC\031\ASSY\208RFX (PLOT SCALE 2)

REMOVE ALL BURRS, BREAK CORNERS AND SHARP EDGES .005 MAXIMUM UNLESS OTHERWISE SPECIFIED.

NEXT ASSY	USED ON	UNLESS OTHERWISE SPECIFIED DIMENSIONS ARE IN INCHES. TOLERANCES NOT OTHERWISE SPECIFIED ARE:
		2 PLACE DECIMAL ±.015 (0,381 mm)
		3 PLACE DECIMAL ±.005 (0,127 mm)
		ANGLES ± 1°
		REFERENCE DRAWING NO
		EAR 962370-0

DRAWN BY	DATE	TITLE
TERRI ALBERA	3/12/91	BNC TEE ADAPTER JACK - PLUG - JACK UG274A/U TYPE, 50 OHM
CHECKED D. ROYCE	9-13-91	
ENGINEER D. ROYCE	9-13-91	
QUALITY ASSURANCE Z. KAMINSKY	9-13-91	
MFG. ENG. H. FREDET	9-13-91	

CODE IDENTIFICATION	DRAWING SIZE	DRAWING NO.
74868	B	31-208-RFX

Amphenol Corporation		
RF/Microwave Operations Danbury, Conn. U.S.A.		
SCALE NTS	SHEET	OF
ISSUE	C	

Design Products Co. Inc. Clearprint #1020

NOTICE — These drawings, specifications, or other data (1) are, and remain the property of Amphenol Corp. (2) must be returned upon request; and (3) are confidential and are not to be disclosed to any person other than those to whom they are given by Amphenol Corp. The furnishing of these drawings, specifications, or other data by Amphenol Corp., or by any other person to anyone for any purpose is not to be regarded by implication or otherwise as in any manner licensing, granting rights or permitting such holder or any other person to manufacture, use or sell any product, process or design, patented or otherwise, that may in any way be related to or disclosed by said drawings, specifications or other data.