

Flexible LED Light Strip

30 LEDs per Unit

OVQ12S30x7

- High brightness LEDs mounted on flexible circuit board
- Energy saving lighting solution
- Low power consumption
- Operating life longer than fluorescent and incandescent light sources

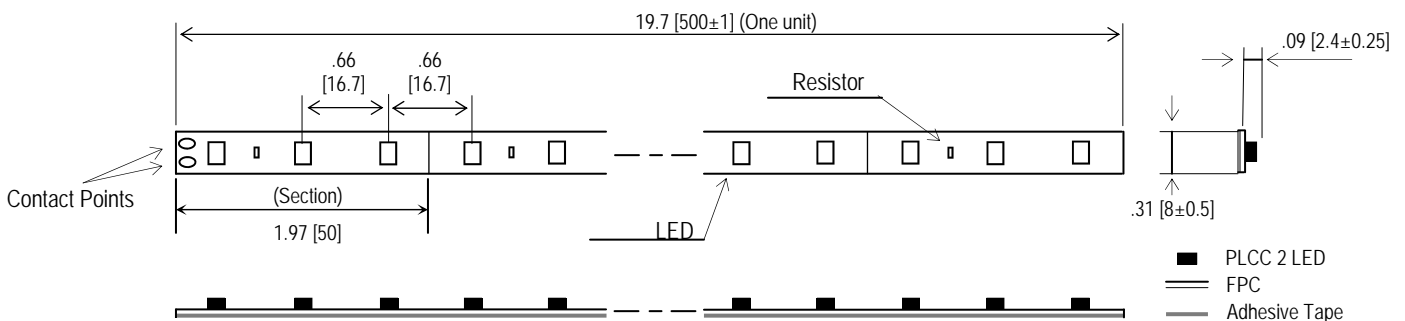


This LED Light Strip is a flexible and scalable lighting solution using high brightness LEDs to supply illumination for residential, commercial, and industrial applications. Up to 16 feet (5 meters) can be operated with a single 12V power supply. Dual-sided tape provides easy installation in most indoor applications and allows many different configurations. Additional mounting options are available for permanent installation.

Applications

- Commercial and residential decoration
- Under-counter lighting
- Media illumination
- Large area backlighting
- Small to medium channel letters
- Point-of-sale displays
- Neon replacement

Flexible Strip		Total Length	LED Quantity
1 Section =		1.97 inches	3
10 Sections =	1 Unit =	19.7 inches	30
10 Units =	1 Reel =	16.4 feet	300



Notes:

- All dimensions are in inches [millimeters].
- Tolerance is $\pm 0.2\text{mm}$ unless otherwise noted.
- Pricing is based on one unit.
- Flexible strip can be cut at the end of any section.
- Each unit begins with solder pads for wire connection.
- 12-volt power supply is sufficient for up to 300 LEDs (1 reel).



DO NOT LOOK DIRECTLY AT LED WITH UNSHIELDED EYES OR DAMAGE TO RETINA MAY OCCUR.

OPTEK reserves the right to make changes at any time in order to improve design and to supply the best product possible.

Flexible LED Light Strip

OVQ12S30x7



Absolute Maximum Ratings

T_A = 25° C unless otherwise noted

Storage Temperature Range		-40 ~ +80° C
Operating Temperature Range		-30 ~ +50° C
Input Voltage (DC)		13 V
Power Dissipation	Red / Yellow	2.7 W
	Green / Blue White/ Warm White	2.3 W
LED Junction Temperature		125° C

Typical Specification

T_A = 25° C unless otherwise noted

Input Voltage (DC)*		12 V
Power Consumption	Red / Yellow	1.9 W
	Green / Blue White/ Warm White	1.6 W
Viewing Angle		120°
New Weight		5 g
Surface Temperature in Operating Condition (Max)		60° C

* Exceeding the typical input voltage can damage the LEDs and reduce the operating life of the product.

Product Selection Guide (One Unit)

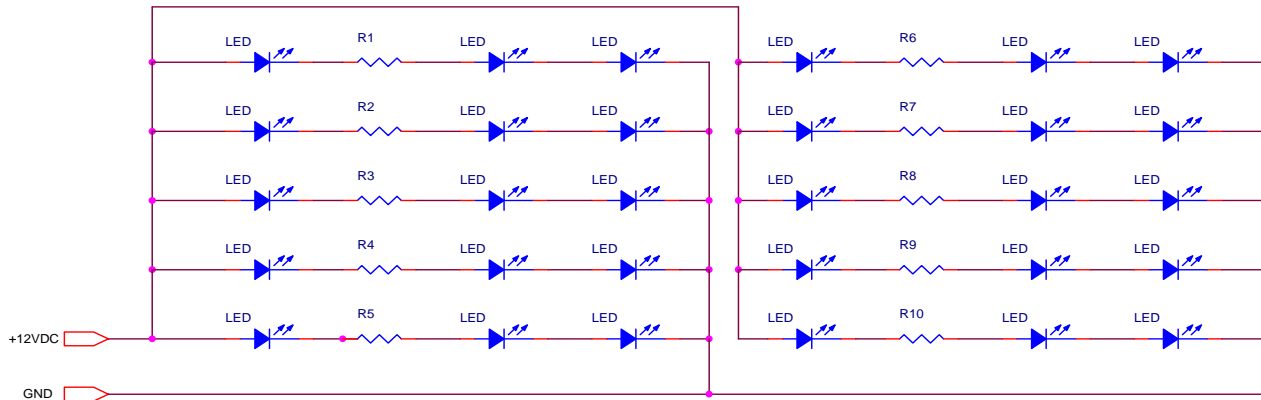
Part No.	Color	Dominant Wavelength λD (nm) or CCT (K) Typical	Typical Illumination (lux @ 0.5m)
OVQ12S30R7	Red	625nm	32
OVQ12S30Y7	Yellow	590nm	32
OVQ12S30G7	Green	525nm	50
OVQ12S30B7	Blue	470nm	20
OVQ12S30W7	White	5500°K	68
OVQ12S30WW7	Warm White	3300°K	60

OPTEK reserves the right to make changes at any time in order to improve design and to supply the best product possible.

Flexible LED Light Strip

OVQ12S30x7

Product Circuit



10 Units on 7-inch Reel

OPTEK reserves the right to make changes at any time in order to improve design and to supply the best product possible.

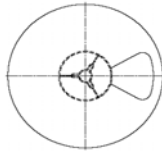
Flexible LED Light Strip

OVQ12S30x7

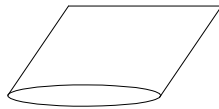
Shipping Package



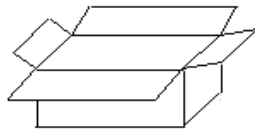
1 unit (30 LEDs)



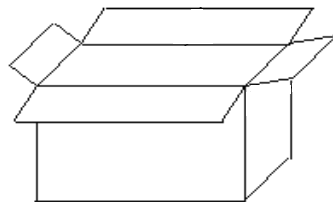
Package A
1 reel (10 units, continuous strip)



Package B contains
1 reel



Carton C contains
10 Packages B



Carton D contains
4 Cartons C

OPTEK reserves the right to make changes at any time in order to improve design and to supply the best product possible.