



13AC1



Actual product appearance may vary.

AC Series Door Switch, Single Pole Double Throw Circuitry, 15 A at 250 Vac, Rod Actuator, Silver Contacts, Screw Termination

Features

- Automatically cuts power when service door or drawer is opened
- Choice of momentary, maintained or pull-to-charge actuation
- Versatile mounting bracket for side or end mounting
- Current rating ranges from 5 A to 25 A
- Available with one or two SPDT switches
- UL recognized versions available
- Choice of termination

Potential Applications

- Appliances
- Vending machines
- Office equipment
- Computer/business equipment
- Test instruments
- Medical/dental equipment
- Communications equipment
- HVAC equipment

Description

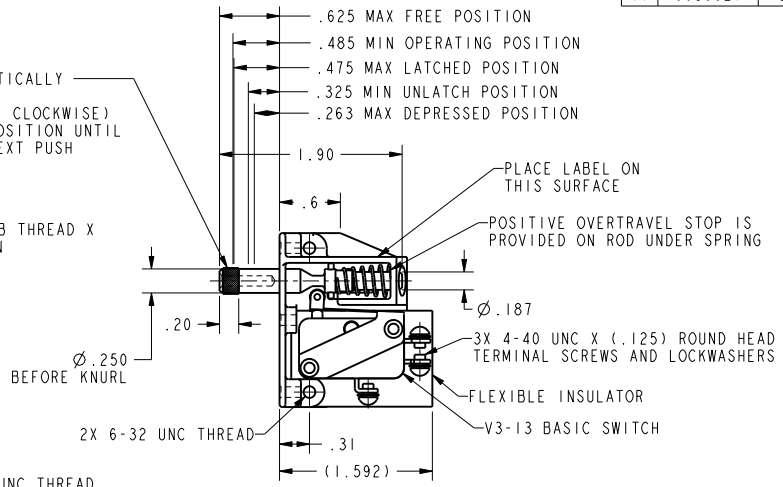
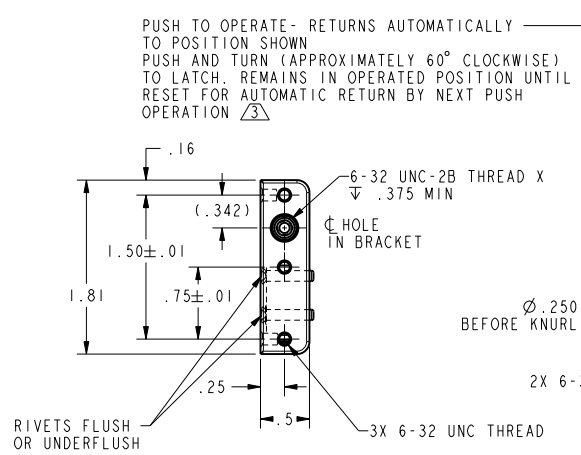
MICRO SWITCH™ AC Series Door Switches are used for simple or precision on/off application needs. They enable circuit testing with POWER ON by manually pulling a rod actuator to the maintained-ON position. Closing the door resets the switch.

| Product Specifications | |
|-----------------------------|---|
| Switch Type | Door 46,0 mm H x 12,7 mm W x 50,0 mm L [1.8 in H x 0.5 in W x 1.9 in L] |
| Sealed | No |
| Ampere Rating | 15 A |
| Circuitry | Single Pole Double Throw (SPDT) |
| Actuator | Rod |
| Termination | Screw |
| Operating Temperature Range | -18 °C to 149 °C [-65 °F to 300 °F] |
| Voltage | 250 Vac |
| Contact Type | Silver |
| Operating Position (O.P.) | 12,3 mm [0.485 in] min. |
| Free Position (F.P.) | 15,9 mm [0.625 in] max. |

| | |
|------------------|--|
| Housing Material | Stainless Steel Bracket, Stainless Steel Rod |
| Weight | 42,64 g [.094 lb] |
| Package Height | 46 mm [1.81 in] |
| Package Width | 13,21 mm [.52 in] |
| Package Length | 56,4 mm [2.22 in] |
| Availability | Global |
| UNSPSC Code | 30211905 |
| UNSPSC Commodity | 30211905 Snap switches |
| Series Name | AC |

| |
|--------------------------|
| HONEYWELL PART NUMBER |
| 13AC1 |

| REV | DOCUMENT | CHANGED BY | CHECK |
|-----|----------|------------|-------|
| 11 | 0036921 | SS 25JAN08 | BLR |



ELECTRICAL DATA

CONTACT ARRANGEMENT
 S P D T
 15.1A 1/2HP 125, 250 VAC
 1/2A 125 VDC, 1/4A 250 VDC
 5A 125 VAC "L"

CHARACTERISTICS

TOTAL TRAVEL - .360 APPROX
 FULLY DEPRESSED FORCE - 4 LBS MAX

NOTES

- 1 - PLASTIC PARTS ARE MADE OF MINERAL FILLED PHENOLICS
 - 2 - WITH ROD IN ACTUATED POSITION, BASIC SWITCH PLUNGER MUST HAVE .010 MIN OVERTRAVEL AND WITH ROD IN FREE POSITION BASIC SWITCH PLUNGER MUST HAVE .005 MIN RELEASE TRAVEL
- \triangle PLUNGER MUST BE DEPRESSED TO WITHIN .325 FROM THE FRONT SURFACE OF MOUNTING BRACKET TO ASSURE RESET FOR AUTOMATIC RETURN

| |
|--------------------------|
| DESIGN UNITS: INCH |
| TOLERANCES UNLESS NOTED: |
| NO PLACES X ± |
| ONE PLACE .X ± 0.030 |
| TWO PLACE .XX ± 0.015 |
| THREE PLACE .XXX ± 0.005 |
| ANGLES X ± |
| THIRD ANGLE PROJECTION |

| | | |
|--|-----|---------|
| DRAWN | SS | 25JAN08 |
| CHECK | BLR | 25JAN08 |
| THIS DRAWING COVERS A PROPRIETARY ITEM AND IS THE PROPERTY OF HONEYWELL. THIS DRAWING IS NOT TO BE COPIED OR USED WITHOUT THE PERMISSION OF HONEYWELL. | | |
| INTERPRET PER ANSI Y14.5M-1982 OTHER HONEYWELL ENGINEERING STANDARDS MAY APPLY | | |
| Pro/ENGINEER | 3D | |

| | | | | |
|----------------------------------|------|-----------|--------------|-----|
| Honeywell | | | | |
| TITLE ASSEMBLY, SWITCH | | | | |
| SIZE | TYPE | CAGE CODE | DRAWING NAME | REV |
| B | I | - | 13AC1 | 11 |
| SCALE 1:1 | | | SHEET 1 OF 1 | |