

Back

- o Flat Cable Connectors SEK
- o *har-mik*
- o D-Sub
- o InduCom

Applications

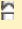

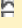
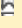
Product details

09 33 006 2601 Male insert, Han 6 E

| | |
|--------------------------|--------------------------------------------|
| Series | Han E®, Han® ES/ESS, Han E® AV, Han® ES AV |
| Number of contacts | 6 poles + PE |
| Size of hood/ housing | Han® 6 B |
| Termination | Screw term. with wire prot. |
| Insert material | Standard material |
| Contacts | Inclusive |
| Electrical data | 16 A 500 V 6 kV 3 |
| RoHS compliant | Yes |

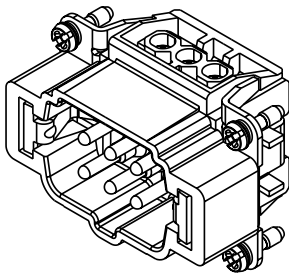
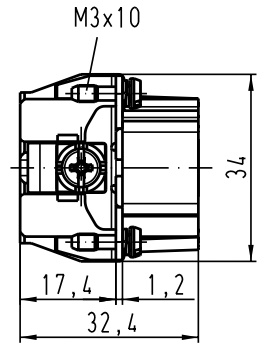
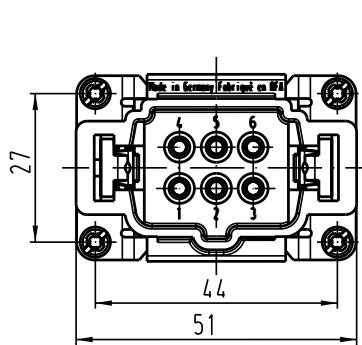
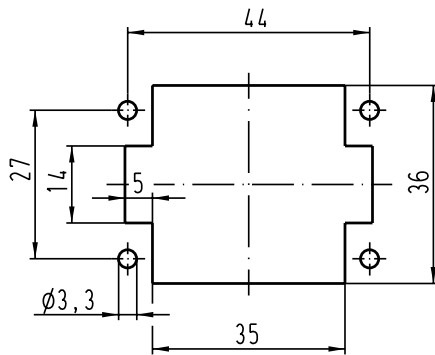
Inquiry

Available Downloads

| Title | Format | |
|-------------|--------|----------------------------------------------------------------------------------------------|
| Data sheet | PDF |  download |
| CAD data 2D | DXF |  download |
| CAD data 3D | IGES |  download |
| CAD data 3D | STEP |  download |

Alle Rechte vorbehalten/ All rights reserved

Montageausschnitt/
panel cut out



| | | | | | | |
|-----------------------------------------------|----------|-------------------|--------------------------------|-------------|----------------------------------------------|-------------------------------------------------|
| All Dimensions in mm Original Size DIN A 4 | | Techn. Character. | | | Nicht tolerierte Masse! free size tolerances | |
| | | | Dat. | Name | Massestab/Scale | Han 6E-M-s Stifteinsatz / male insert |
| | | | Detail. | 09.04.98 KR | | |
| | | | Insp. | Rue. | | |
| 410526 | 18.07.03 | Ho | Stand. | | 1:1 | TB 09 33 006 2601 |
| 28552 | 11.10.00 | ROH. | HARTING Electric GmbH & Co. KG | | | |
| 26781 | | | D-32339 Espelkamp | | | |
| Mod. | Dat. | Name | | | | Sub. |
| | | | | | | Blatt / page |