

Switch Language

English

Need Assistance?

- Contact Us
- Find a Distributor
- Order Samples
- Tech Library

[Printer-friendly page](#)

[Email this page](#)

[Home](#) [Crimp Housings](#) [Datasheet](#)

Part Number: 0039013023

Status: Active **Overview:** [Mini-Fit Jr.™](#)

Description: 4.20mm (.165") Pitch Mini-Fit Jr.™ Plug Housing, Dual Row, without Panel Mount Ears, PA Polyamide Nylon 6/6, UL 94V-2, 2 Circuits

Documents:

Note - Please disable browser pop-up blockers for documents on www.molex.com

- [Drawing \(PDF\)](#) [Product Specification PS-5556-001 \(PDF\)](#)
- [3D Model](#) [Related Catalog Page \(PDF\)](#)

Order Products:

- [Check Distributor Inventory](#) [Add to My Parts](#)
- [Request Samples](#)

Part Detail: [\(show all\)](#)

[General](#) [Physical](#) [Electrical](#) [Material Info](#)

General

| | |
|----------------|---|
| Product Family | Crimp Housings |
| Series | 5559 |
| Comments | Glow Wire Equivalent Part Number 50361678 |
| Overview | Mini-Fit Jr.™ |
| Product Name | Mini-Fit Jr.™ |

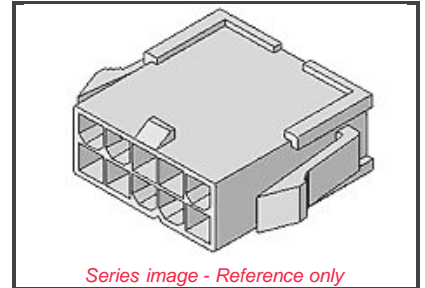
Physical

| | |
|-------------------------------|-----------------|
| Breakaway | No |
| Circuits (maximum) | 2 |
| Color - Resin | Natural |
| Flammability | 94V-2 |
| Gender | Male |
| Keying to mating part | None |
| Lock to Mating Part | Yes |
| Material - Resin | Nylon |
| Number of Rows | 2 |
| Packaging Type | Bag |
| Panel Mount | No |
| Pitch - Mating Interface (in) | 0.165 In |
| Pitch - Mating Interface (mm) | 4.20 mm |
| Pitch - Term. Interface (in) | 0.165 In |
| Pitch - Term. Interface (mm) | 4.20 mm |
| Polarized to Mating Part | Yes |
| Stackable | No |
| Temperature Range - Operating | -40°C to +105°C |

Electrical

| | |
|-------------------|------------|
| CSA | LR19980 |
| Current - Maximum | 12.000 Amp |
| Current - Maximum | 9.000 Amp |
| TUV | R75142 |
| UL | E29179 |

Material Info



EU RoHS **China RoHS**
ELV and RoHS Compliant



Need more information on product compliance?

Email productcompliance@molex.com

Please visit the [Contact Us](#) section for any non-product compliance questions.

Search Parts in this Series

[5559](#) Series

Mates With

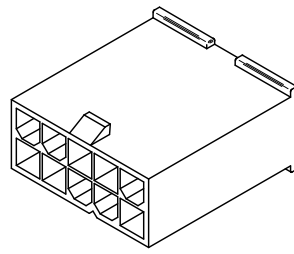
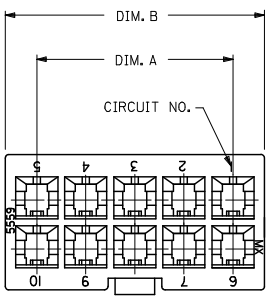
[39013028](#) Receptacle Housing
[39012025](#) Receptacle Housing

Use With

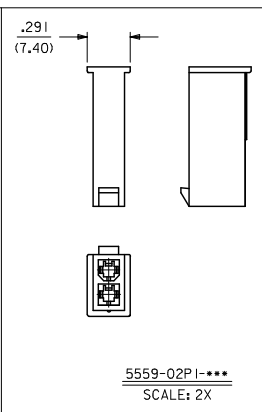
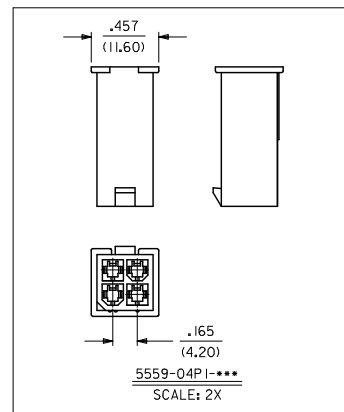
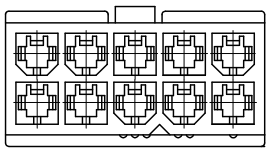
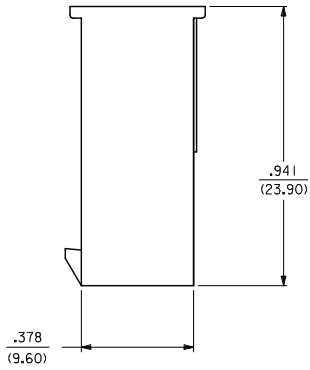
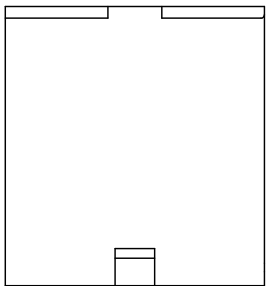
[5558](#) Mini-Fit Jr.™ Male Crimp Terminals
[44478](#) Mini-Fit HCS™ Male Crimp Terminals
[30490](#) Mini-Fit® Male Grounding Crimp Terminals

| | |
|------------------------------------|--------------|
| Old Part Number | 5559-02P1 |
| Reference - Drawing Numbers | |
| Product Specification | PS-5556-001 |
| Sales Drawing | SD-5559-NP1* |

13 12 11 10 9 8 7 6 5 4 3 2 1



| CKT. SIZE | DIM. A | DIM. B |
|-----------|------------------|------------------|
| 6 | .331 (8.40) | .543 (13.80) |
| 8 | .496 (12.60) | .709 (18.00) |
| 10 | .661 (16.80) | .874 (22.20) |
| 12 | .827 (21.00) | 1.039 (26.40) |
| 14 | .992 (25.20) | 1.205 (30.60) |
| 16 | 1.157 (29.40) | 1.370 (34.80) |
| 18 | 1.323 (33.60) | 1.535 (39.00) |
| 20 | 1.488 (37.80) | 1.701 (43.20) |
| 22 | 1.654 (42.00) | 1.866 (47.40) |
| 24 | 1.819 (46.20) | 2.031 (51.60) |



- NOTES:
- MATERIAL: BLANK-NYLON 6/6, UL 94V-2, COLOR: NATURAL
BL-NYLON 6/6, UL94V-2, COLOR: BLACK
210-NYLON 6/6, UL 94V-0, COLOR: NATURAL
220-NYLON 6/6, UL 94V-2, U.V. STABILIZED, COLOR: BLACK
 - FINISH: N/A
 - PRODUCT SPECIFICATION: PS-5556-001
 - PACKAGING SPECIFICATION: SEE CHARTS
 - THIS PART MATES WITH RECEPTACLE #5557
 - THIS PART IS FOR USE WITH MOLEX MALE TERMINAL #5558-*

| | | |
|--|-------------------------------|-------------|
| ADDED PK SPECS EC NO: UCP2009-0724 DRAWN: KLOSTERMEYER 2008/10/01 CHKD: BELL 2008/10/03 APPR: SMITH 2008/10/03 | QUALITY SYMBOLS ▽=0 ▽=0 | DESCRIPTION |
|--|-------------------------------|-------------|

| GENERAL TOLERANCES (UNLESS SPECIFIED) | |
|---------------------------------------|-------|
| mm | INCH |
| 4 PLACES ±.005 | ±.001 |
| 3 PLACES ±.005 | ±.015 |
| 2 PLACES ±0.38 | ±.005 |
| 1 PLACE ±.005 | ±.005 |
| ANGULAR ±1/2° | |

| DIMENSION STYLE | |
|-----------------|------------|
| IN/MM | DATE |
| DRAWN BY | DATE |
| RJF | 1989/09/22 |
| CHECKED BY | DATE |
| BAP | 1989/09/22 |
| APPROVED BY | DATE |
| RUS | 1989/09/22 |

| | | |
|---|---------------------|------------------------|
| SCALE 4:1 | DESIGN UNITS METRIC | THIRD ANGLE PROJECTION |
| TITLE MINI FIT JR SERIES PLUG W/O MTG. EARS | | |
| MATERIAL NO. SD-5559-NP1* | | |
| DOCUMENT NO. | | |
| SHEET NO. 1 OF 2 | | |

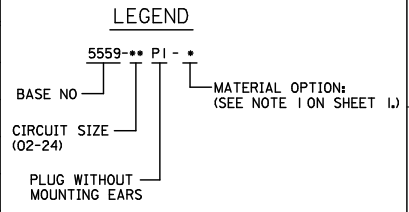
DRAFT WHERE APPLICABLE
MUST REMAIN WITHIN DIMENSIONS

SEE CHART

THIS DRAWING CONTAINS INFORMATION THAT IS PROPRIETARY TO MOLEX INCORPORATED AND SHOULD NOT BE USED WITHOUT WRITTEN PERMISSION

12 11 10 9 8 7 6 5 4 3 2 1

| 13 | 12 | 11 | 10 | 9 | 8 | 7 | 6 | 5 | 4 | 3 | 2 | 1 |
|-------------|-------------|--------------|----------|-------------------------|-------------|---------------|--------------|----------|-------------------------|---|---|---|
| PART NUMBER | ENG. NUMBER | CIRCUIT SIZE | MATERIAL | PACKAGING SPECIFICATION | PART NUMBER | ENG. NUMBER | CIRCUIT SIZE | MATERIAL | PACKAGING SPECIFICATION | | | |
| 39-01-3023 | 5559-02P1 | 2 | 94V-2 | PK-5559-002 | 39-01-3029 | 5559-02P1-210 | 2 | 94V-0 | PK-5559-002 | | | |
| 39-01-3043 | 5559-04P1 | 4 | 94V-2 | BULK | 39-01-3049 | 5559-04P1-210 | 4 | 94V-0 | BULK | | | |
| 39-01-3063 | 5559-06P1 | 6 | 94V-2 | BULK | 39-01-3069 | 5559-06P1-210 | 6 | 94V-0 | BULK | | | |
| 39-01-3083 | 5559-08P1 | 8 | 94V-2 | BULK | 39-01-3089 | 5559-08P1-210 | 8 | 94V-0 | BULK | | | |
| 39-01-3103 | 5559-10P1 | 10 | 94V-2 | BULK | 39-01-3109 | 5559-10P1-210 | 10 | 94V-0 | BULK | | | |
| 39-01-3123 | 5559-12P1 | 12 | 94V-2 | BULK | 39-01-3129 | 5559-12P1-210 | 12 | 94V-0 | BULK | | | |
| 39-01-3143 | 5559-14P1 | 14 | 94V-2 | BULK | 39-01-3149 | 5559-14P1-210 | 14 | 94V-0 | BULK | | | |
| 39-01-3163 | 5559-16P1 | 16 | 94V-2 | BULK | 39-01-3169 | 5559-16P1-210 | 16 | 94V-0 | BULK | | | |
| 39-01-3183 | 5559-18P1 | 18 | 94V-2 | BULK | 39-01-3189 | 5559-18P1-210 | 18 | 94V-0 | BULK | | | |
| 39-01-3203 | 5559-20P1 | 20 | 94V-2 | BULK | 39-01-3209 | 5559-20P1-210 | 20 | 94V-0 | BULK | | | |
| 39-01-3223 | 5559-22P1 | 22 | 94V-2 | BULK | 39-01-3229 | 5559-22P1-210 | 22 | 94V-0 | BULK | | | |
| 39-01-3243 | 5559-24P1 | 24 | 94V-2 | BULK | 39-01-3249 | 5559-24P1-210 | 24 | 94V-0 | BULK | | | |



| PART NUMBER | ENG. NUMBER | CIRCUIT SIZE | MATERIAL | PACKAGING SPECIFICATION |
|-------------|---------------|--------------|------------------------|-------------------------|
| I5-04-6020 | 5559-02P1-220 | 2 | 94V-2, U.V. STABILIZED | PK-5559-002 |
| NO E.D.P. | 5559-04P1-220 | 4 | 94V-2, U.V. STABILIZED | BULK |
| NO E.D.P. | 5559-06P1-220 | 6 | 94V-2, U.V. STABILIZED | BULK |
| NO E.D.P. | 5559-08P1-220 | 8 | 94V-2, U.V. STABILIZED | BULK |
| NO E.D.P. | 5559-10P1-220 | 10 | 94V-2, U.V. STABILIZED | BULK |
| NO E.D.P. | 5559-12P1-220 | 12 | 94V-2, U.V. STABILIZED | BULK |
| NO E.D.P. | 5559-14P1-220 | 14 | 94V-2, U.V. STABILIZED | BULK |
| NO E.D.P. | 5559-16P1-220 | 16 | 94V-2, U.V. STABILIZED | BULK |
| NO E.D.P. | 5559-18P1-220 | 18 | 94V-2, U.V. STABILIZED | BULK |
| NO E.D.P. | 5559-20P1-220 | 20 | 94V-2, U.V. STABILIZED | BULK |
| NO E.D.P. | 5559-22P1-220 | 22 | 94V-2, U.V. STABILIZED | BULK |
| NO E.D.P. | 5559-24P1-220 | 24 | 94V-2, U.V. STABILIZED | BULK |

| PART NUMBER | ENG. NUMBER | CIRCUIT SIZE | MATERIAL | PACKAGING SPECIFICATION |
|-------------|--------------|--------------|----------|-------------------------|
| 39-01-3026 | 5559-02P1-BL | 2 | 94V-2 | PK-5559-002 |
| 39-01-3046 | 5559-04P1-BL | 4 | 94V-2 | BULK |
| 39-01-3066 | 5559-06P1-BL | 6 | 94V-2 | BULK |
| 39-01-3086 | 5559-08P1-BL | 8 | 94V-2 | BULK |
| 39-01-3106 | 5559-10P1-BL | 10 | 94V-2 | BULK |
| 39-01-3126 | 5559-12P1-BL | 12 | 94V-2 | BULK |
| 39-01-3146 | 5559-14P1-BL | 14 | 94V-2 | BULK |
| 39-01-3166 | 5559-16P1-BL | 16 | 94V-2 | BULK |

| | | | | | | | | | |
|---|-------------------------------|--|----------------------|--------------------------|---------------------|-----------------------------------|----------------------|----------------------------------|--|
| ADDED PK SPECS EC NO. UC2009-0724 DRAWN: KLOSTERMEIER 2008/10/01 CHKD: BELL 2008/10/03 APPR: SMITH 2008/10/03 | QUALITY SYMBOLS ▽=0 ▽=0 | GENERAL TOLERANCES (UNLESS SPECIFIED) | | DIMENSION STYLE IN/MM | | SCALE 1:1 | DESIGN UNITS INCH | THIRD ANGLE PROJECTION | |
| | | 4 PLACES ±.005 ±.005 | 3 PLACES ±.005 ±.005 | 2 PLACES ±.005 ±.015 | 1 PLACE ±0.38 ±.005 | mm | INCH | DRAWN BY: RJF DATE: 1989/09/22 | |
| | | ANGULAR ±1/2° | | | | DRAWN BY: RJF DATE: 1989/09/22 | | CHECKED BY: BAP DATE: 1989/09/22 | |
| | | DRAFT WHERE APPLICABLE MUST REMAIN WITHIN DIMENSIONS | | | | APPROVED BY: ROS DATE: 1989/09/22 | | MATERIAL NO. SD-5559-NP1* | |
| SEE CHART | | | | | | DOCUMENT NO. | | SHEET NO. 2 OF 2 | |

MOLEX INCORPORATED

MINI-FIT JR SERIES
PLUG W/O MTG. EARS

THIS DRAWING CONTAINS INFORMATION THAT IS PROPRIETARY TO MOLEX INCORPORATED AND SHOULD NOT BE USED WITHOUT WRITTEN PERMISSION