

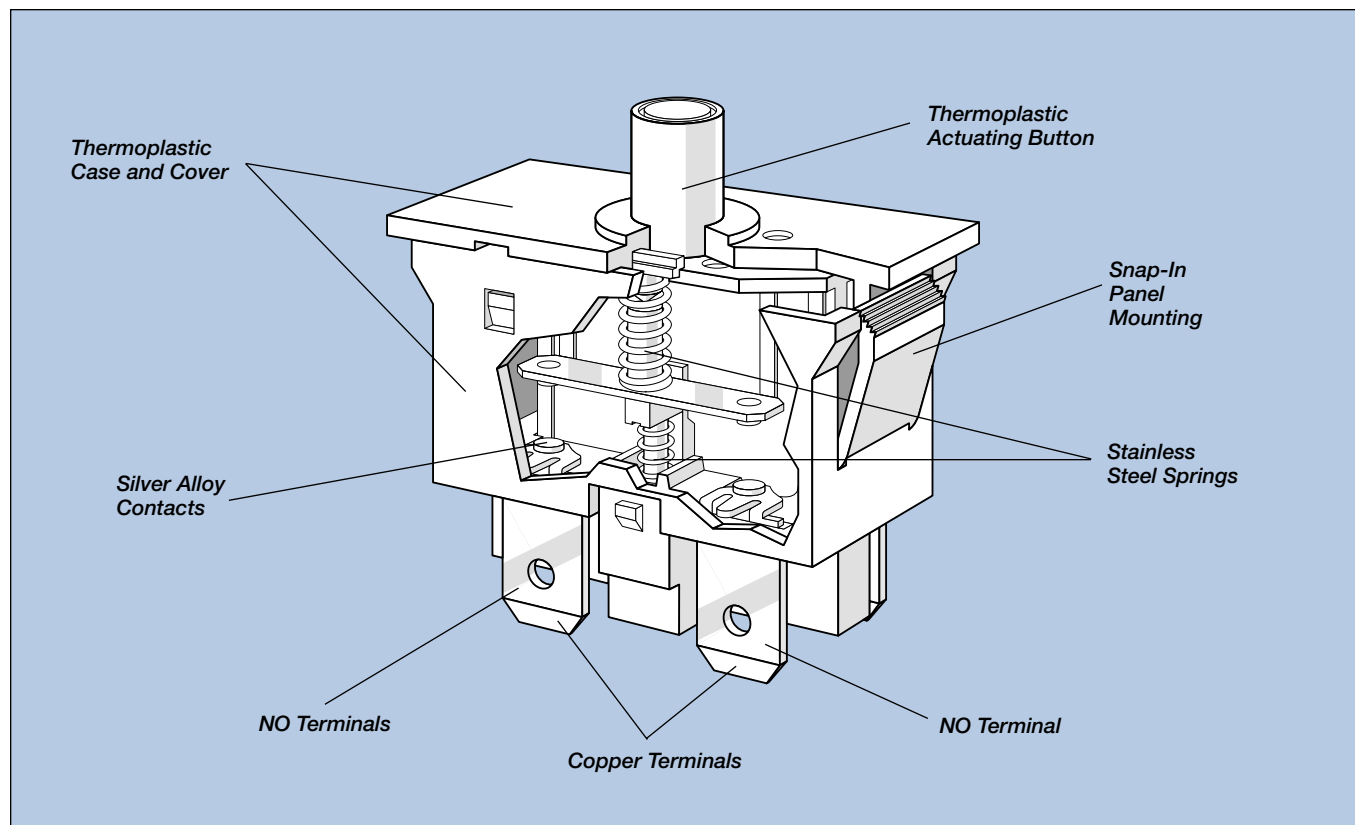
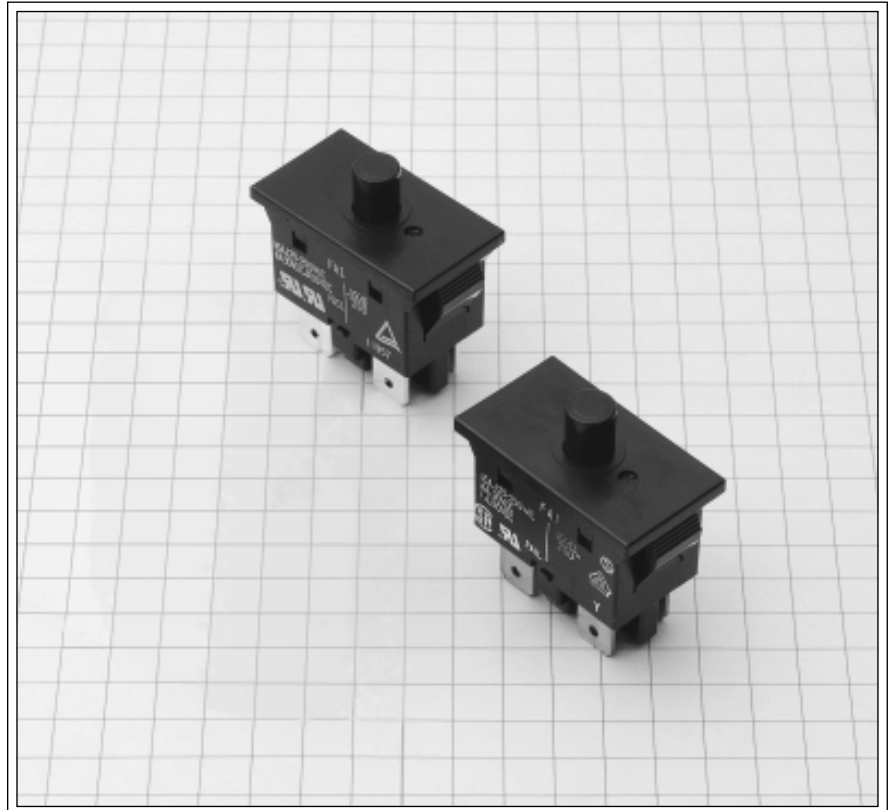
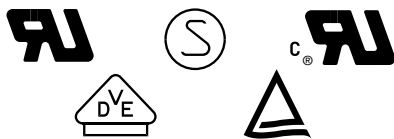
# FA(2) Series

# Two-Circuit Line Interrupt

<b>FA1</b>	<b>16 amp</b>
<b>FA2</b>	<b>10.1 amp</b>
<b>FA3</b>	<b>0.1 amp</b>
<b>FA4</b>	<b>16 amp/0.1 amp</b>
<b>FA5</b>	<b>10.1 amp/0.1 amp</b>

## Features

- Compact size  
1.260"L x 0.709"W x 0.707"H
- Low operating force  
(400 grams max.)
- Long stroke (O.T. 4.3 mm min.)
- Snap in panel mounting
- 3 types of configurations
- 5 current ratings
- Double make shorting bars
- Agency approved extended life versions
- International approval available
- 3 mm minimum contact gaps
- Optional connector available  
(see photo)

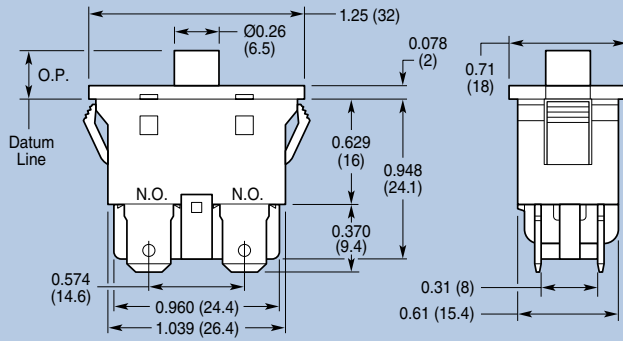


# FA(2) Series

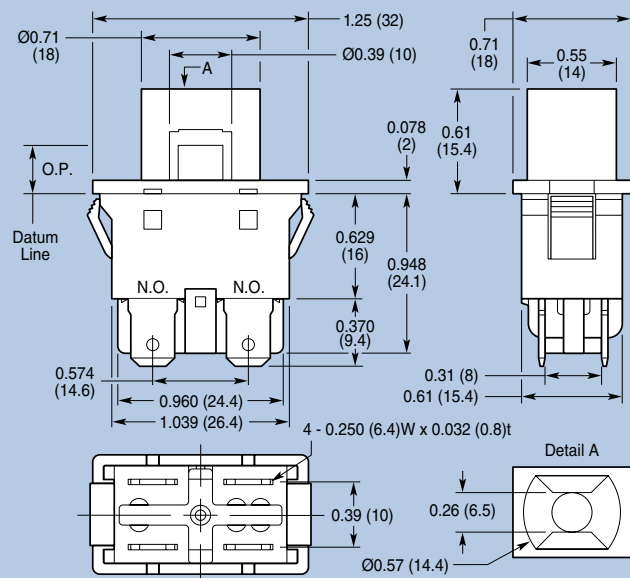
# Two-Circuit Line Interrupt

## Dimensions: Inches (mm)

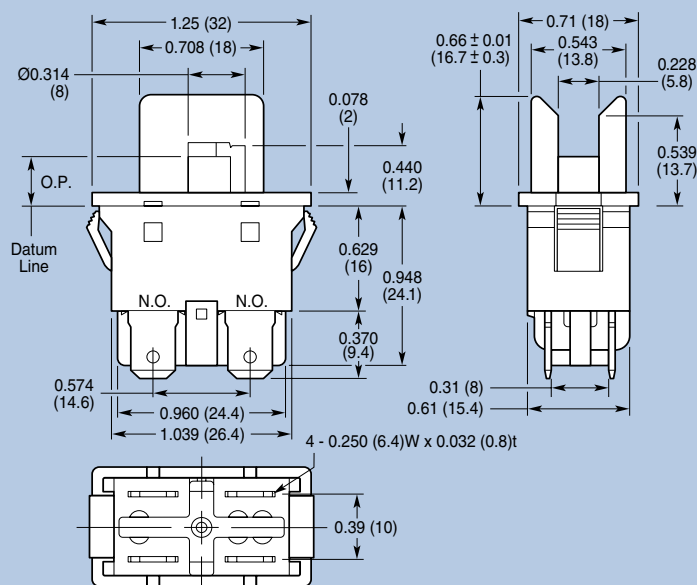
### FA1L - AA22



### FA1L - BA22



### FA1L - CA22



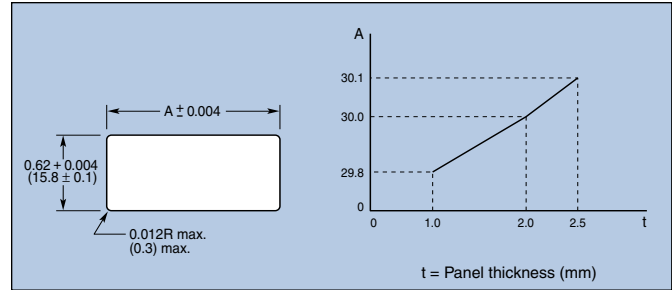
# FA(2) Series

# Two-Circuit Line Interrupt

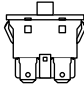
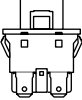
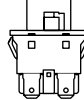
FA Series are 2-Circuit Line Interrupt Switch which meets increasing requirements of small-sized electrical equipment.

They satisfy all requirements needed as interlock switches, world-wide safety approvals, "Double Return Spring Configuration" and 4mm of contact gaps, creepage and clearance distances. Their unique small sizing enables easy location.

## Panel Cutout



## Contacts and Ratings

Ratings				
UL, CNR	VDE, SEMKO, TÜV			
16 amp 125/250VAC 6 amp 30 VDC. 1 amp 50 VDC Silver Alloy Contacts	16 amp(4) 250 VAC			
10.1 amp 125/250 VAC 3 amp 30 VDC Silver Alloy Contacts	10 amp (3) 250 VAC 250 VAC	FA1L – AA22	FA1L – BA22	FA1L – CA22
0.1 amp 125/250 VAC 0.25 amp 30 VDC Silver Alloy Contacts (Gold Plated)	0.1 (0.05) 250 VAC	FA2L – AA22	FA2L – BA22	FA2L – CA22
		FA3L – AA22	FA3L – BA22	FA3L – CA22

( ) : Motor Load

## Electrical Specifications/Life

Mechanical Life	1,000,000 cycles min.
Electrical Life	100,000 cycles min.
Operating Temperature	-25° to +85°C
Flammability Rating	UL94V-O

## Materials

Base/Cover	Thermoplastic Nylon
Actuator Button	Thermoplastic Nylon
Guide	Thermoplastic Nylon
Coil Spring	Stainless Steel
Terminals	FA1, FA2: Copper (Silver Plated) FA3: Copper
Blade	FA1, FA2: Copper (Silver Plated) FA3: Copper
Contact	FA1, FA2: Silver Alloy FA3: Silver Alloy (Gold Plated)

## Specifications

Insulation Resistance	100MΩ min. (500 V DC – 1 minute)
Dielectric Strength	4000 V AC – for 1 minute
Vibration-proof	10-55 Hz (Double amplitude 1.5 mm)
Shock-proof	30 G (6 directions)
Tracking Resistance	400 V min.

# FA(2) Series

# Two-Circuit Line Interrupt

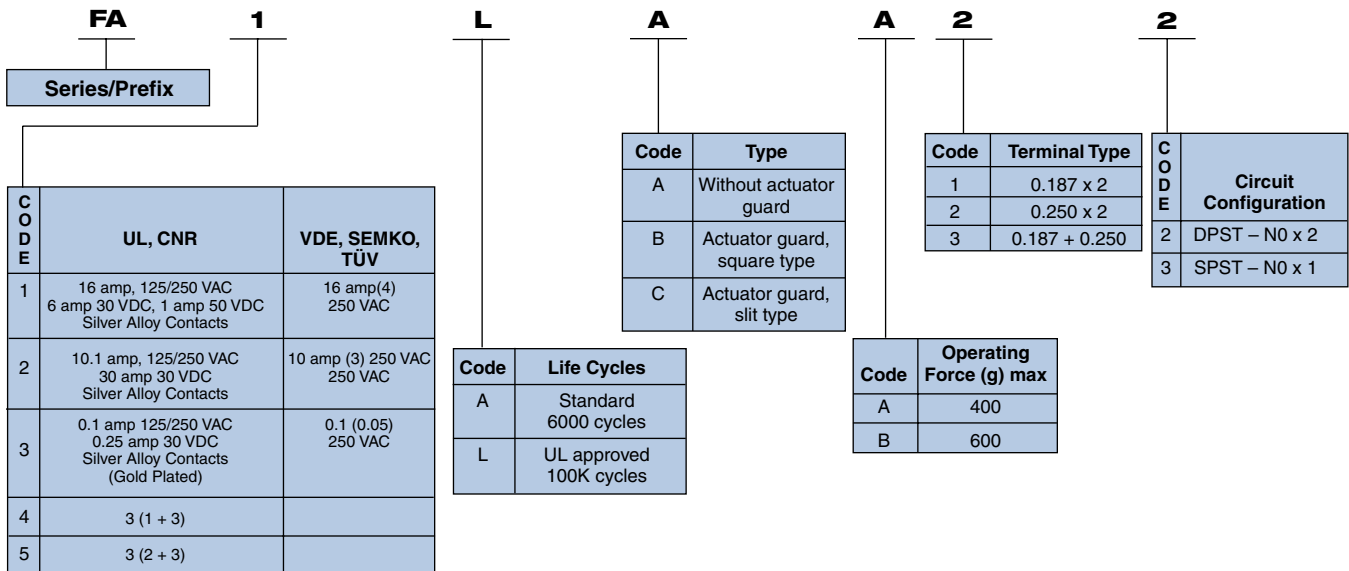
## Operating Characteristics

**Characteristics:** OF – Operating Force, OP – Operating Point, OT – Overtravel, TTF – Total Traveled Force, PT – Pretravel, RP – Rest Position

Switch Types	OF Max. gms.	OP* mm	OT Min. mm	TTF Max. gms.	PT Max. mm	RP* mm
FA □ □ - AA □ □	400	7.2 ±0.5	4.3	700	2.4	9.6 ±0.5
FA □ □ - AB □ □	600	7.2 ±0.5	4.3	1000	2.4	9.6 ±0.5

\* Measured from Datum line. Refer to dimensional drawings on page 6-11.

## Ordering Information



### Nichifu America Connector:

Block: NSW02-4PH

Terminals (4 per block): CSS-66393-F-3 18-22 gauge wire  
CSS-66325-F-3 14-16 gauge wire