

MINI MCR-SL-UI-UI-SP-NC

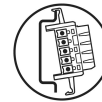
Order No.: 2864163

The illustration shows the versions with screw connection




<http://eshop.phoenixcontact.de/phoenix/treeViewClick.do?UID=2864163>

MCR 3-way isolating amplifier, I/O can be configured via DIP switches, for the electrical isolation of analog signals, with spring-cage connection, standard configuration



Commercial data

GTIN (EAN)	 4 017918 974794
sales group	H520
Pack	1 pcs.
Customs tariff	85437090
Catalog page information	Page 352 (IF-2011)

Product notes

WEEE/RoHS-compliant since:
03/09/2006



<http://www.download.phoenixcontact.com>
Please note that the data given here has been taken from the online catalog. For comprehensive information and data, please refer to the user documentation. The General Terms and Conditions of Use apply to Internet downloads.

Technical data

Input data

Configurable/programmable	Yes, unconfigured
---------------------------	-------------------

Voltage input signal	0 V ... 10 V
	0 V ... 5 V
	1 V ... 5 V
	2 V ... 10 V
Current input signal	0 mA ... 20 mA
	4 mA ... 20 mA
Max. input voltage	30 V
Max. input current	50 mA
Input resistance of voltage input	Approx. 100 k Ω
Input resistance current input	Approx. 50 Ω

Output data

Configurable/programmable	Yes, unconfigured
Voltage output signal	0 V ... 10 V
	0 V ... 5 V
	1 V ... 5 V
	2 V ... 10 V
Current output signal	0 mA ... 20 mA (please indicate if different setting when ordering)
	4 mA ... 20 mA
Max. output voltage	Approx. 12.5 V
Max. output current	28 mA
Load/output load voltage output	≥ 10 k Ω
Load/output load current output	< 500 Ω (at 20 mA)

Power supply

Nominal supply voltage	24 V DC
Supply voltage range	19.2 V DC ... 30 V DC (to bridge the supply voltage, the DIN rail connector (ME 6,2 TBUS-2 1,5/5-ST-3,81 GN, Order No. 2869728) can be used. It can be snapped onto a 35 mm DIN rail according to EN 60715)
Max. current consumption	< 19 mA (Current output, at 24 V DC incl. load)
	< 9 mA (Voltage output, at 24 V DC incl. load)
Power consumption	< 450 mW (Current output)
	< 200 mW (Voltage output)

Connection data

Connection method	Spring-cage conn.
Conductor cross section solid min.	0.2 mm ²

Conductor cross section solid max.	2.5 mm ²
Conductor cross section stranded min.	0.2 mm ²
Conductor cross section stranded max.	2.5 mm ²
Conductor cross section AWG/kcmil min.	24
Conductor cross section AWG/kcmil max	12
Stripping length	8 mm

General data

No. of channels	1
Width	6.2 mm
Height	93.1 mm
Depth	102.5 mm
Maximum transmission error	≤ 0.1 % (of final value)
	< 0.4 % (Without adjustment)
Maximum temperature coefficient	< 0.01 %/K
Temperature coefficient, typical	< 0.002 %/K
Limit frequency (3 dB)	Approx. 100 Hz
Step response (10-90%)	Approx. 3.2 ms
Protective circuit	Transient protection
Ambient temperature (operation)	-20 °C ... 65 °C
Ambient temperature (storage/transport)	-40 °C ... 85 °C
Degree of protection	IP20
Electrical isolation	Basic insulation according to EN 61010
Surge voltage category	II
Pollution degree	2
Rated insulation voltage	50 V AC/DC
Test voltage, input/output/supply	1.5 kV (50 Hz, 1 min.)
Noise emission	EN 61000-6-4
Noise immunity	EN 61000-6-2:2005
Color	green
Housing material	PBT
Mounting position	Any
Assembly instructions	The DIN rail bus connector (TBUS) can be used for bridging the supply voltage. It can be snapped onto a 35 mm EN 60715 DIN rail.
Conformance	CE-compliant
ATEX	Ex II 3 G Ex nA II T4 X

UL, USA / Canada	UL 508 Recognized
	Class I, Div. 2, Groups A, B, C, D T5
GL	GL EMC 2 D

Certificates / Approvals



Certification

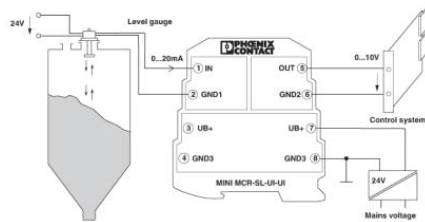
CUL, GL, UL

Certification Ex:

CUL-EX LIS, PxC-EX, UL-EX LIS

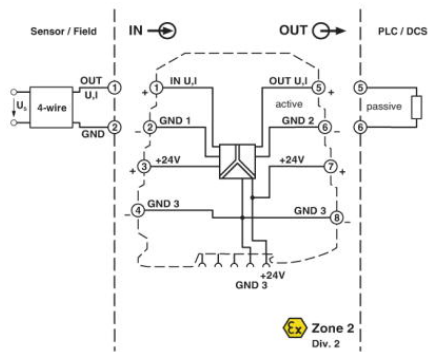
Diagrams/Drawings

Application drawing

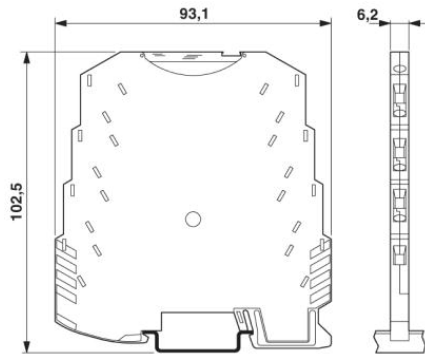


Level measurement

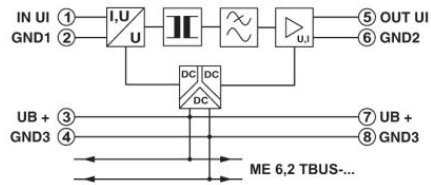
Block diagram



Dimensioned drawing



Circuit diagram



Address

PHOENIX CONTACT Inc., USA
586 Fulling Mill Road
Middletown, PA 17057, USA
Phone (800) 888-7388
Fax (717) 944-1625
<http://www.phoenixcon.com>



© 2011 Phoenix Contact
Technical modifications reserved;