

# G3G225 Series Centrifugal Blower

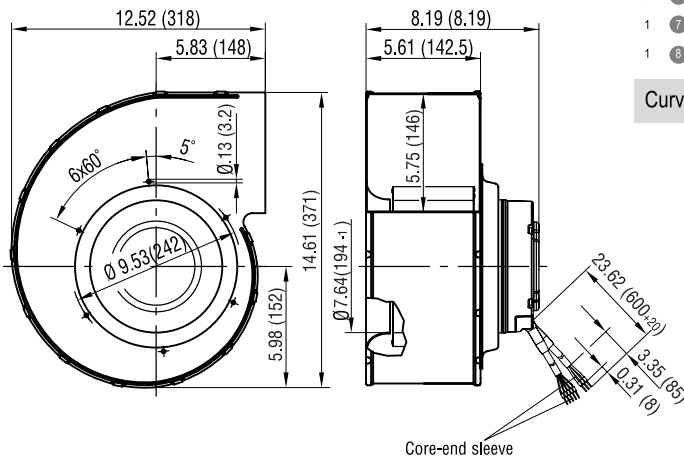
Ø 225mm EC-Systems™



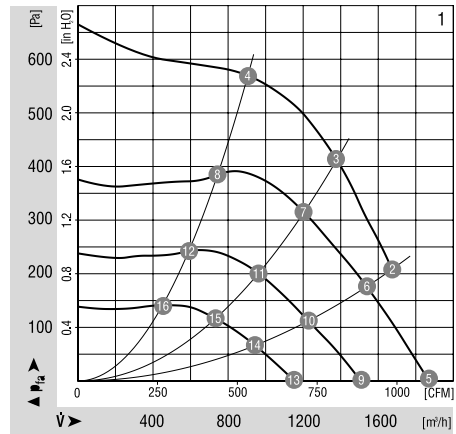
- AC input, single inlet, forward-curved centrifugal blower with integrated electronics.
- Cable exit: variable
- Scroll housing and impeller made of galvanized sheet steel.
- Variable mounting position.
- Direction of rotation is CW as seen from intake side.
- Maintenance-free ball bearings.
- Technical features: integrated electronics, PWM/Linear input, alarm relay.
- UL and CSA approvals on request.

Part Number	Curve	CFM @ 0	VAC	Hertz	Power (W)	dBA	Max Amb. Temp. C	Bearing Type	Features	Wgt. (lbs)
G3G225-AD29-71	1	988.8	200-277	50/60	570	75	60	Ball	Leads	16.54

	n [RPM]	P <sub>1</sub> [W]	I [A]	η <sub>IL</sub> [%]	L <sub>pA</sub> [dBA]		n [RPM]	P <sub>1</sub> [W]	I [A]	η <sub>IL</sub> [%]	L <sub>pA</sub> [dBA]	
1	1	—	—	—	—	1	9	1300	290	1.70	—	71
1	2	1750	560	3.30	51	1	10	1300	225	1.40	51	66
1	3	1830	475	2.80	60	1	11	1300	170	1.10	60	63
1	4	1970	335	2.10	59	1	12	1300	108	0.70	59	61
1	5	1610	570	3.40	—	1	13	1000	140	0.90	—	64
1	6	1610	430	2.50	51	1	14	1000	105	0.70	51	60
1	7	1610	325	1.90	60	1	15	1000	84	0.60	60	56
1	8	1610	195	1.20	59	1	16	1000	55	0.40	59	54



Curve



**ebmpapst**

e-mail: [sales@us.ebmpapst.com](mailto:sales@us.ebmpapst.com) · TEL: 860-674-1515 · FAX: 860-674-8536

ebm-papst Inc., 100 Hyde Road, Farmington, CT 06034 USA

ebm-papst Inc., 2006 © ebm-papst Inc. reserves the right to change any specifications or data without notice