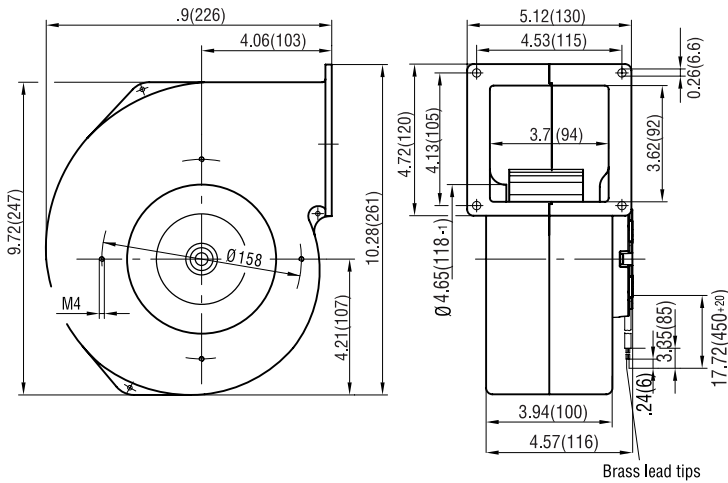


G3G140 Series Centrifugal Blower

Ø 140mm, EC-i

- AC input, single inlet, forward-curved centrifugal blower with integrated electronics.
- Cable exit: variable
- Housing of die-cast aluminium; impeller of galvanized sheet steel.
- Variable mounting position.
- Direction of rotation is CW as seen from intake side.
- Maintenance-free ball bearings.
- Technical features: integrated electronics, PWM/Lin input, speed output.
- UL and CSA approvals on request.

Part Number	Curve	CFM @ 0	VAC	Hertz	Power (W)	dBA	Max Amb. Temp. C	Bearing Type	Features	Wgt. (lbs)
G3G140-AV03-02	1	250.1	230	50/60	65	63	60	Ball	Leads	5.73



	n [RPM]	P _i [W]	η _{LL} [%]	Lp _A [dBA]		n [RPM]	P _i [W]	η _{LL} [%]	Lp _A [dBA]
1	1760	65	—	63	9	1060	14	—	51
1	1870	58	46	62	10	1110	13	46	50
1	2010	49	56	60	11	1210	11	56	47
1	2240	35	48	58	12	1360	8	48	47
1	1410	33	—	58	13	710	4	—	40
1	1500	30	46	56	14	750	4	46	39
1	1600	25	56	54	15	800	3	56	38
1	1790	18	48	53	16	900	3	48	37

Curve

