

# W2E208 Series

Tubeaxial

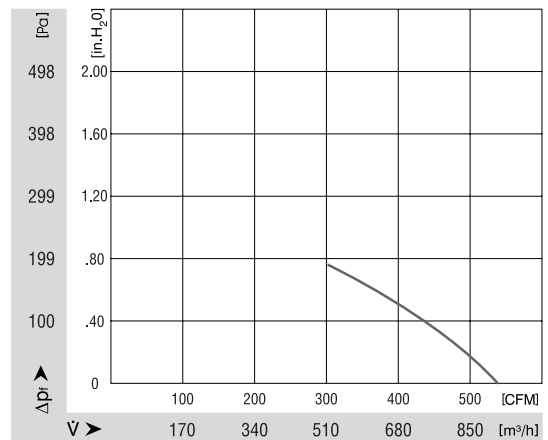
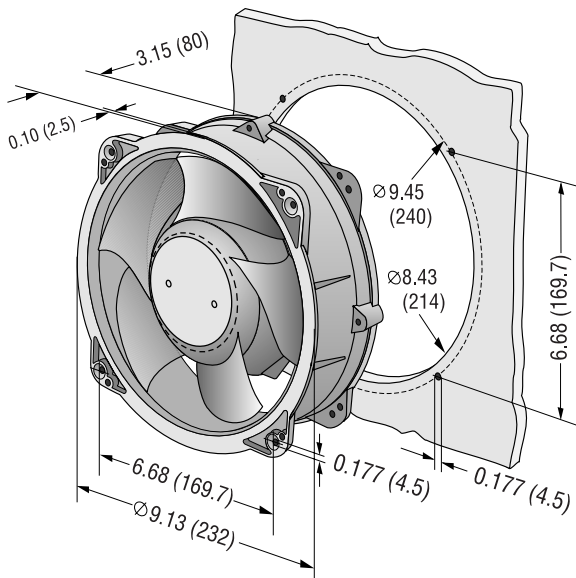
Ø 260X80mm



- AC fans with external rotor shaded-pole motor.
- Die-cast aluminum housing. Impeller of sheet-steel, directly welded onto rotor.
- Air exhaust over struts. Rotational direction CCW looking at rotor.
- Mounting from either face using four 4.3 mm holes.
- Electrical connection via 2 flat pin terminals 2.8 x 0.5 mm.
- Mounting from either face using 2 4.3 mm (.169") holes.
- UL, CSA, VDE approvals on some models, please contact application engineering.

Part Number	Curve	CFM @ 0	VAC	Hertz	Power (W)	dBA	Max Amb. Temp. C	Bearing Type	Features	Wgt. (lbs)
W2E208-BA86-51	1	544	115	60*	87	70	72	Ball	Terminal	6.38
W2E208-BA20-51	1	544	230	60*	87	70	72	Ball	Terminal	6.38

\* 50 Hz data available upon request



**ebmpapst**