

# W1G200 Series

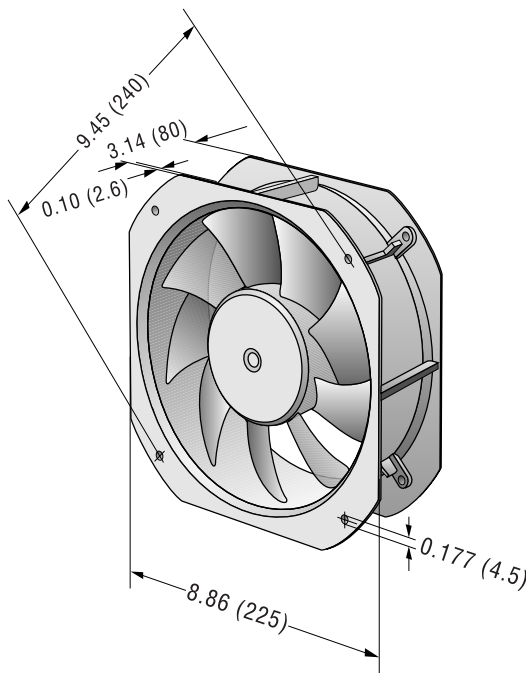
Tubeaxial

225x225x80mm



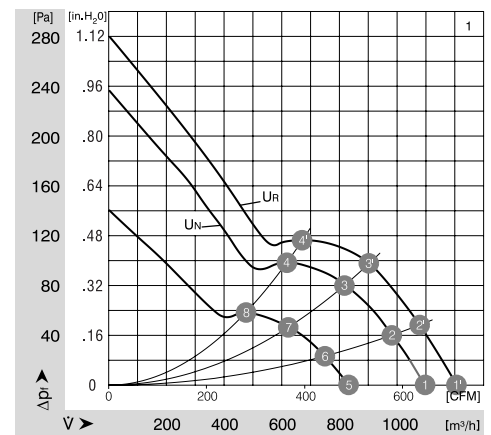
- DC fans with electronically commutated external rotor motor. Fully integrated commutation electronics.
- Maintenance-free ball bearings.
- Mounting from either face using four 4.5 mm holes.
- Die-cast aluminum housing. Rotor with metal blades stove-enameled in black.
- Air exhaust over struts. Rotational direction CCW looking at rotor.
- Connecting leads with terminal strip.
- UL, CSA, VDE approvals on some models, please contact application engineering.

Part Number	Curve	CFM @ 0	VDC	Volt. Range	Power (W)	dBA	Max Amb. Temp C	Bearing Type	Features	Wgt. (lbs)
W1G200-HH77-52	1	641.6	24	16 to 28	55.0	60	60	Ball	Terminal Strip	4.63
W1G200-HH01-52	1	591.5	48	36 to 57	45.0	60	60	Ball	Terminal Strip	4.63



	N [RPM]	P <sub>1</sub> [W]	η <sub>v</sub> [%]	L <sub>DA</sub> [dBA]
1 ①	2300	73	-	63
1 ②	2970	77	67	62
1 ③	3100	80	64	63
1 ④	2970	80	54	66
1 ①	2950	55	-	60
1 ②	2890	58	67	60
1 ③	2800	61	64	61
1 ④	2780	63	54	64
1 ⑤	2270	27	-	55
1 ⑥	2230	28	67	54
1 ⑦	2170	29	64	54
1 ⑧	2130	30	54	57

Curve



**ebmpapst**

e-mail: [sales@us.ebmpapst.com](mailto:sales@us.ebmpapst.com) · TEL: 860-674-1515 · FAX: 860-674-8536

ebm-papst Inc., 100 Hyde Road, Farmington, CT 06034 USA

ebm-papst Inc., 2006 © ebm-papst Inc. reserves the right to change any specifications or data without notice