

# D1G133 Series Centrifugal Blower

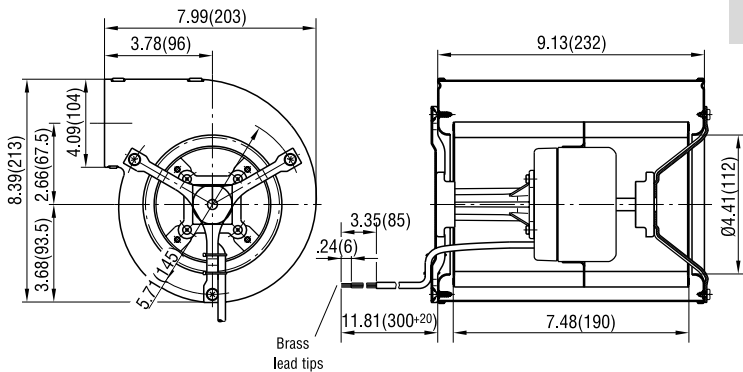
Ø 133mm



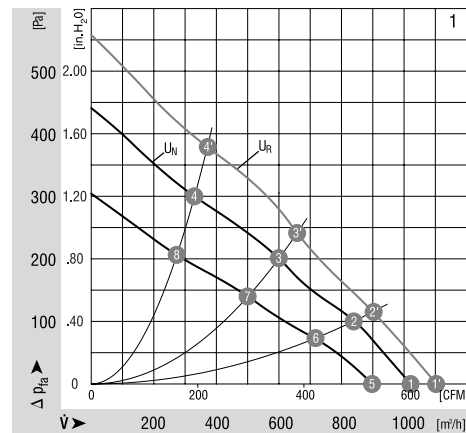
- DC dual inlet, forward curved centrifugal blower. Reverse polarity and locked-rotor protection.
- Housing and impeller made of galvanised sheet-steel. Forward curved impellers are directly press-fitted onto the rotor of the external-rotor motor.
- Direction of rotation is CW as seen on rotor.
- Includes support bearing. An Integrated external-rotor motor with rotating shaft on rotor side is anti-vibration mounted via a third bearing and fixed on both sides of the scroll.
- UL, CSA, VDE approvals on most models, please contact application engineering.

Part Number	Curve	CFM @ 0	VDC	Volt. Range	Power (W)	dBA	Max Amb. Temp C	Speed (RPM)	Wgt. (lbs)
D1G133-DC13-52	1	600.4	24	16 to 28	118	64	60	1580	7.50
D1G133-DC17-52	1	600.4	48	36 to 57	118	64	60	1580	7.50

	n [RPM]	P <sub>1</sub> [kW]	η <sub>HL</sub> [%]	Lp <sub>A</sub> [dBA]		n [RPM]	P <sub>1</sub> [kW]	η <sub>HL</sub> [%]	Lp <sub>A</sub> [dBA]
1	① 1700	145	—	65	1	⑤ 1400	78	—	60
1	② 1930	133	38	62	1	⑥ 1580	70	38	56
1	③ 2290	122	41	59	1	⑦ 1760	56	41	53
1	④ 2700	99	32	61	1	⑧ 2000	44	32	53
1	① 1580	118	—	64					
1	② 1790	107	38	61					
1	③ 2100	95	41	57					
1	④ 2410	73	32	58					



Curve



**ebmpapst**

e-mail: [sales@us.ebmpapst.com](mailto:sales@us.ebmpapst.com) · TEL: 860-674-1515 · FAX: 860-674-8536

ebm-papst Inc., 100 Hyde Road, Farmington, CT 06034 USA

ebm-papst Inc., 2006 © ebm-papst Inc. reserves the right to change any specifications or data without notice