

4600TA Series

Tubeaxial



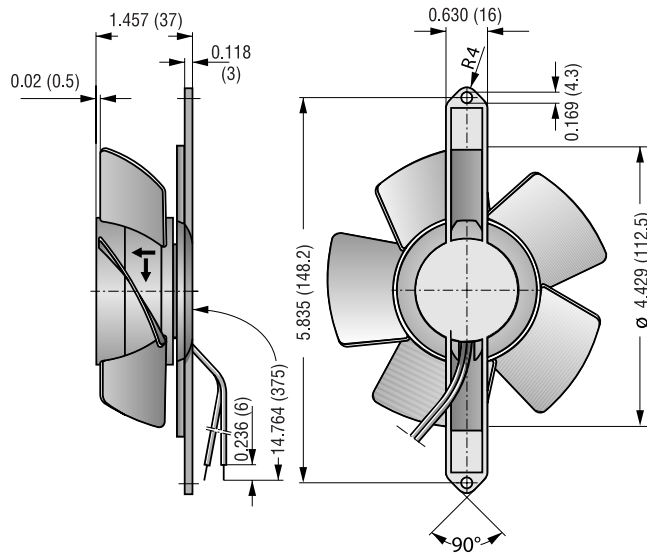
Ø 113x37mm

- AC fans with external rotor shaded-pole motor. Impedance protected against overloading.
- Impeller and mounting bracket of metal.
- Air exhaust over mounting bracket. Rotational direction CW looking at rotor.
- Mounting from either face using two 4.3 mm holes.
- Electrical connection via 2 leads. Stripped and tinned ends.
- UL, CSA, VDE approvals on some models, please contact application engineering.

Part Number	CFM @ 0	VAC	Hertz	Power (W)	dBA	Max. Amb. Temp. C	Bearing Type	Speed (RPM)	Features	Wgt. (lbs)
4650TA	81.2	230	50	19	41	45	Sintec	2550	Leads	0.95
4656TA	81.2	230	50	19	42	75	Ball	2550	Leads	0.95
4600TA	86.5	115	60	18	43	50	Sintec	2900	Leads	0.95
4606TA	86.5	115	60	18	44	80	Ball	2900	Leads	0.95

The air flow and noise level of fans without external housing depends on the installation conditions. The stated air flow and noise has been measured with an orifice 109 mm Ø at a distance of approx. 17 mm from the mounting bracket. Under exceptionally favourable mounting conditions, the air flow of fan series 4600N is achievable. The noise in the optimal operating range can only be measured for these fans in a specific application.

Fan Type		Lead Wires
4650 TA	4600 TA	AWG 22, TR 32
4656 TA	4606 TA	AWG 18



ebmpapst

e-mail: sales@us.ebmpapst.com · TEL: 860-674-1515 · FAX: 860-674-8536

ebm-papst Inc., 100 Hyde Road, Farmington, CT 06034 USA

ebm-papst Inc., 2006 © ebm-papst Inc. reserves the right to change any specifications or data without notice